

# Series 04

## Characteristics

The modular 22.5 mm Series 04 is especially suited for:

- Flush design
- Raised design

The modular design caters to a broad range of applications and combinations.

Owing to its robust, user-friendly design, this series is ideally suited for rail vehicles.

## Functions

The Series 04 incorporates the following functions:

- Indicator
- Pushbutton
- Illuminated pushbutton
- E-STOP switch
- Stop switch
- Mushroom-head pushbutton
- Key lock switch
- Key insert switch
- Selector switch
- Lever switch
- Potentiometer

## Market segments

The EAO Series 04 is especially suited for applications in the segments:

- Public transportation
- Machinery and Automation
- Construction machines and special-purpose vehicles
- Lifting and moving
- Panel building

Please refer to the EAO website to obtain detailed information regarding this series [www.products.eao.com](http://www.products.eao.com)  
Configure a product to your exact needs and request a quotation.





**Overview****Flush design**

Indicator	4
Flasher	8
Buzzer	12
Pushbutton	13
Illuminated pushbutton	17
Stop switch	21
Mushroom-head pushbutton	22
Keylock switch	23
Selector switch	27
Selector rotary switch	46
Keylock rotary switch	50
Key insert switch	51
Lever switch	54
Potentiometer	55

**Raised design**

Indicator	56
Flasher	66
Buzzer	74
Pushbutton	75
Illuminated pushbutton	80
Emergency-stop switch	85
Stop switch	86
Mushroom-head pushbutton	87
Keylock switch	90
Selector switch	94
Selector rotary switch	114
Potentiometer	118

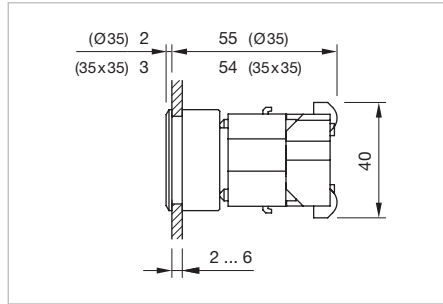
**Accessories 119****Drawings 168****Technical data 169****Marking 179****Application guidelines 184****Index 185**

# 04 Flush design

## Indicator, IP65

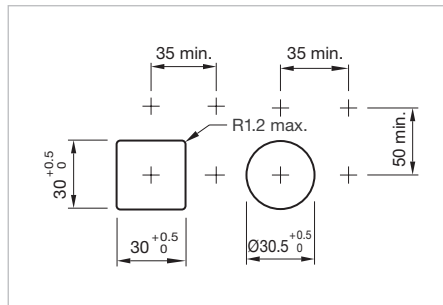


Product can differ from the current configuration.

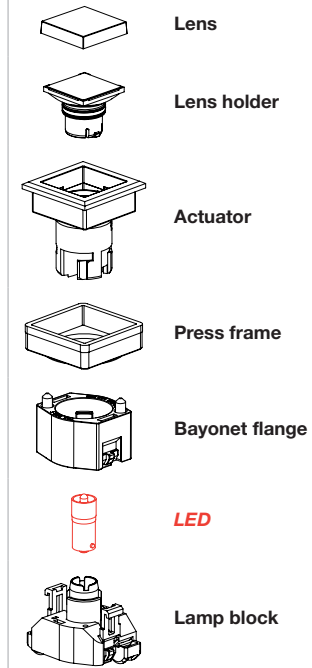


### Additional Information

- Housing plastic black
- The colour of anodized aluminium parts can vary due to technical production reasons






### Equipment consisting of (schematic overview)

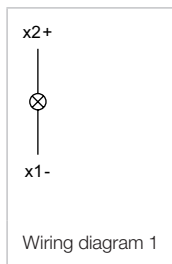


Each Part Number listed below includes all the black components shown in the 3D-drawing.

*To obtain a complete unit, please select the red components from the pages shown.*

Front ring	Front bezel	Lens	Terminal	Part No.	Wiring diagram	Weight
	<b>Indicator actuator, Front dimension 35 x 35 mm</b>					
	Plastic black	Plastic red	Screw	<b>704.206.200</b>	1	0.061 kg
		Plastic yellow	Screw	<b>704.206.400</b>	1	0.061 kg
		Plastic green	Screw	<b>704.206.500</b>	1	0.061 kg
		Plastic blue	Screw	<b>704.206.600</b>	1	0.061 kg
		Plastic colourless	Screw	<b>704.206.700</b>	1	0.061 kg
	<b>Indicator actuator, Front dimension 35 x 35 mm</b>					
	Plastic silver	Plastic red	Screw	<b>704.202.208</b>	1	0.061 kg
		Plastic yellow	Screw	<b>704.202.408</b>	1	0.061 kg
		Plastic green	Screw	<b>704.202.508</b>	1	0.061 kg
		Plastic blue	Screw	<b>704.202.608</b>	1	0.061 kg
		Plastic colourless	Screw	<b>704.202.708</b>	1	0.061 kg

Front ring	Front bezel	Lens	Terminal	Part No.	Wiring diagram	Weight
 <p><b>Indicator actuator, Front dimension Ø 35 mm</b></p>						
Aluminium natural anodized		Plastic red	Screw	<b>704.006.218</b>	1	0.061 kg
		Plastic yellow	Screw	<b>704.006.418</b>	1	0.061 kg
		Plastic green	Screw	<b>704.006.518</b>	1	0.061 kg
		Plastic blue	Screw	<b>704.006.618</b>	1	0.061 kg
		Plastic colourless	Screw	<b>704.006.718</b>	1	0.061 kg

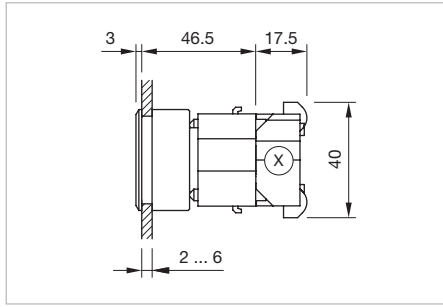


# 04 Flush design

## Indicator square, IP65



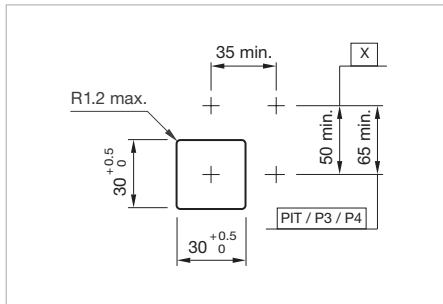
Product can differ from the current configuration.



Dimensions [mm]  
X = Screw terminal

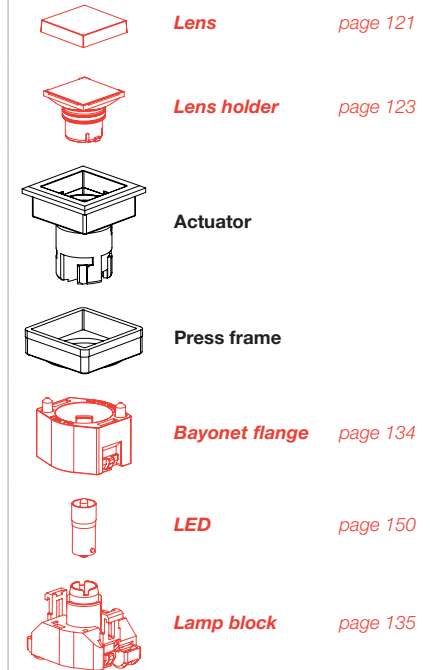
### Additional Information

- Housing plastic black
- Other terminal options from the part lamp block see «Accessories»



Mounting cut-outs [mm]  
PIT = Push-in terminal,  
P3 = Plug-in terminal 6.3 x 0.8 mm,  
P4 = Double plug-in terminal 6.3 x 0.8 mm,  
X = Screw terminal

### Equipment consisting of (schematic overview)



Each Part Number listed below includes all the black components shown in the 3D-drawing.

*To obtain a complete unit, please select the red components from the pages shown.*

Front bezel	Part No.	Weight
 <p><b>Indicator actuator square, flush design, Front dimension 35 x 35 mm</b></p>		
Plastic black	<b>704.743.0</b>	0.020 kg
Plastic silver	<b>704.743.8</b>	0.020 kg

## Indicator round, IP65

### Equipment consisting of (schematic overview)



**Front bezel set** page 126



**Lens** page 121



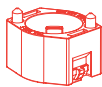
**Marking plate** page 124



**Actuator**



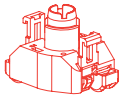
**Part of front bezel set**



**Bayonet flange** page 134



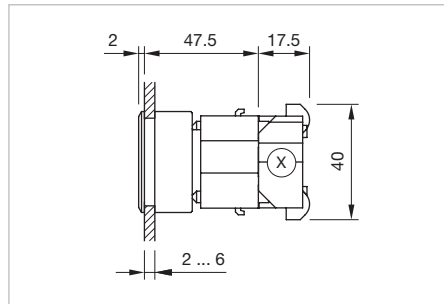
**LED** page 150



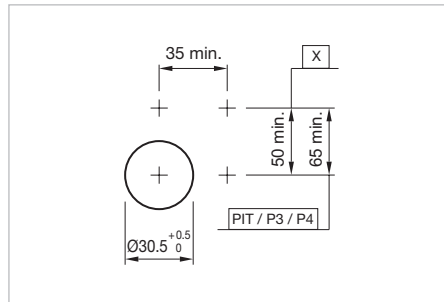
**Lamp block** page 135

Each Part Number listed below includes all the black components shown in the 3D-drawing.

To obtain a complete unit, please select the red components from the pages shown.



Dimensions [mm]  
X = Screw terminal



Mounting cut-outs [mm]  
PIT = Push-in terminal,  
P3 = Plug-in terminal 6.3 x 0.8 mm,  
P4 = Double plug-in terminal 6.3 x 0.8 mm,  
X = Screw terminal



Product can differ from the current configuration.

### Additional Information

- For front dimension  $\varnothing$  35 mm
- Housing plastic grey
- Lens flat or raised possible; equal choose marking plate or marking cap
- Other terminal options from the part lamp block see «Accessories»

Part No.

Weight



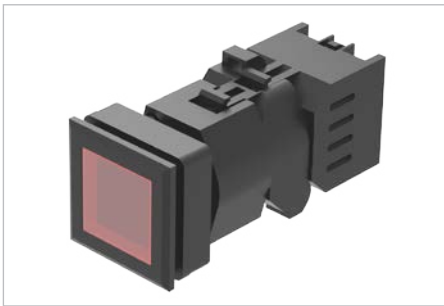
**Indicator actuator round**

704.633.1

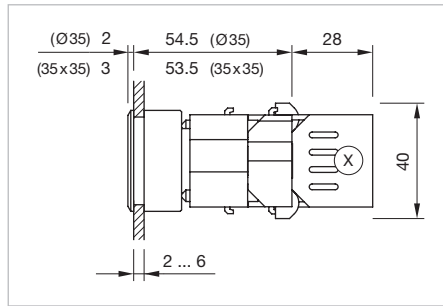
0.020 kg

# 04 Flush design

## Flasher, IP65



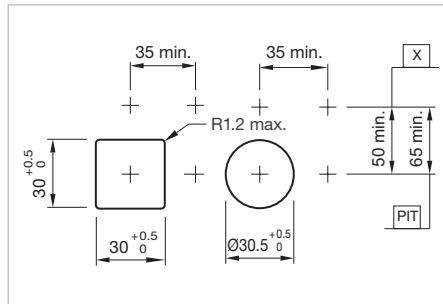
Product can differ from the current configuration.



Dimensions [mm]  
X = Screw terminal

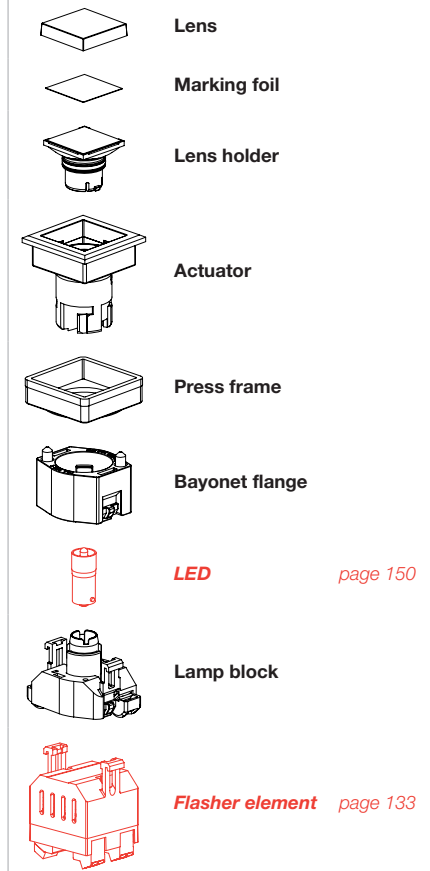
### Additional Information

- Housing plastic black
- The lamp block will be delivered with screw terminal
- Other terminal options of the part flasher element see «Accessories»
- The colour of anodized aluminium parts can vary due to technical production reasons





Mounting cut-outs [mm]  
PIT = Push-in terminal,  
X = Screw terminal

### Equipment consisting of (schematic overview)




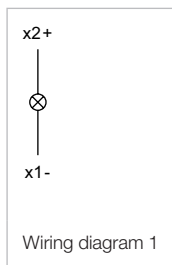
Each Part Number listed below includes all the black components shown in the 3D-drawing.

To obtain a complete unit, please select the red components from the pages shown.

Front ring	Front bezel	Lens	Part No.	Wiring diagram	Weight
 <p><b>Flasher actuator, Front dimension 35 x 35 mm</b></p>	Plastic black	Plastic red	<b>704.206.200</b>	1	0.061 kg
		Plastic yellow	<b>704.206.400</b>	1	0.061 kg
		Plastic green	<b>704.206.500</b>	1	0.061 kg
		Plastic blue	<b>704.206.600</b>	1	0.061 kg
		Plastic colourless	<b>704.206.700</b>	1	0.061 kg
		 <p><b>Flasher actuator, Front dimension 35 x 35 mm</b></p>	Plastic silver	Plastic red	<b>704.202.208</b>
Plastic yellow	<b>704.202.408</b>			1	0.061 kg
Plastic green	<b>704.202.508</b>			1	0.061 kg
Plastic blue	<b>704.202.608</b>			1	0.061 kg
Plastic colourless	<b>704.202.708</b>			1	0.061 kg

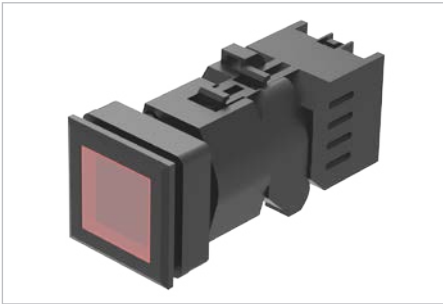


Front ring	Front bezel	Lens	Part No.	Wiring diagram	Weight
 <p><b>Flasher actuator, Front dimension Ø 35 mm</b></p>					
Aluminium natural anodized		Plastic red	<b>704.006.218</b>	1	0.061 kg
		Plastic yellow	<b>704.006.418</b>	1	0.061 kg
		Plastic green	<b>704.006.518</b>	1	0.061 kg
		Plastic blue	<b>704.006.618</b>	1	0.061 kg
		Plastic colourless	<b>704.006.718</b>	1	0.061 kg

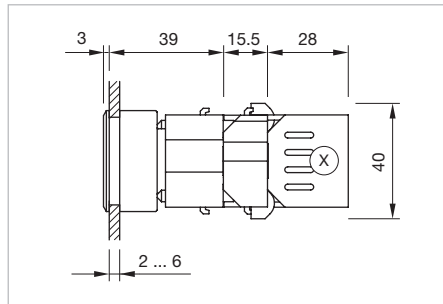


# 04 Flush design

## Flasher square, IP65



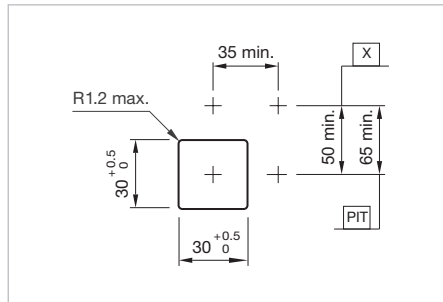
Product can differ from the current configuration.



Dimensions [mm]  
X = Screw terminal

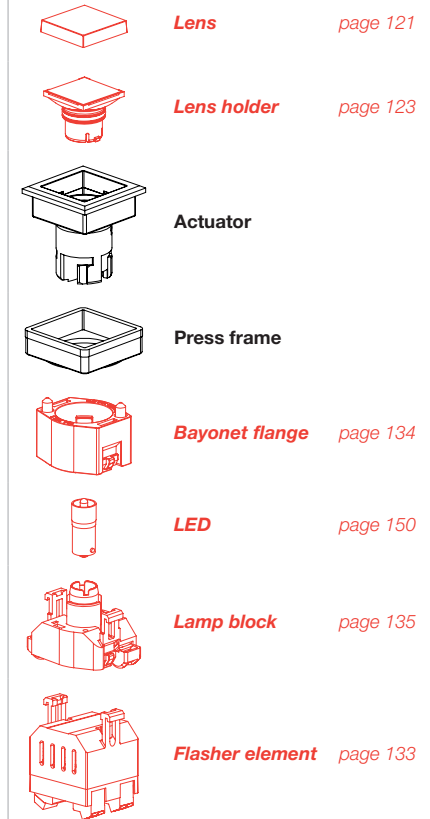
### Additional Information

- Housing plastic black
- Other terminal options from the part flasher element and lamp block see «Accessories»




Mounting cut-outs [mm]  
PIT = Push-in terminal,  
X = Screw terminal

### Equipment consisting of (schematic overview)



Each Part Number listed below includes all the black components shown in the 3D-drawing.

To obtain a complete unit, please select the red components from the pages shown.

Front bezel	Part No.	Weight
 <p><b>Flasher actuator square, Front dimension 35 x 35 mm</b></p>		
Plastic black	<b>704.743.0</b>	0.020 kg
Plastic silver	<b>704.743.8</b>	0.020 kg

## Flasher round, IP65

### Equipment consisting of (schematic overview)



**Front bezel set** page 126



**Lens** page 121



**Marking plate** page 124



**Actuator**



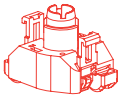
**Part of front bezel set**



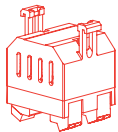
**Bayonet flange** page 134



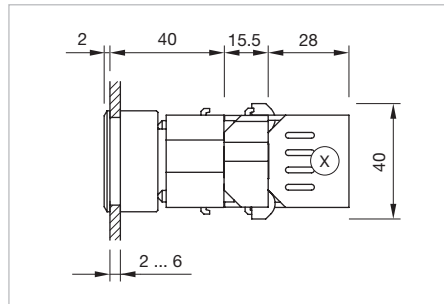
**LED** page 150



**Lamp block** page 135



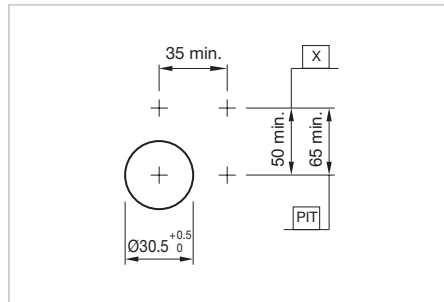
**Flasher element** page 133



Dimensions [mm]  
X = Screw terminal



Product can differ from the current configuration.




Mounting cut-outs [mm]  
PIT = Push-in terminal,  
X = Screw terminal

### Additional Information

- For front dimension  $\varnothing$  35 mm
- Housing plastic grey
- Lens flat or raised possible; equal choose marking plate or marking cap
- Other terminal options from the part flasher element and lamp block see «Accessories»

Each Part Number listed below includes all the black components shown in the 3D-drawing.

To obtain a complete unit, please select the red components from the pages shown.

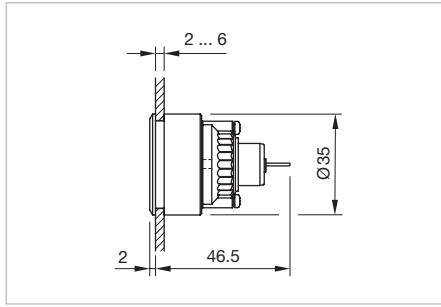
Part No.	Weight
 <p><b>Flasher actuator round</b></p>	
704.633.1	0.020 kg

# 04 Flush design

## Buzzer, IP 40

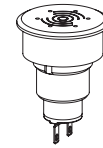


Product can differ from the current configuration.



Dimensions [mm]

### Equipment consisting of (schematic overview)



Buzzer



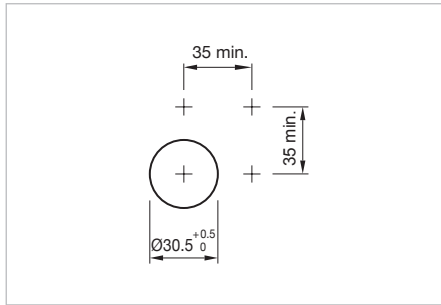
Pressure ring



Fixing nut

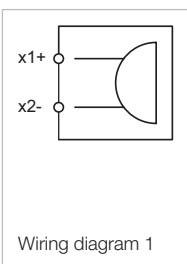
Each Part Number listed below includes all the black components shown in the 3D-drawing.

- Additional Information**
- Further information see «Technical data»
  - The colour of anodized aluminium parts can vary due to technical production reasons



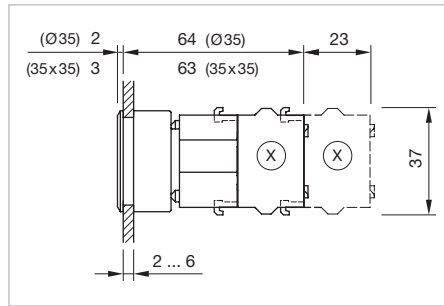
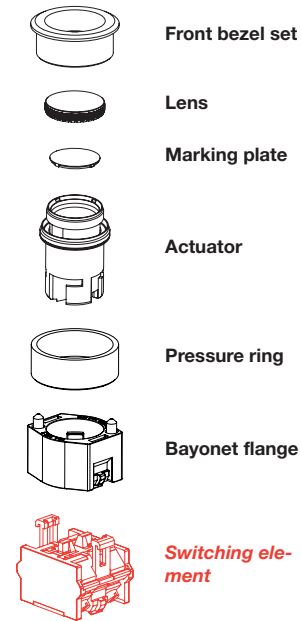
Mounting cut-outs [mm]

Operating voltage	Front cap	Terminal	Part No.	Wiring diagram	Weight
24 VDC	Aluminium black anodized	Solder 2.8 x 0.5 mm	<b>14-810.910</b>	1	0.016 kg
	Aluminium natural anodized	Solder 2.8 x 0.5 mm	<b>14-810.918</b>	1	0.016 kg



## Pushbutton, IP65

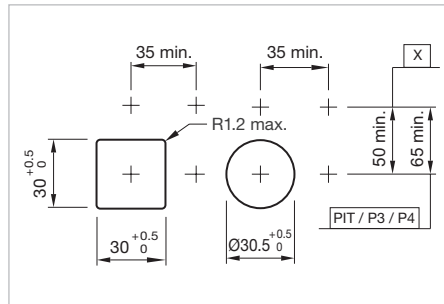
### Equipment consisting of (schematic overview)



Dimensions [mm]  
X = Screw terminal



Product can differ from the current configuration.




Mounting cut-outs [mm]  
PIT = Push-in terminal,  
P3 = Plug-in terminal 6.3 x 0.8 mm,  
P4 = Double plug-in terminal 6.3 x 0.8 mm,  
X = Screw terminal

### Additional Information

- Other terminal options from the part switching element see «Accessories»
- The colour of anodized aluminium parts can vary due to technical production reasons
- Max. 3 switching elements can be clipped on

Each Part Number listed below includes all the black components shown in the 3D-drawing.

To obtain a complete unit, please select the red components from the pages shown.

Housing	Front ring	Front bezel	Lens	Switching action	Part No.	Wiring diagram	Weight
 <b>Pushbutton actuator, Front dimension 35 x 35 mm</b>							
Plastic black		Plastic black	Plastic black	B	<b>704.209.000</b>	1	0.051 kg
			Plastic red	B	<b>704.209.200</b>	1	0.051 kg
			Plastic yellow	B	<b>704.209.400</b>	1	0.051 kg
			Plastic green	B	<b>704.209.500</b>	1	0.051 kg
			Plastic blue	B	<b>704.209.600</b>	1	0.051 kg
			Plastic colourless	B	<b>704.209.700</b>	1	0.051 kg
		Plastic silver	Plastic black	B	<b>704.210.008</b>	1	0.051 kg
			Plastic red	B	<b>704.210.208</b>	1	0.051 kg
			Plastic yellow	B	<b>704.210.408</b>	1	0.051 kg
			Plastic green	B	<b>704.210.508</b>	1	0.051 kg
			Plastic blue	B	<b>704.210.608</b>	1	0.051 kg
			Plastic colourless	B	<b>704.210.708</b>	1	0.051 kg
		Plastic black	Plastic black	C	<b>704.239.000</b>	2	0.051 kg
			Plastic red	C	<b>704.239.200</b>	2	0.051 kg
			Plastic yellow	C	<b>704.239.400</b>	2	0.051 kg
			Plastic blue	C	<b>704.239.600</b>	2	0.051 kg
		Plastic colourless	C	<b>704.239.700</b>	2	0.051 kg	

# 04 Flush design

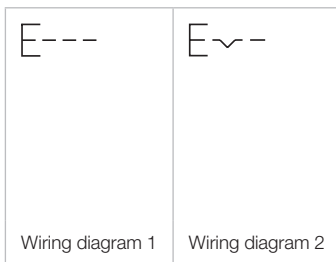
Housing	Front ring	Front bezel	Lens	Switching action	Part No.	Wiring diagram	Weight
Plastic black		Plastic silver	Plastic red	C	<b>704.240.208</b>	2	0.051 kg
			Plastic yellow	C	<b>704.240.408</b>	2	0.051 kg
			Plastic green	C	<b>704.240.508</b>	2	0.051 kg
			Plastic colourless	C	<b>704.240.708</b>	2	0.051 kg



## Pushbutton actuator, Front dimension Ø 35 mm

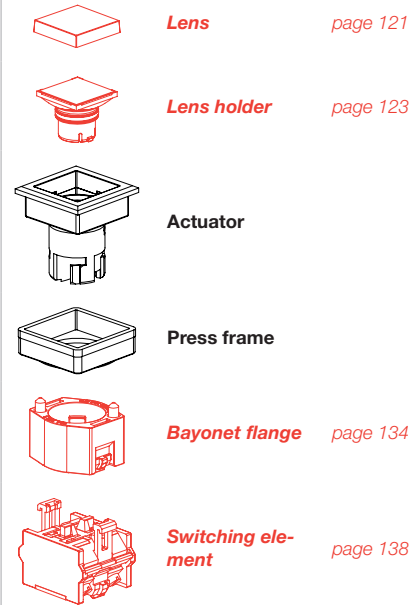
Plastic grey	Aluminium natural anodized	Aluminium black anodized	B	<b>704.011.018</b>	1	0.051 kg
		Aluminium red anodized	B	<b>704.011.218</b>	1	0.051 kg
		Aluminium gold anodized	B	<b>704.011.418</b>	1	0.051 kg
		Aluminium olive-green anodized	B	<b>704.011.518</b>	1	0.051 kg
		Aluminium blue anodized	B	<b>704.011.618</b>	1	0.051 kg
		Aluminium natural anodized	B	<b>704.011.818</b>	1	0.051 kg
		Plastic black	B	<b>704.012.018</b>	1	0.051 kg
		Plastic red	B	<b>704.012.218</b>	1	0.051 kg
		Plastic yellow	B	<b>704.012.418</b>	1	0.051 kg
		Plastic green	B	<b>704.012.518</b>	1	0.051 kg
		Plastic blue	B	<b>704.012.618</b>	1	0.051 kg
		Plastic colourless	B	<b>704.012.718</b>	1	0.051 kg
		Plastic black	C	<b>704.042.018</b>	2	0.051 kg
		Plastic red	C	<b>704.042.218</b>	2	0.051 kg
		Plastic yellow	C	<b>704.042.418</b>	2	0.051 kg
		Plastic green	C	<b>704.042.518</b>	2	0.051 kg
		Plastic blue	C	<b>704.042.618</b>	2	0.051 kg
		Plastic colourless	C	<b>704.042.718</b>	2	0.051 kg

Switching action : B = Momentary, C = Maintain



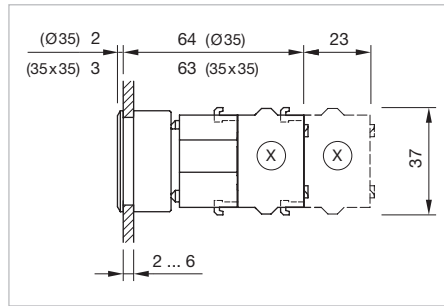
## Pushbutton square, IP65

### Equipment consisting of (schematic overview)

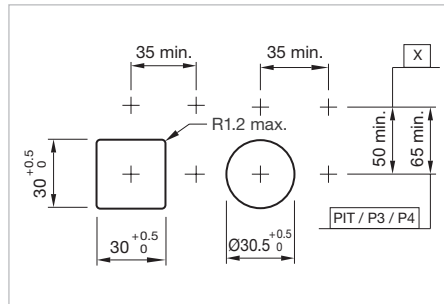


Each Part Number listed below includes all the black components shown in the 3D-drawing.

To obtain a complete unit, please select the red components from the pages shown.



Dimensions [mm]  
X = Screw terminal




Mounting cut-outs [mm]  
PIT = Push-in terminal,  
P3 = Plug-in terminal 6.3 x 0.8 mm,  
P4 = Double plug-in terminal 6.3 x 0.8 mm,  
X = Screw terminal



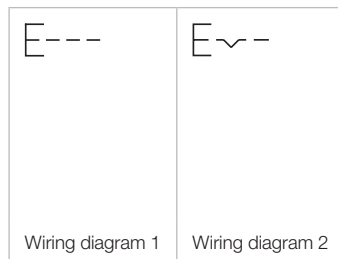
Product can differ from the current configuration.

### Additional Information

- Housing plastic black
- Other terminal options from the part switching element see «Accessories»
- Max. 3 switching elements can be clipped on

Front bezel	Switching action	Part No.	Wiring diagram	Weight
	<b>Pushbutton actuator square, Front dimension 35 x 35 mm</b>			
Plastic black	B	<b>704.741.0</b>	1	0.020 kg
Plastic silver	B	<b>704.741.8</b>	1	0.020 kg
Plastic black	C	<b>704.742.0</b>	2	0.020 kg
Plastic silver	C	<b>704.742.8</b>	2	0.020 kg

Switching action : B = Momentary, C = Maintain

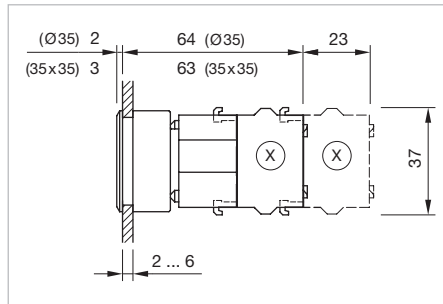


# 04 Flush design

## Pushbutton round, IP65



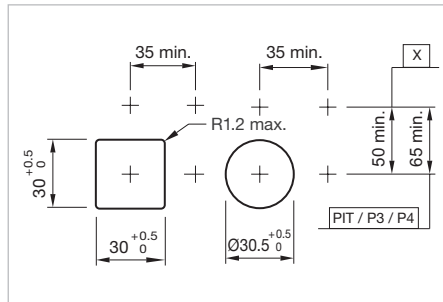
Product can differ from the current configuration.



Dimensions [mm]  
X = Screw terminal

### Additional Information

- For front dimension Ø 35 mm
- Metal lens to be ordered with marking plates
- Housing plastic grey
- Other terminal options from the part switching element see «Accessories»
- Max. 3 switching elements can be clipped on



Mounting cut-outs [mm]  
PIT = Push-in terminal,  
P3 = Plug-in terminal 6.3 x 0.8 mm,  
P4 = Double plug-in terminal 6.3 x 0.8 mm,  
X = Screw terminal

### Equipment consisting of (schematic overview)



**Front bezel set** page 126



**Lens** page 121



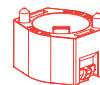
**Marking plate** page 124



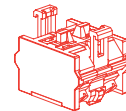
**Actuator**



**Part of front bezel set**




**Bayonet flange** page 134



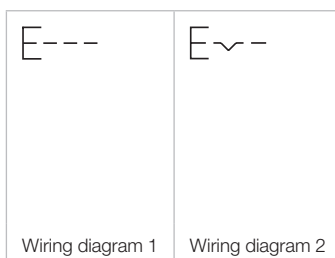
**Switching element** page 138

Each Part Number listed below includes all the black components shown in the 3D-drawing.

*To obtain a complete unit, please select the red components from the pages shown.*

Switching action	Part No.	Wiring diagram	Weight
 <p><b>Pushbutton actuator round</b></p>	<b>704.631.1</b>	1	0.009 kg
	<b>704.632.1</b>	2	0.009 kg

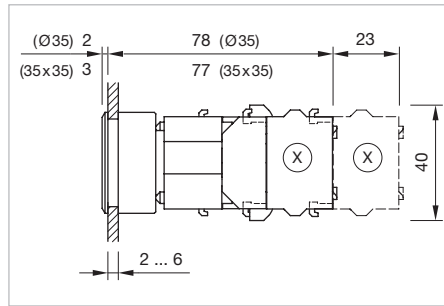
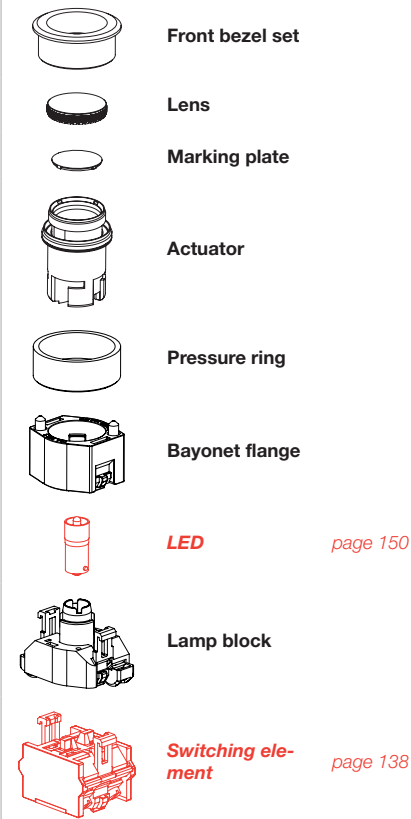
Switching action : B = Momentary, C = Maintain





## Illuminated pushbutton, IP65

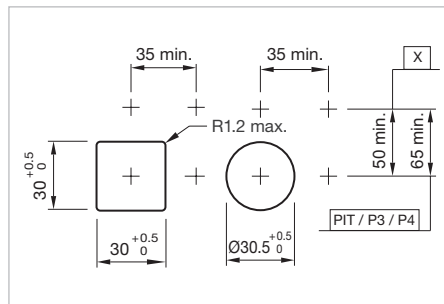
### Equipment consisting of (schematic overview)



Dimensions [mm]  
X = Screw terminal



Product can differ from the current configuration.




Mounting cut-outs [mm]  
PIT = Push-in terminal,  
P3 = Plug-in terminal 6.3 x 0.8 mm,  
P4 = Double plug-in terminal 6.3 x 0.8 mm,  
X = Screw terminal

### Additional Information


- The lamp block will be delivered with screw terminal
- Other terminal options from the part switching element see «Accessories»
- The colour of anodized aluminium parts can vary due to technical production reasons
- Max. 3 switching elements can be clipped on

Each Part Number listed below includes all the black components shown in the 3D-drawing.

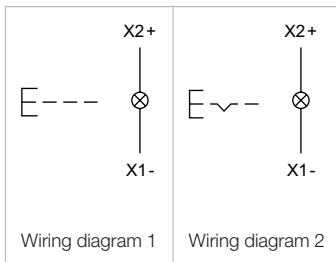
To obtain a complete unit, please select the red components from the pages shown.

Housing	Front ring	Front bezel	Lens	Switching action	Part No.	Wiring diagram	Weight
							
<b>Illuminated pushbutton actuator, Front dimension 35 x 35 mm</b>							
Plastic black		Plastic black	Plastic red	B	<b>704.229.200</b>	1	0.051 kg
			Plastic yellow	B	<b>704.229.400</b>	1	0.051 kg
			Plastic green	B	<b>704.229.500</b>	1	0.051 kg
			Plastic blue	B	<b>704.229.600</b>	1	0.051 kg
			Plastic colourless	B	<b>704.229.700</b>	1	0.051 kg
		Plastic silver	Plastic red	B	<b>704.230.208</b>	1	0.051 kg
			Plastic yellow	B	<b>704.230.408</b>	1	0.051 kg
			Plastic green	B	<b>704.230.508</b>	1	0.051 kg
			Plastic blue	B	<b>704.230.608</b>	1	0.051 kg
			Plastic colourless	B	<b>704.230.708</b>	1	0.051 kg
		Plastic black	Plastic red	C	<b>704.259.200</b>	2	0.051 kg
			Plastic yellow	C	<b>704.259.400</b>	2	0.051 kg
			Plastic green	C	<b>704.259.500</b>	2	0.051 kg
			Plastic blue	C	<b>704.259.600</b>	2	0.051 kg
			Plastic colourless	C	<b>704.259.700</b>	2	0.051 kg

# 04 Flush design

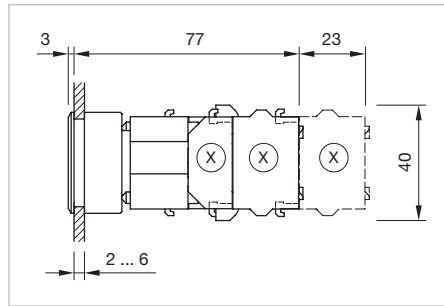
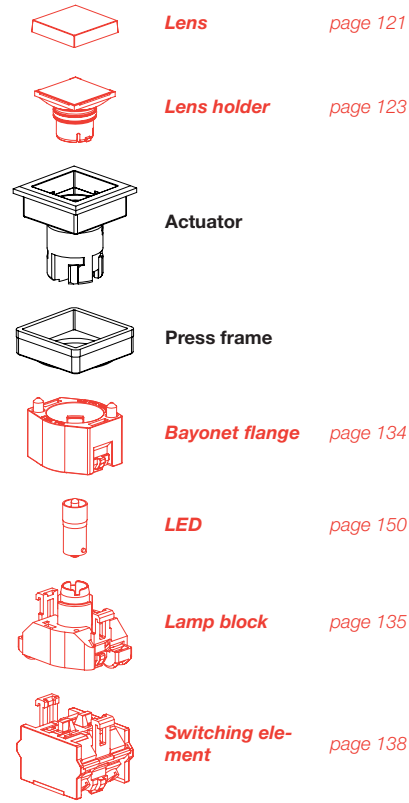
Housing	Front ring	Front bezel	Lens	Switching action	Part No.	Wiring diagram	Weight
Plastic black		Plastic silver	Plastic red	C	<b>704.260.208</b>	2	0.051 kg
			Plastic yellow	C	<b>704.260.408</b>	2	0.051 kg
			Plastic green	C	<b>704.260.508</b>	2	0.051 kg
			Plastic blue	C	<b>704.260.608</b>	2	0.051 kg
			Plastic colourless	C	<b>704.260.708</b>	2	0.051 kg
 <p><b>Illuminated pushbutton actuator, Front dimension Ø 35 mm</b></p>							
Plastic grey	Aluminium natural anodized		Plastic red	B	<b>704.032.218</b>	1	0.067 kg
			Plastic yellow	B	<b>704.032.418</b>	1	0.067 kg
			Plastic green	B	<b>704.032.518</b>	1	0.067 kg
			Plastic blue	B	<b>704.032.618</b>	1	0.067 kg
			Plastic colourless	B	<b>704.032.718</b>	1	0.067 kg
			Plastic red	C	<b>704.062.218</b>	2	0.067 kg
			Plastic yellow	C	<b>704.062.418</b>	2	0.067 kg
			Plastic green	C	<b>704.062.518</b>	2	0.067 kg
			Plastic blue	C	<b>704.062.618</b>	2	0.067 kg
			Plastic colourless	C	<b>704.062.718</b>	2	0.067 kg

Switching action : B = Momentary, C = Maintain



## Illuminated pushbutton square, IP65

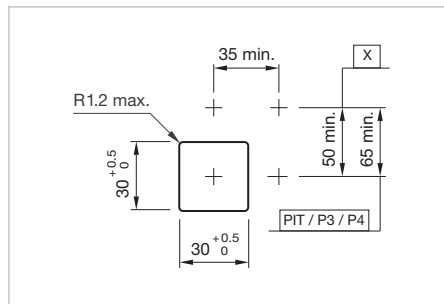
### Equipment consisting of (schematic overview)



Dimensions [mm]  
X = Screw terminal



Product can differ from the current configuration.




Mounting cut-outs [mm]  
PIT = Push-in terminal,  
P3 = Plug-in terminal 6.3 x 0.8 mm,  
P4 = Double plug-in terminal 6.3 x 0.8 mm,  
X = Screw terminal

### Additional Information

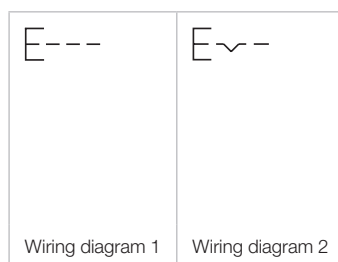
- Housing plastic black
- Other terminal options from the parts switching element and lamp block see «Accessories»
- Max. 3 switching elements can be clipped on

Each Part Number listed below includes all the black components shown in the 3D-drawing.

To obtain a complete unit, please select the red components from the pages shown.

Front bezel	Switching action	Part No.	Wiring diagram	Weight
				
<b>Illuminated pushbutton actuator square, Front dimension 35 x 35 mm</b>				
Plastic black	B	<b>704.741.0</b>	1	0.020 kg
Plastic silver	B	<b>704.741.8</b>	1	0.020 kg
Plastic black	C	<b>704.742.0</b>	2	0.020 kg
Plastic silver	C	<b>704.742.8</b>	2	0.020 kg

Switching action : B = Momentary, C = Maintain

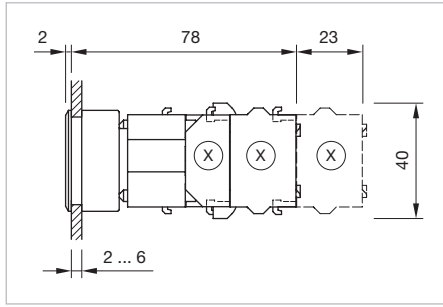


# 04 Flush design

## Illuminated pushbutton round, IP65



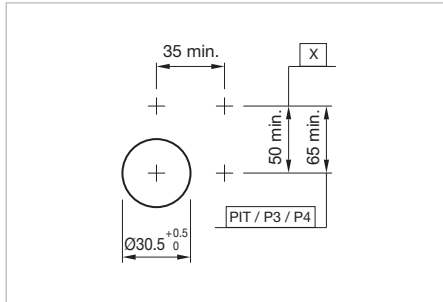
Product can differ from the current configuration.



Dimensions [mm]  
X = Screw terminal

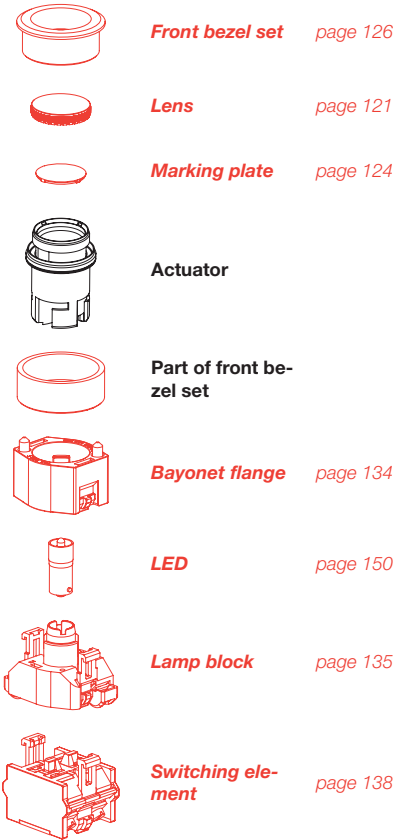
### Additional Information

- For front dimension  $\varnothing$  35 mm
- Housing plastic grey
- Choose lens plastic or lens metal with spot round
- Other terminal options from the parts switching element and lamp block see «Accessories»
- Max. 3 switching elements can be clipped on




Mounting cut-outs [mm]  
PIT = Push-in terminal,  
P3 = Plug-in terminal 6.3 x 0.8 mm,  
P4 = Double plug-in terminal 6.3 x 0.8 mm,  
X = Screw terminal

### Equipment consisting of (schematic overview)

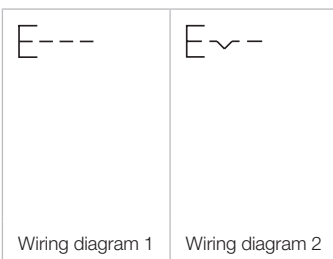


Each Part Number listed below includes all the black components shown in the 3D-drawing.

To obtain a complete unit, please select the red components from the pages shown.

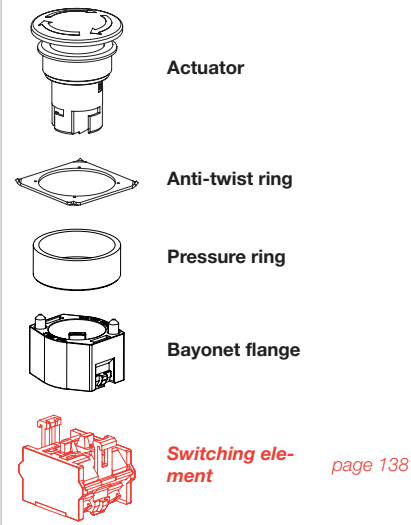
Switching action	Part No.	Wiring diagram	Weight
			
<b>Illuminated pushbutton actuator round</b>			
B	<b>704.631.1</b>	1	0.009 kg
C	<b>704.632.1</b>	2	0.009 kg

Switching action : B = Momentary, C = Maintain



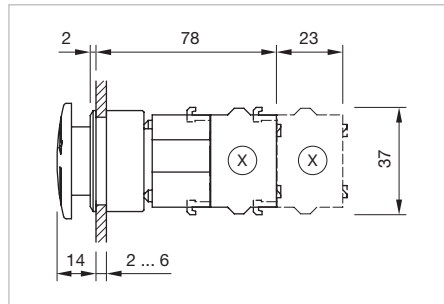
## Stop switch, IP65

### Equipment consisting of (schematic overview)



Each Part Number listed below includes all the black components shown in the 3D-drawing.

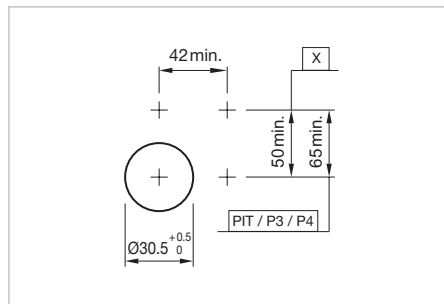
To obtain a complete unit, please select the red components from the pages shown.



Dimensions [mm]  
X = Screw terminal




Product can differ from the current configuration.



Mounting cut-outs [mm]  
PIT = Push-in terminal,  
P3 = Plug-in terminal 6.3 x 0.8 mm,  
P4 = Double plug-in terminal 6.3 x 0.8 mm,  
X = Screw terminal

### Additional Information

- Other terminal options from the part switching element see «Accessories»
- Twist to unlock clockwise
- Max. 3 switching elements can be clipped on
- The colour of anodized aluminium parts can vary due to technical production reasons

Front ring	Lens	Marking	Switching action	Part No.	Wiring diagram	Weight
 <p><b>Stop switch actuator, Front dimension Ø 40 mm</b></p>						
Aluminium natural anodized	Plastic red	Arrows	C	<b>704.075.218</b>	1	0.048 kg
		Stop	C	<b>704.075.318</b>	1	0.048 kg
Aluminium black anodized	Plastic red	Arrows	C	<b>704.074.210</b>	1	0.048 kg
		Stop	C	<b>704.075.310</b>	1	0.048 kg

Switching action : C = Maintain

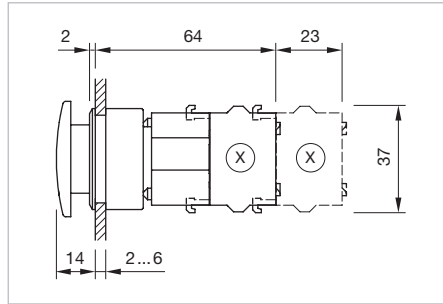


# 04 Flush design

## Mushroom-head pushbutton, IP65



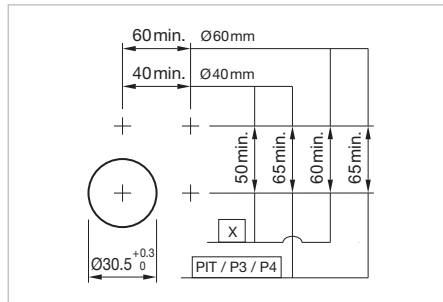
Product can differ from the current configuration.



Dimensions [mm]  
X = Screw terminal

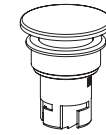
### Additional Information

- Other terminal options from the part switching element see «Accessories»
- Max. 3 switching elements can be clipped on
- The colour of anodized aluminium parts can vary due to technical production reasons



Mounting cut-outs [mm]  
PIT = Push-in terminal,  
P3 = Plug-in terminal 6.3 x 0.8 mm,  
P4 = Double plug-in terminal 6.3 x 0.8 mm,  
X = Screw terminal

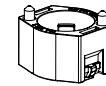
### Equipment consisting of (schematic overview)



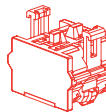
Actuator



Pressure ring



Bayonet flange




Switching element

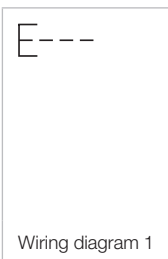
page 138

Each Part Number listed below includes all the black components shown in the 3D-drawing.

To obtain a complete unit, please select the red components from the pages shown.

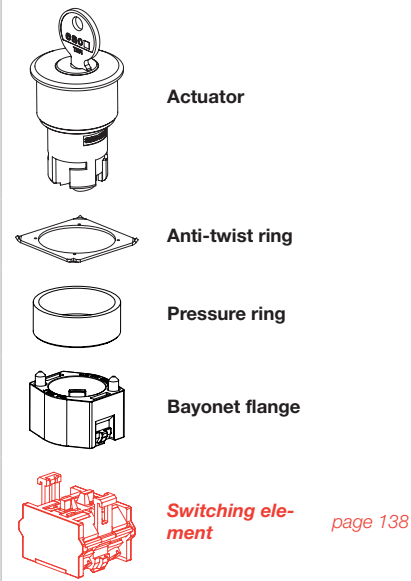
Front ring	Lens	Switching action	Part No.	Wiring diagram	Weight
					
<b>Mushroom-head pushbutton actuator, Front dimension Ø 40 mm</b>					
Aluminium natural anodized	Plastic red	B	<b>704.071.218</b>	1	0.041 kg
	Plastic yellow	B	<b>704.071.418</b>	1	0.041 kg
Aluminium black anodized	Plastic red	B	<b>704.071.210</b>	1	0.041 kg
	Plastic yellow	B	<b>704.071.410</b>	1	0.041 kg

Switching action : B = Momentary



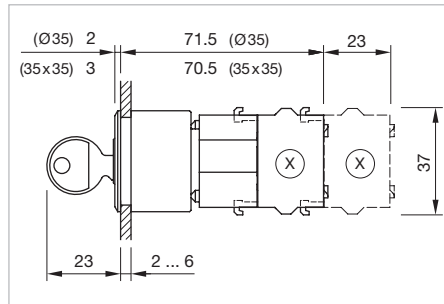
## Keylock switch 2 positions, IP65

### Equipment consisting of (schematic overview)

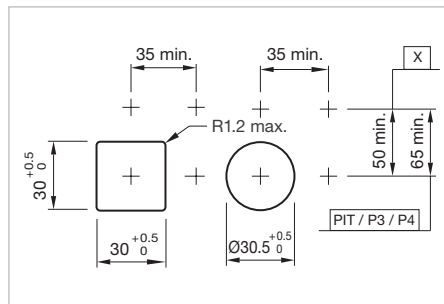


Each Part Number listed below includes all the black components shown in the 3D-drawing.

To obtain a complete unit, please select the red components from the pages shown.



Dimensions [mm]  
X = Screw terminal



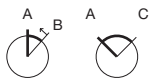
Mounting cut-outs [mm]  
PIT = Push-in terminal,  
P3 = Plug-in terminal 6.3 x 0.8 mm,  
P4 = Double plug-in terminal 6.3 x 0.8 mm,  
X = Screw terminal




Product can differ from the current configuration.

### Additional Information


- Other terminal options from the part switching element see «Accessories»
- The colour of anodized aluminium parts can vary due to technical production reasons
- The standard lock Ronis 251
- Two keys are supplied with each key lock switch
- Further lock numbers see «Technical data»
- Max. 3 switching elements can be clipped on



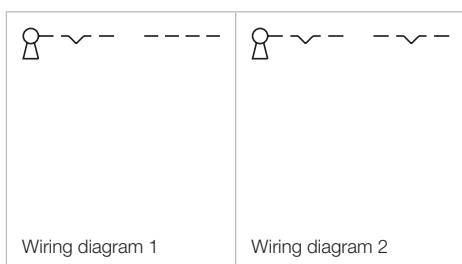
Switching positions (A = Rest, B = Momentary, C = Maintained)

Front ring	Front bezel	Switching action	Switching angle	Key remove	Part No.	Wiring diagram	Weight
	<b>Keylock switch actuator 2 positions, Front dimension 35 x 35 mm</b>						
	Plastic black	A - B	B = 42°	A	<b>704.343.000</b>	1	0.099 kg
	Plastic silver	A - B	B = 42°	A	<b>704.343.008</b>	1	0.099 kg
	Plastic black	A - C	C = 90°	C	<b>704.340.000</b>	2	0.099 kg
				A	<b>704.341.000</b>	2	0.099 kg
				A + C	<b>704.342.000</b>	2	0.099 kg
				A + C	<b>704.342.008</b>	2	0.099 kg
	Plastic silver	A - C	C = 90°	C	<b>704.340.008</b>	2	0.099 kg
				A	<b>704.341.008</b>	2	0.099 kg
				A + C	<b>704.342.000</b>	2	0.099 kg
				A + C	<b>704.342.008</b>	2	0.099 kg

# 04 Flush design

Front ring	Front bezel	Switching action	Switching angle	Key remove	Part No.	Wiring diagram	Weight
 <p><b>Keylock switch actuator 2 positions, Front dimension Ø 35 mm</b></p>							
Aluminium natural anodized		A - B	B = 42°	A	<b>704.123.018</b>	1	0.099 kg
		A - C	C = 90°	C	<b>704.120.018</b>	2	0.099 kg
				A	<b>704.121.018</b>	2	0.099 kg
				A + C	<b>704.122.018</b>	2	0.099 kg

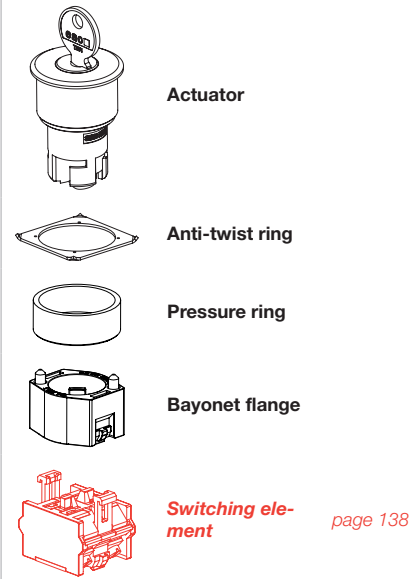
Switching action : A = Rest, B = Momentary, C = Maintain





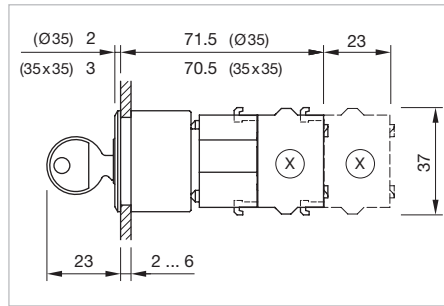
## Keylock switch 3 positions, IP65

### Equipment consisting of (schematic overview)

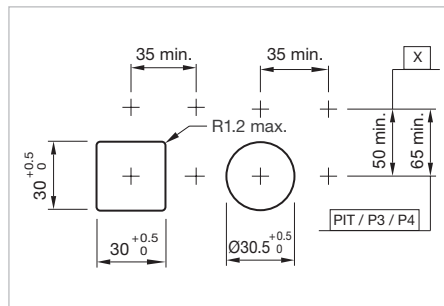


Each Part Number listed below includes all the black components shown in the 3D-drawing.

To obtain a complete unit, please select the red components from the pages shown.



Dimensions [mm]  
X = Screw terminal



Mounting cut-outs [mm]  
PIT = Push-in terminal,  
P3 = Plug-in terminal 6.3 x 0.8 mm,  
P4 = Double plug-in terminal 6.3 x 0.8 mm,  
X = Screw terminal




Product can differ from the current configuration.

### Additional Information


- Other terminal options from the part switching element see «Accessories»
- The colour of anodized aluminium parts can vary due to technical production reasons
- Locknumbers 251, lock type Ronis
- Two keys are supplied with each key lock switch
- Further lock numbers see «Technical data»
- Max. 3 switching elements can be clipped on







Switching positions (A = Rest, B = Momentary, C = Maintained)

Front ring	Front bezel	Switching action	Switching angle	Key remove	Part No.	Wiring diagram	Weight
	<b>Keylock switch actuator 3 positions, Front dimension 35 x 35 mm</b>						
	Plastic black	B - A - C	B = 42°, C = 42°	A	<b>704.338.000</b>	1	0.099 kg
	Plastic silver	B - A - C	B = 42°, C = 42°	A	<b>704.338.008</b>	1	0.099 kg
	Plastic black	C - A - B	C = 42°, B = 42°	C	<b>704.337.000</b>	2	0.099 kg
				C + A	<b>704.344.000</b>	2	0.099 kg
	Plastic silver	C - A - B	C = 42°, B = 42°	C	<b>704.337.008</b>	2	0.099 kg
				C + A	<b>704.344.008</b>	2	0.099 kg
	Plastic black	B - A - B	B = 42° / 42°	A	<b>704.335.000</b>	3	0.099 kg
	Plastic silver	B - A - B	B = 42° / 42°	A	<b>704.335.008</b>	3	0.099 kg
	Plastic black	C - A - C	C = 42° / 42°	A	<b>704.334.000</b>	4	0.099 kg
				C + C	<b>704.336.000</b>	4	0.099 kg
	Plastic silver	C - A - C	C = 42° / 42°	A	<b>704.334.008</b>	4	0.099 kg
				C + C	<b>704.336.008</b>	4	0.099 kg
	Plastic black	C - A - C	C = 90° / 90°	C + A + C	<b>704.333.000</b>	4	0.099 kg
	Plastic silver	C - A - C	C = 90° / 90°	C + A + C	<b>704.333.008</b>	4	0.099 kg

# 04 Flush design

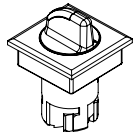
Front ring	Front bezel	Switching action	Switching angle	Key remove	Part No.	Wiring diagram	Weight
 <p><b>Keylock switch actuator 3 positions, Front dimension Ø 35 mm</b></p>							
Aluminium natural anodized		B - A - C	B = 42°, C = 42°	A	<b>704.118.018</b>	1	0.099 kg
		C - A - B	C = 42°, B = 42°	C	<b>704.117.018</b>	2	0.099 kg
				C + A	<b>704.124.018</b>	2	0.099 kg
		B - A - B	B = 42° / 42°	A	<b>704.115.018</b>	3	0.099 kg
		C - A - C	C = 42° / 42°	A	<b>704.114.018</b>	4	0.099 kg
				C + C	<b>704.116.018</b>	4	0.099 kg
			C = 90° / 90°	C + A + C	<b>704.113.018</b>	4	0.099 kg

Switching action : A = Rest, B = Momentary, C = Maintain

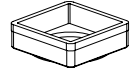
			
Wiring diagram 1	Wiring diagram 2	Wiring diagram 3	Wiring diagram 4

## Selector switch actuator illuminated, 2 positions short lever, IP65

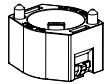
### Equipment consisting of (schematic overview)



Actuator



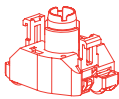
Press frame



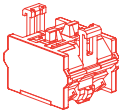
Bayonet flange



LED *page 150*



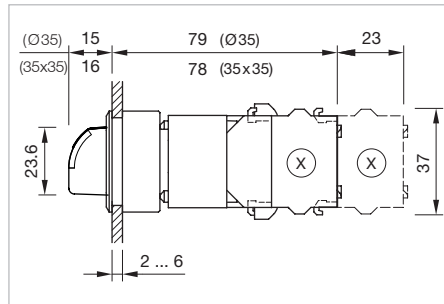
Lamp block *page 135*



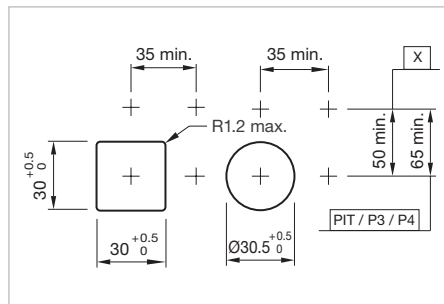
Switching element *page 138*

Each Part Number listed below includes all the black components shown in the 3D-drawing.

To obtain a complete unit, please select the red components from the pages shown.



Dimensions [mm]  
X = Screw terminal



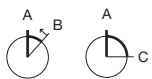
Mounting cut-outs [mm]  
PIT = Push-in terminal,  
P3 = Plug-in terminal 6.3 x 0.8 mm,  
P4 = Double plug-in terminal 6.3 x 0.8 mm,  
X = Screw terminal




Product can differ from the current configuration.

### Additional Information


- Other terminal options from the part switching element see «Accessories»
- The colour of anodized aluminium parts can vary due to technical production reasons
- Max. 3 switching elements can be clipped on



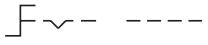
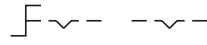
Switching positions (A = Rest, B = Momentary, C = Maintained)

Lever	Front ring	Front bezel	Switching action	Switching angle	Part No.	Wiring diagram	Weight
 <p><b>Selector switch actuator illuminated, 2 positions, short lever, Front dimension 35 x 35 mm</b></p>							
Plastic black		Plastic black	A - B	B = 42°	<b>704.512.000I</b>	1	0.056 kg
		Plastic silver	A - B	B = 42°	<b>704.512.008I</b>	1	0.056 kg
		Plastic black	A - C	C = 90°	<b>704.510.000I</b>	2	0.056 kg
		Plastic silver	A - C	C = 90°	<b>704.510.008I</b>	2	0.056 kg

# 04 Flush design

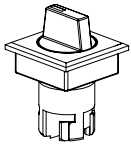
Lever	Front ring	Front bezel	Switching action	Switching angle	Part No.	Wiring diagram	Weight
 <p><b>Selector switch actuator illuminated, 2 positions, short lever, Front dimension Ø 35 mm</b></p>							
Plastic black	Aluminium black anodized		A - B	B = 42°	<b>704.413.010I</b>	1	0.056 kg
	Aluminium natural anodized		A - B	B = 42°	<b>704.413.018I</b>	1	0.056 kg
	Aluminium black anodized		A - C	C = 90°	<b>704.411.010I</b>	2	0.056 kg
	Aluminium natural anodized		A - C	C = 90°	<b>704.411.018I</b>	2	0.056 kg

Switching action : A = Rest, B = Momentary, C = Maintain

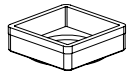
	
Wiring diagram 1	Wiring diagram 2

## Selector switch actuator 2 positions short lever, IP65

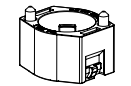
### Equipment consisting of (schematic overview)



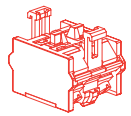
Actuator



Press frame



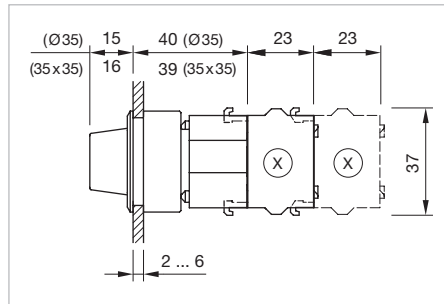
Bayonet flange



Switching element *page 138*

Each Part Number listed below includes all the black components shown in the 3D-drawing.

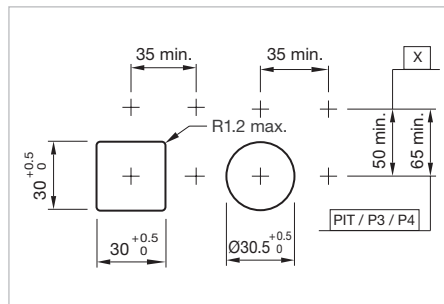
To obtain a complete unit, please select the red components from the pages shown.



Dimensions [mm]  
X = Screw terminal



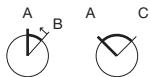
Product can differ from the current configuration.




Mounting cut-outs [mm]  
PIT = Push-in terminal,  
P3 = Plug-in terminal 6.3 x 0.8 mm,  
P4 = Double plug-in terminal 6.3 x 0.8 mm,  
X = Screw terminal

### Additional Information


- Other terminal options from the part switching element see «Accessories»
- The colour of anodized aluminium parts can vary due to technical production reasons
- Max. 3 switching elements can be clipped on





Switching positions (A = Rest, B = Momentary, C = Maintained)

Lever	Front ring	Front bezel	Switching action	Switching angle	Part No.	Wiring diagram	Weight
 <p><b>Selector switch actuator 2 positions, short lever, Front dimension 35 x 35 mm</b></p>							
Plastic black		Plastic black	A - B	B = 42°	<b>704.512.000</b>	1	0.056 kg
		Plastic silver	A - B	B = 42°	<b>704.512.008</b>	1	0.056 kg
		Plastic black	A - C	C = 90°	<b>704.510.000</b>	2	0.056 kg
		Plastic silver	A - C	C = 90°	<b>704.510.008</b>	2	0.056 kg

# 04 Flush design

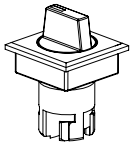
Lever	Front ring	Front bezel	Switching action	Switching angle	Part No.	Wiring diagram	Weight
 <p><b>Selector switch actuator 2 positions, short lever, Front dimension Ø 35 mm</b></p>							
Plastic black	Aluminium black anodized		A - B	B = 42°	<b>704.413.010</b>	1	0.056 kg
	Aluminium natural anodized		A - B	B = 42°	<b>704.413.018</b>	1	0.056 kg
	Aluminium black anodized		A - C	C = 90°	<b>704.411.010</b>	2	0.056 kg
	Aluminium natural anodized		A - C	C = 90°	<b>704.411.018</b>	2	0.056 kg

Switching action : A = Rest, B = Momentary, C = Maintain

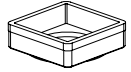
	
Wiring diagram 1	Wiring diagram 2

## Selector switch 2 positions 12 o'clock short lever , IP65

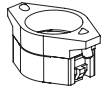
### Equipment consisting of (schematic overview)



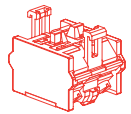
Actuator



Press frame



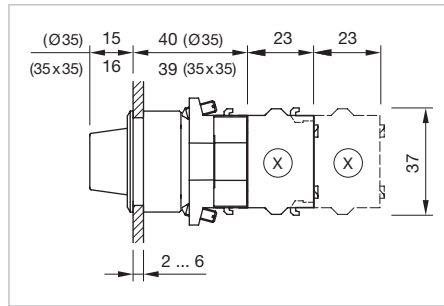
Bayonet flange



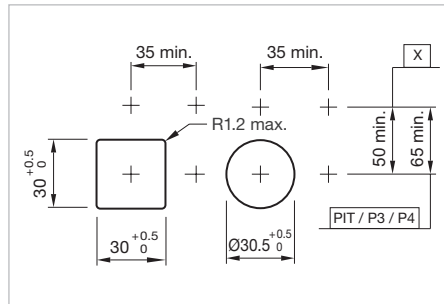
Switching element *page 138*

Each Part Number listed below includes all the black components shown in the 3D-drawing.

To obtain a complete unit, please select the red components from the pages shown.



Dimensions [mm]  
X = Screw terminal



Mounting cut-outs [mm]  
PIT = Push-in terminal,  
P3 = Plug-in terminal 6.3 x 0.8 mm,  
P4 = Double plug-in terminal 6.3 x 0.8 mm,  
X = Screw terminal





Product can differ from the current configuration.

### Additional Information

- Other terminal options from the part switching element see «Accessories»
- The colour of anodized aluminium parts can vary due to technical production reasons
- Max. 3 switching elements can be clipped on



Switching positions (A = Rest, B = Momentary, C = Maintained)

Lever	Front ring	Front bezel	Switching action	Switching angle	Part No.	Wiring diagram	Weight
 <p><b>Selector switch actuator 2 positions 12 o'clock, short lever , Front dimension 35 x 35 mm</b></p>							
Plastic black		Plastic black	A - C	C = 90°	<b>704.510.000.12</b>	1	0.056 kg
		Plastic silver	A - C	C = 90°	<b>704.510.008.12</b>	1	0.056 kg
 <p><b>Selector switch actuator 2 positions 12 o'clock, short lever , Front dimension Ø 35 mm</b></p>							
Plastic black	Aluminium black anodized		A - C	C = 90°	<b>704.411.010.12</b>	1	0.056 kg
	Aluminium natural anodized		A - C	C = 90°	<b>704.411.018.12</b>	1	0.056 kg

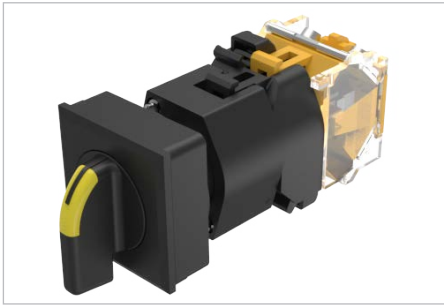
Switching action : A = Rest, C = Maintain



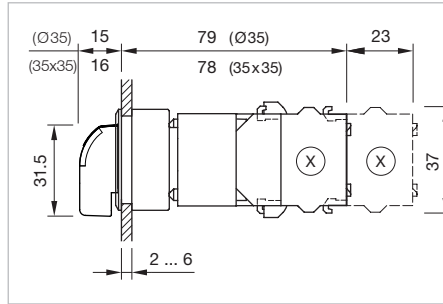
Wiring diagram 1

# 04 Flush design

## Selector switch illuminated, 2 positions, long lever, IP65



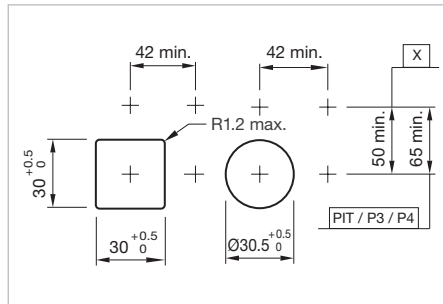
Product can differ from the current configuration.



Dimensions [mm]  
X = Screw terminal

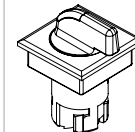
### Additional Information

- Other terminal options from the part switching element see «Accessories»
- The colour of anodized aluminium parts can vary due to technical production reasons
- Max. 3 switching elements can be clipped on

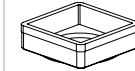


Mounting cut-outs [mm]  
PIT = Push-in terminal,  
P3 = Plug-in terminal 6.3 x 0.8 mm,  
P4 = Double plug-in terminal 6.3 x 0.8 mm,  
X = Screw terminal

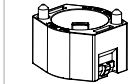
### Equipment consisting of (schematic overview)



Actuator



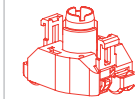
Press frame



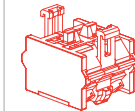
Bayonet flange



LED [page 150](#)



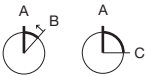
Lamp block [page 135](#)




Switching element [page 138](#)

Each Part Number listed below includes all the black components shown in the 3D-drawing.


To obtain a complete unit, please select the red components from the pages shown.



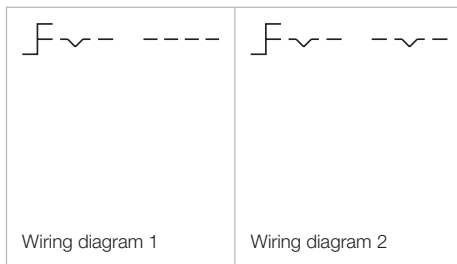
Switching positions (A = Rest, B = Momentary, C = Maintained)

Lever	Front ring	Front bezel	Switching action	Switching angle	Part No.	Wiring diagram	Weight
 <b>Selector switch actuator illuminated, 2 positions, long lever, Front dimension 35 x 35 mm</b>							
Plastic black		Plastic black	A - B	B = 42°	<b>704.302.0001</b>	1	0.056 kg
		Plastic silver	A - B	B = 42°	<b>704.302.0081</b>	1	0.056 kg
		Plastic black	A - C	C = 90°	<b>704.300.0001</b>	2	0.056 kg
		Plastic silver	A - C	C = 90°	<b>704.300.0081</b>	2	0.056 kg



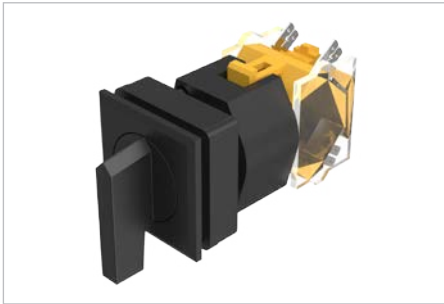
Lever	Front ring	Front bezel	Switching action	Switching angle	Part No.	Wiring diagram	Weight
 <p><b>Selector switch actuator illuminated, 2 positions, long lever, Front dimension Ø 35 mm</b></p>							
Plastic black	Aluminium natural anodized		A - B	B = 42°	<b>704.103.018I</b>	1	0.056 kg
	Aluminium black anodized		A - C	C = 90°	<b>704.101.010I</b>	2	0.056 kg
	Aluminium natural anodized		A - C	C = 90°	<b>704.101.018I</b>	2	0.056 kg

Switching action : A = Rest, B = Momentary, C = Maintain

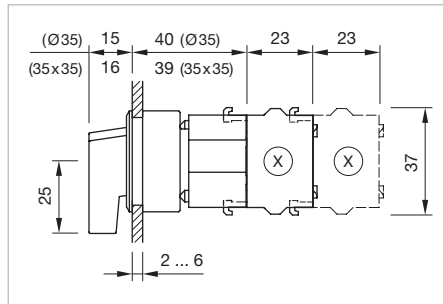


# 04 Flush design

## Selector switch 2 positions long lever, IP65



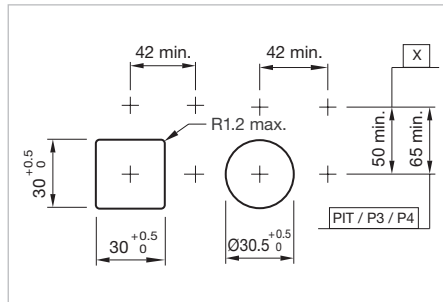
Product can differ from the current configuration.



Dimensions [mm]  
X = Screw terminal

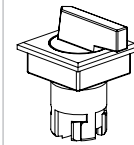
### Additional Information

- Other terminal options from the part switching element see «Accessories»
- The colour of anodized aluminium parts can vary due to technical production reasons
- Max. 3 switching elements can be clipped on

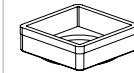


Mounting cut-outs [mm]  
PIT = Push-in terminal,  
P3 = Plug-in terminal 6.3 x 0.8 mm,  
P4 = Double plug-in terminal 6.3 x 0.8 mm,  
X = Screw terminal

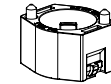
### Equipment consisting of (schematic overview)



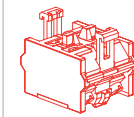
Actuator



Press frame



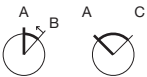
Bayonet flange




Switching element [page 138](#)


Each Part Number listed below includes all the black components shown in the 3D-drawing.

To obtain a complete unit, please select the red components from the pages shown.

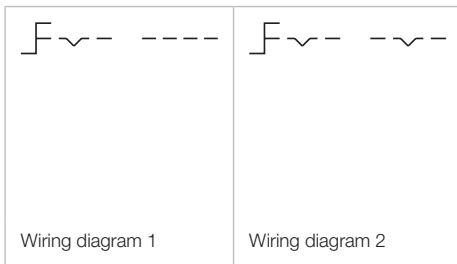


Switching positions (A = Rest, B = Momentary, C = Maintained)

Lever	Front ring	Front bezel	Switching action	Switching angle	Part No.	Wiring diagram	Weight
							
<b>Selector switch actuator 2 positions, long lever, Front dimension 35 x 35 mm</b>							
Plastic black		Plastic black	A - B	B = 42°	<b>704.302.000</b>	1	0.056 kg
		Plastic silver	A - B	B = 42°	<b>704.302.008</b>	1	0.056 kg
		Plastic black	A - C	C = 90°	<b>704.300.000</b>	2	0.056 kg
		Plastic silver	A - C	C = 90°	<b>704.300.008</b>	2	0.056 kg

Lever	Front ring	Front bezel	Switching action	Switching angle	Part No.	Wiring diagram	Weight
 <p><b>Selector switch actuator 2 positions, long lever, Front dimension Ø 35 mm</b></p>							
Plastic black	Aluminium natural anodized		A - B	B = 42°	<b>704.103.018</b>	1	0.056 kg
	Aluminium black anodized		A - C	C = 90°	<b>704.101.010</b>	2	0.056 kg
	Aluminium natural anodized		A - C	C = 90°	<b>704.101.018</b>	2	0.056 kg

Switching action : A = Rest, B = Momentary, C = Maintain

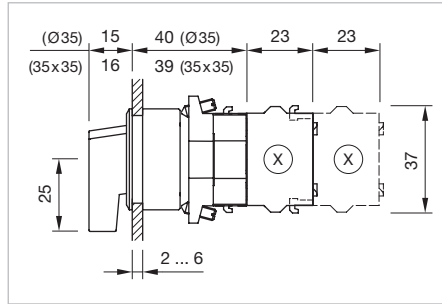


# 04 Flush design

## Selector switch 2 positions 12 o'clock long lever, IP65

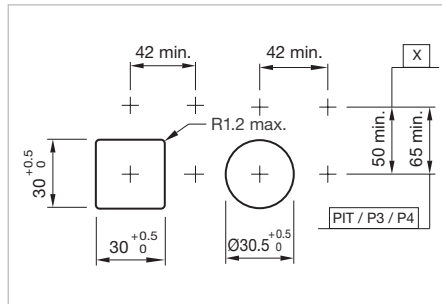


Product can differ from the current configuration.

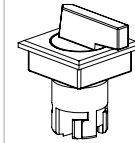


### Additional Information

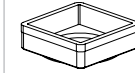
- Other terminal options from the part switching element see «Accessories»
- The colour of anodized aluminium parts can vary due to technical production reasons
- Max. 3 switching elements can be clipped on



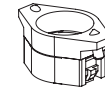
### Equipment consisting of (schematic overview)



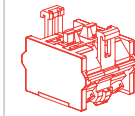
Actuator



Press frame



Bayonet flange



Switching element


page 138


Each Part Number listed below includes all the black components shown in the 3D-drawing.

To obtain a complete unit, please select the red components from the pages shown.

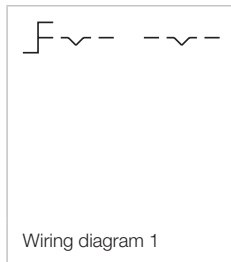


Switching positions (A = Rest, B = Momentary, C = Maintained)

Lever	Front ring	Front bezel	Switching action	Switching angle	Part No.	Wiring diagram	Weight
 <p><b>Selector switch actuator 2 positions 12 o'clock, long lever, Front dimension 35 x 35 mm</b></p>		Plastic black	A - C	C = 90°	<b>704.300.000.12</b>	1	0.056 kg
		Plastic silver	A - C	C = 90°	<b>704.300.008.12</b>	1	0.056 kg

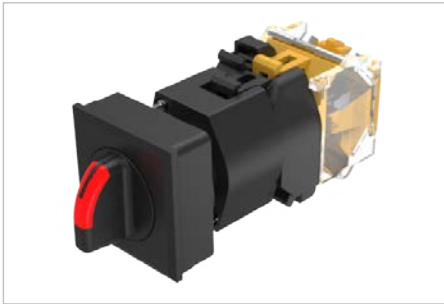
Lever	Front ring	Front bezel	Switching action	Switching angle	Part No.	Wiring diagram	Weight
 <p><b>Selector switch actuator 2 positions 12 o'clock, long lever, Front dimension Ø 35 mm</b></p>							
Plastic black	Aluminium black anodized		A - C	C = 90°	<b>704.101.010.12</b>	1	0.056 kg
	Aluminium natural anodized		A - C	C = 90°	<b>704.101.018.12</b>	1	0.056 kg

Switching action : A = Rest, C = Maintain

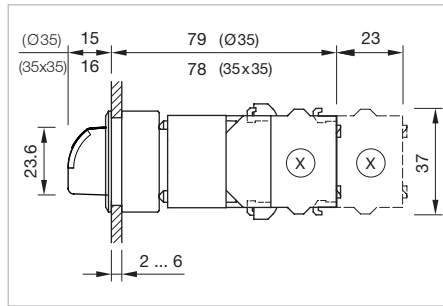


# 04 Flush design

## Selector switch illuminated, 3 positions, short lever, IP65



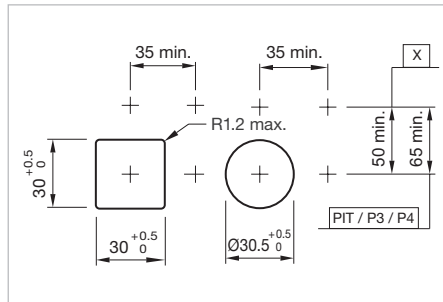
Product can differ from the current configuration.



Dimensions [mm]  
X = Screw terminal

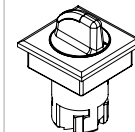
### Additional Information

- Other terminal options from the part switching element see «Accessories»
- The colour of anodized aluminium parts can vary due to technical production reasons
- Max. 3 switching elements can be clipped on

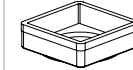


Mounting cut-outs [mm]  
PIT = Push-in terminal,  
P3 = Plug-in terminal 6.3 x 0.8 mm,  
P4 = Double plug-in terminal 6.3 x 0.8 mm,  
X = Screw terminal

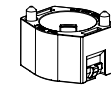
### Equipment consisting of (schematic overview)



Actuator



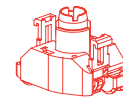
Press frame



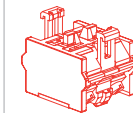
Bayonet flange



LED [page 150](#)



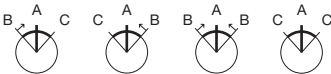
Lamp block [page 135](#)




Switching element [page 138](#)


Each Part Number listed below includes all the black components shown in the 3D-drawing.

To obtain a complete unit, please select the red components from the pages shown.




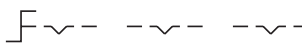


Switching positions (A = Rest, B = Momentary, C = Maintained)

Lever	Front ring	Front bezel	Switching action	Switching angle	Part No.	Wiring diagram	Weight
 <p><b>Selector switch actuator illuminated, 3 positions, short lever, Front dimension Ø 35 mm</b></p>							
Plastic black		Plastic black	B - A - C	B = 42°, C = 42°	<b>704.508.000I</b>	1	0.056 kg
		Plastic silver	B - A - C	B = 42°, C = 42°	<b>704.508.008I</b>	1	0.056 kg
		Plastic black	C - A - B	C = 42°, B = 42°	<b>704.506.000I</b>	2	0.056 kg
		Plastic silver	C - A - B	C = 42°, B = 42°	<b>704.506.008I</b>	2	0.056 kg
		Plastic black	B - A - B	B = 42° / 42°	<b>704.504.000I</b>	3	0.056 kg
		Plastic silver	B - A - B	B = 42° / 42°	<b>704.504.008I</b>	3	0.056 kg
		Plastic black	C - A - C	C = 42° / 42°	<b>704.502.000I</b>	4	0.056 kg
		Plastic silver	C - A - C	C = 42° / 42°	<b>704.502.008I</b>	4	0.056 kg

Lever	Front ring	Front bezel	Switching action	Switching angle	Part No.	Wiring diagram	Weight
 <p><b>Selector switch actuator illuminated, 3 positions, short lever, Front dimension Ø 35 mm</b></p>							
Plastic black	Aluminium black anodized		B - A - C	B = 42°, C = 42°	<b>704.409.010I</b>	1	0.056 kg
	Aluminium natural anodized		B - A - C	B = 42°, C = 42°	<b>704.409.018I</b>	1	0.056 kg
	Aluminium black anodized		C - A - B	C = 42°, B = 42°	<b>704.407.010I</b>	2	0.056 kg
	Aluminium natural anodized		C - A - B	C = 42°, B = 42°	<b>704.407.018I</b>	2	0.056 kg
	Aluminium black anodized		B - A - B	B = 42° / 42°	<b>704.405.010I</b>	3	0.056 kg
	Aluminium natural anodized		B - A - B	B = 42° / 42°	<b>704.405.018I</b>	3	0.056 kg
	Aluminium black anodized		C - A - C	C = 42° / 42°	<b>704.403.010I</b>	4	0.056 kg
	Aluminium natural anodized		C - A - C	C = 42° / 42°	<b>704.403.018I</b>	4	0.056 kg

Switching action : A = Rest, B = Momentary, C = Maintain

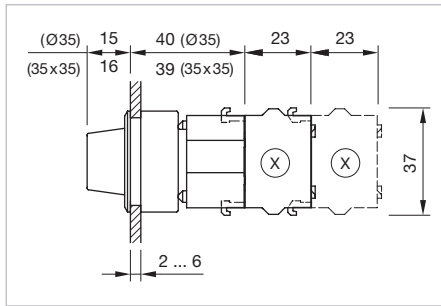
			
Wiring diagram 1	Wiring diagram 2	Wiring diagram 3	Wiring diagram 4

# 04 Flush design

## Selector switch 3 positions short lever, IP65



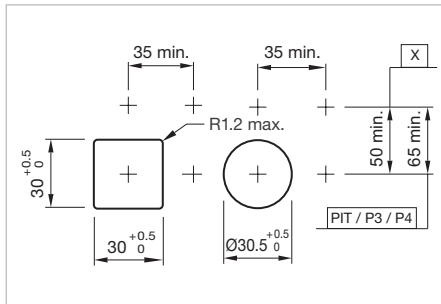
Product can differ from the current configuration.



Dimensions [mm]  
 X = Screw terminal

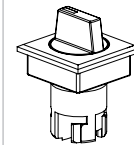
### Additional Information

- Other terminal options from the part switching element see «Accessories»
- The colour of anodized aluminium parts can vary due to technical production reasons
- Max. 3 switching elements can be clipped on

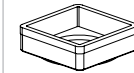


Mounting cut-outs [mm]  
 PIT = Push-in terminal,  
 P3 = Plug-in terminal 6.3 x 0.8 mm,  
 P4 = Double plug-in terminal 6.3 x 0.8 mm,  
 X = Screw terminal

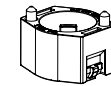
### Equipment consisting of (schematic overview)



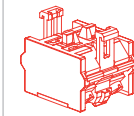
Actuator



Press frame



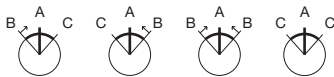
Bayonet flange




Switching element [page 138](#)

Each Part Number listed below includes all the black components shown in the 3D-drawing.


To obtain a complete unit, please select the red components from the pages shown.







Switching positions (A = Rest, B = Momentary, C = Maintained)

Lever	Front ring	Front bezel	Switching action	Switching angle	Part No.	Wiring diagram	Weight
 <b>Selector switch actuator 3 positions, short lever, Front dimension 35 x 35 mm</b>							
Plastic black		Plastic black	B - A - C	B = 42°, C = 42°	<b>704.508.000</b>	1	0.056 kg
		Plastic silver	B - A - C	B = 42°, C = 42°	<b>704.508.008</b>	1	0.056 kg
		Plastic black	C - A - B	C = 42°, B = 42°	<b>704.506.000</b>	2	0.056 kg
		Plastic silver	C - A - B	C = 42°, B = 42°	<b>704.506.008</b>	2	0.056 kg
		Plastic black	B - A - B	B = 42° / 42°	<b>704.504.000</b>	3	0.056 kg
		Plastic silver	B - A - B	B = 42° / 42°	<b>704.504.008</b>	3	0.056 kg
		Plastic black	C - A - C	C = 42° / 42°	<b>704.502.000</b>	4	0.056 kg
		Plastic silver	C - A - C	C = 42° / 42°	<b>704.502.008</b>	4	0.056 kg



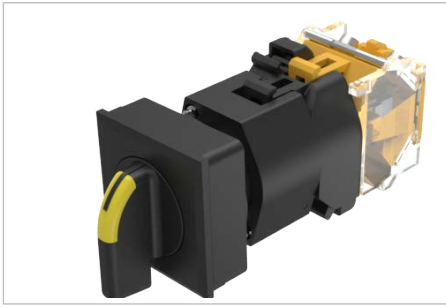
Lever	Front ring	Front bezel	Switching action	Switching angle	Part No.	Wiring diagram	Weight
 <p><b>Selector switch actuator 3 positions, short lever, Front dimension Ø 35 mm</b></p>							
Plastic black	Aluminium black anodized		B - A - C	B = 42°, C = 42°	<b>704.409.010</b>	1	0.056 kg
	Aluminium natural anodized		B - A - C	B = 42°, C = 42°	<b>704.409.018</b>	1	0.056 kg
	Aluminium black anodized		C - A - B	C = 42°, B = 42°	<b>704.407.010</b>	2	0.056 kg
	Aluminium natural anodized		C - A - B	C = 42°, B = 42°	<b>704.407.018</b>	2	0.056 kg
	Aluminium black anodized		B - A - B	B = 42° / 42°	<b>704.405.010</b>	3	0.056 kg
	Aluminium natural anodized		B - A - B	B = 42° / 42°	<b>704.405.018</b>	3	0.056 kg
	Aluminium black anodized		C - A - C	C = 42° / 42°	<b>704.403.010</b>	4	0.056 kg
	Aluminium natural anodized		C - A - C	C = 42° / 42°	<b>704.403.018</b>	4	0.056 kg

Switching action : A = Rest, B = Momentary, C = Maintain

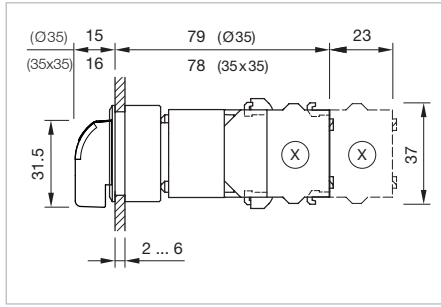
			
Wiring diagram 1	Wiring diagram 2	Wiring diagram 3	Wiring diagram 4

# 04 Flush design

## Selector switch illuminated, 3 positions, long lever, IP65



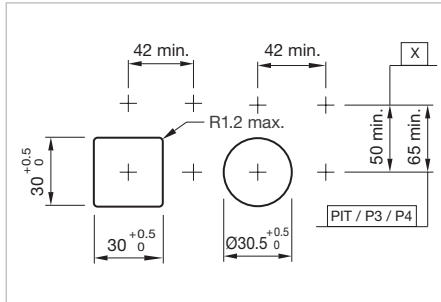
Product can differ from the current configuration.



Dimensions [mm]  
X = Screw terminal

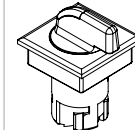
### Additional Information

- Other terminal options from the part switching element see «Accessories»
- The colour of anodized aluminium parts can vary due to technical production reasons
- Max. 3 switching elements can be clipped on

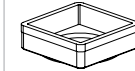


Mounting cut-outs [mm]  
PIT = Push-in terminal,  
P3 = Plug-in terminal 6.3 x 0.8 mm,  
P4 = Double plug-in terminal 6.3 x 0.8 mm,  
X = Screw terminal

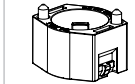
### Equipment consisting of (schematic overview)



Actuator



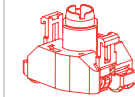
Press frame



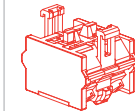
Bayonet flange



LED [page 150](#)



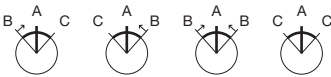
Lamp block [page 135](#)




Switching element [page 138](#)


Each Part Number listed below includes all the black components shown in the 3D-drawing.

To obtain a complete unit, please select the red components from the pages shown.

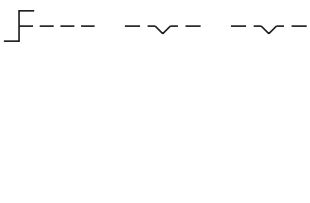
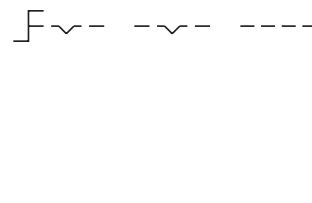
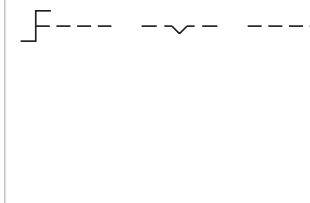
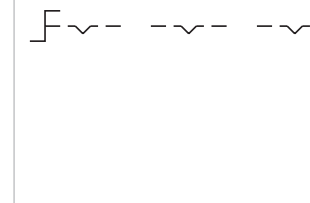


Switching positions (A = Rest, B = Momentary, C = Maintained)

Lever	Front ring	Front bezel	Switching action	Switching angle	Part No.	Wiring diagram	Weight	
	<b>Selector switch actuator illuminated, 3 positions, long lever, Front dimension 35 x 35 mm</b>							
	Plastic black		Plastic black	B - A - C	B = 42°, C = 42°	<b>704.298.000I</b>	1	0.056 kg
			Plastic silver	B - A - C	B = 42°, C = 42°	<b>704.298.008I</b>	1	0.056 kg
			Plastic black	C - A - B	C = 42°, B = 42°	<b>704.296.000I</b>	2	0.056 kg
			Plastic silver	C - A - B	C = 42°, B = 42°	<b>704.296.008I</b>	2	0.056 kg
			Plastic black	B - A - B	B = 42° / 42°	<b>704.294.000I</b>	3	0.056 kg
			Plastic silver	B - A - B	B = 42° / 42°	<b>704.294.008I</b>	3	0.056 kg
			Plastic black	C - A - C	C = 42° / 42°	<b>704.292.000I</b>	4	0.056 kg
Plastic silver			C - A - C	C = 42° / 42°	<b>704.292.008I</b>	4	0.056 kg	

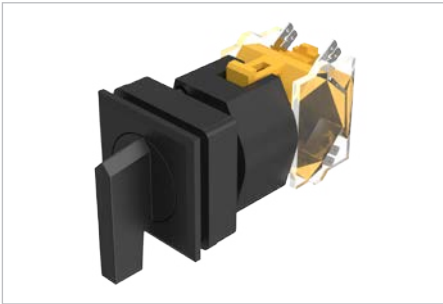
Lever	Front ring	Front bezel	Switching action	Switching angle	Part No.	Wiring diagram	Weight
 <p><b>Selector switch actuator illuminated, 3 positions, long lever, Front dimension Ø 35 mm</b></p>							
Plastic black	Aluminium black anodized		B - A - C	B = 42°, C = 42°	<b>704.099.010I</b>	1	0.056 kg
	Aluminium natural anodized		B - A - C	B = 42°, C = 42°	<b>704.099.018I</b>	1	0.056 kg
	Aluminium black anodized		C - A - B	C = 42°, B = 42°	<b>704.097.010I</b>	2	0.056 kg
	Aluminium natural anodized		C - A - B	C = 42°, B = 42°	<b>704.097.018I</b>	2	0.056 kg
	Aluminium black anodized		B - A - B	B = 42° / 42°	<b>704.095.010I</b>	3	0.056 kg
	Aluminium natural anodized		B - A - B	B = 42° / 42°	<b>704.095.018I</b>	3	0.056 kg
	Aluminium black anodized		C - A - C	C = 42° / 42°	<b>704.093.010I</b>	4	0.056 kg
	Aluminium natural anodized		C - A - C	C = 42° / 42°	<b>704.093.018I</b>	4	0.056 kg

Switching action : A = Rest, B = Momentary, C = Maintain

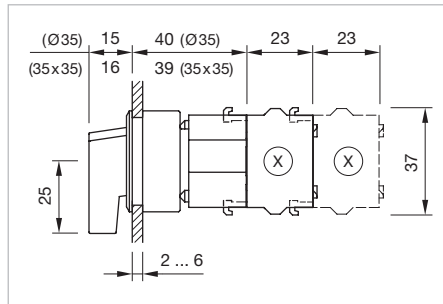
			
Wiring diagram 1	Wiring diagram 2	Wiring diagram 3	Wiring diagram 4

# 04 Flush design

## Selector switch 3 positions long lever, IP65



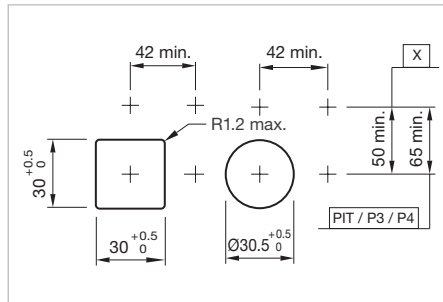
Product can differ from the current configuration.



Dimensions [mm]  
X = Screw terminal

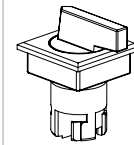
### Additional Information

- Other terminal options from the part switching element see «Accessories»
- The colour of anodized aluminium parts can vary due to technical production reasons
- Max. 3 switching elements can be clipped on

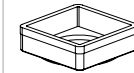


Mounting cut-outs [mm]  
PIT = Push-in terminal,  
P3 = Plug-in terminal 6.3 x 0.8 mm,  
P4 = Double plug-in terminal 6.3 x 0.8 mm,  
X = Screw terminal

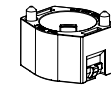
### Equipment consisting of (schematic overview)



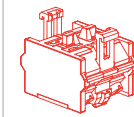
Actuator



Press frame



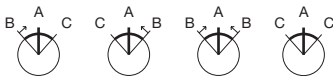
Bayonet flange




Switching element [page 138](#)


Each Part Number listed below includes all the black components shown in the 3D-drawing.

To obtain a complete unit, please select the red components from the pages shown.


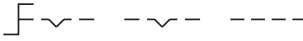




Switching positions (A = Rest, B = Momentary, C = Maintained)

Lever	Front ring	Front bezel	Switching action	Switching angle	Part No.	Wiring diagram	Weight
 <p><b>Selector switch actuator 3 positions, long lever, Front dimension 35 x 35 mm</b></p>							
Plastic black		Plastic black	B - A - C	B = 42°, C = 42°	<b>704.298.000</b>	1	0.056 kg
		Plastic silver	B - A - C	B = 42°, C = 42°	<b>704.298.008</b>	1	0.056 kg
		Plastic black	C - A - B	C = 42°, B = 42°	<b>704.296.000</b>	2	0.056 kg
		Plastic silver	C - A - B	C = 42°, B = 42°	<b>704.296.008</b>	2	0.056 kg
		Plastic black	B - A - B	B = 42° / 42°	<b>704.294.000</b>	3	0.056 kg
		Plastic silver	B - A - B	B = 42° / 42°	<b>704.294.008</b>	3	0.056 kg
		Plastic black	C - A - C	C = 42° / 42°	<b>704.292.000</b>	4	0.056 kg
		Plastic silver	C - A - C	C = 42° / 42°	<b>704.292.008</b>	4	0.056 kg

Lever	Front ring	Front bezel	Switching action	Switching angle	Part No.	Wiring diagram	Weight
 <p><b>Selector switch actuator 3 positions, long lever, Front dimension Ø 35 mm</b></p>							
Plastic black	Aluminium black anodized		B - A - C	B = 42°, C = 42°	<b>704.099.010</b>	1	0.056 kg
	Aluminium natural anodized		B - A - C	B = 42°, C = 42°	<b>704.099.018</b>	1	0.056 kg
	Aluminium black anodized		C - A - B	C = 42°, B = 42°	<b>704.097.010</b>	2	0.056 kg
	Aluminium natural anodized		C - A - B	C = 42°, B = 42°	<b>704.097.018</b>	2	0.056 kg
	Aluminium black anodized		B - A - B	B = 42° / 42°	<b>704.095.010</b>	3	0.056 kg
	Aluminium natural anodized		B - A - B	B = 42° / 42°	<b>704.095.018</b>	3	0.056 kg
	Aluminium black anodized		C - A - C	C = 42° / 42°	<b>704.093.010</b>	4	0.056 kg
	Aluminium natural anodized		C - A - C	C = 42° / 42°	<b>704.093.018</b>	4	0.056 kg

Switching action : A = Rest, B = Momentary, C = Maintain

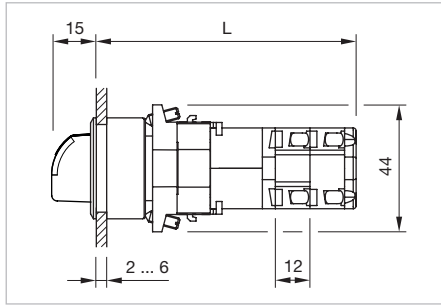
			
Wiring diagram 1	Wiring diagram 2	Wiring diagram 3	Wiring diagram 4

# 04 Flush design

## Selector rotary switch short lever rounded, IP65



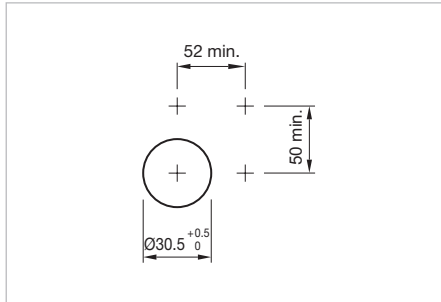
Product can differ from the current configuration.



Dimensions [mm]  
 $L = (\text{Number of stages} \times 12) + 66.5 \text{ mm}$

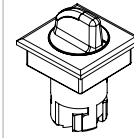
### Additional Information

- The colour of anodized aluminium parts can vary due to technical production reasons
- In combination with the switching elements K&N, the selector switch can not be illuminated

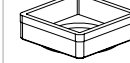


Mounting cut-outs [mm]

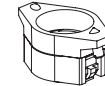
### Equipment consisting of (schematic overview)



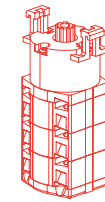
Actuator



Press frame



Bayonet flange



Switching element

*page 143*

Each Part Number listed below includes all the black components shown in the 3D-drawing.

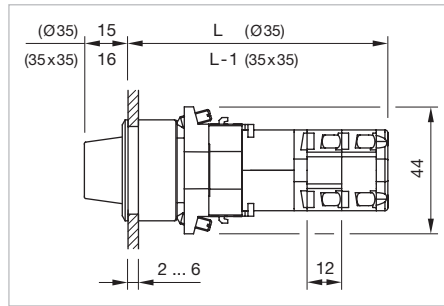
*To obtain a complete unit, please select the red components from the pages shown.*

Lever	Front ring	Switching positions	Part No.	Weight
	<b>Selector rotary switch actuator, short lever rounded, Front dimension Ø 35 mm</b>			
Plastic black	Aluminium black anodized	Rest = 12 o'clock	<b>704.411.010KNI</b>	0.056 kg
	<b>Selector rotary switch actuator, short lever rounded, Front dimension Ø 35 mm</b>			
Plastic black	Aluminium natural anodized	Rest = 9 o'clock	<b>704.411.118KNI</b>	0.056 kg
		Rest = 12 o'clock	<b>704.411.018KNI</b>	0.056 kg

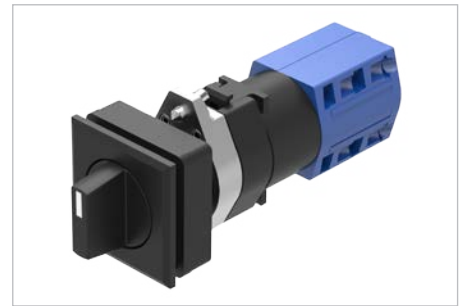
## Selector rotary switch short lever, IP65

**Equipment consisting of (schematic overview)**

- Actuator**
- Press frame**
- Bayonet flange**
- Switching element** *page 143*



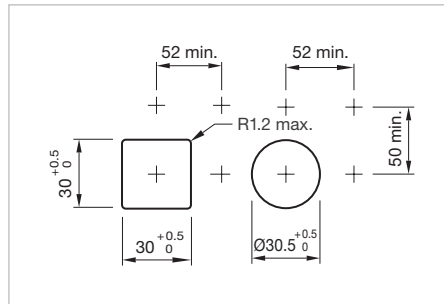
Dimensions [mm]  
 $L = (\text{Anzahl Fluchten} \times 12) + 66.5 \text{ mm}$



Product can differ from the current configuration.

### Additional Information

- The colour of anodized aluminium parts can vary due to technical production reasons



Mounting cut-outs [mm]

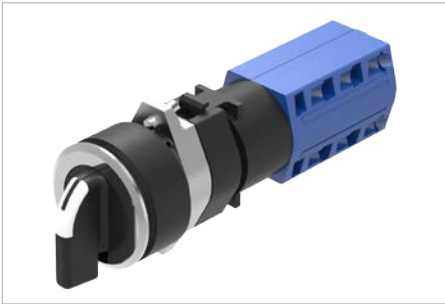
Each Part Number listed below includes all the black components shown in the 3D-drawing.

To obtain a complete unit, please select the red components from the pages shown.

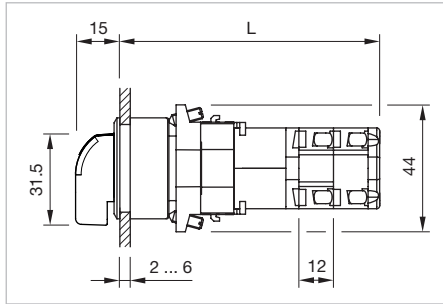
Lever	Front ring	Front bezel	Switching positions	Part No.	Weight
	<b>Selector rotary switch actuator, short lever, Front dimension 35 x 35 mm</b>				
Plastic black		Plastic black	Rest = 9 o'clock	<b>704.510.100KN</b>	0.056 kg
		Plastic silver	Rest = 9 o'clock	<b>704.510.108KN</b>	0.056 kg
	<b>Selector rotary switch actuator, short lever, Front dimension Ø 35 mm</b>				
Plastic black	Aluminium black anodized		Rest = 9 o'clock	<b>704.411.110KN</b>	0.056 kg
	Aluminium natural anodized		Rest = 9 o'clock	<b>704.411.118KN</b>	0.056 kg
	Aluminium black anodized		Rest = 12 o'clock	<b>704.411.010KN</b>	0.056 kg
	Aluminium natural anodized		Rest = 12 o'clock	<b>704.411.018KN</b>	0.056 kg

# 04 Flush design

## Selector rotary switch long lever rounded, IP65



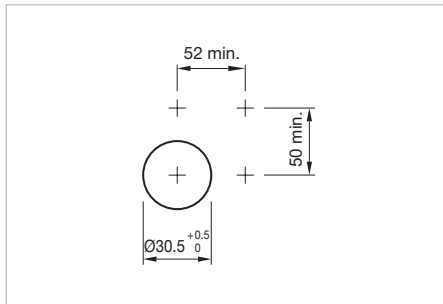
Product can differ from the current configuration.



Dimensions [mm]  
 $L = (\text{Number of stages} \times 12) + 66.5 \text{ mm}$

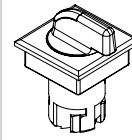
### Additional Information

- The colour of anodized aluminium parts can vary due to technical production reasons
- In combination with the switching elements K&N, the selector switch can not be illuminated

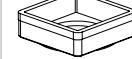


Mounting cut-outs [mm]

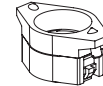
### Equipment consisting of (schematic overview)



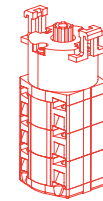
Actuator



Press frame



Bayonet flange



Switching element

*page 143*

Each Part Number listed below includes all the black components shown in the 3D-drawing.

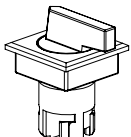
*To obtain a complete unit, please select the red components from the pages shown.*

Lever	Front ring	Switching positions	Part No.	Weight
	<b>Rotary selector switch actuator, long lever rounded, Front dimension Ø 35 mm</b>			
Plastic black	Aluminium black anodized	Rest = 9 o'clock	<b>704.101.110KNI</b>	0.056 kg
	<b>Rotary selector switch actuator, long lever rounded, Front dimension Ø 35 mm</b>			
Plastic black	Aluminium natural anodized	Rest = 9 o'clock	<b>704.101.118KNI</b>	0.056 kg
		Rest = 12 o'clock	<b>704.101.018KNI</b>	0.056 kg

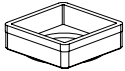


## Selector rotary switch long lever, IP65

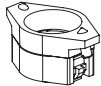
### Equipment consisting of (schematic overview)



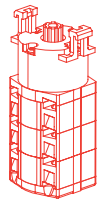
Actuator



Press frame

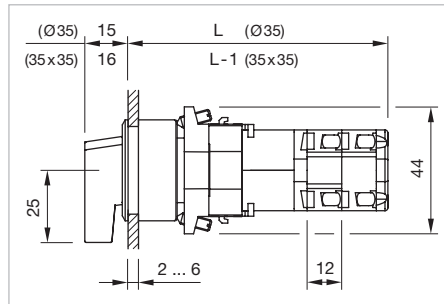


Bayonet flange

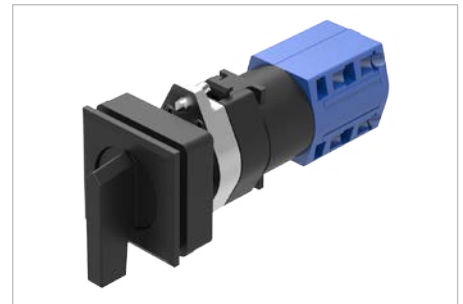


Switching element

page 143



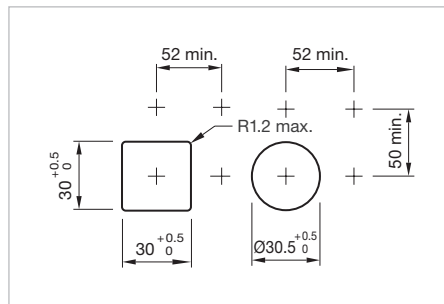
Dimensions [mm]  
L = (Anzahl Fluchten x 12) + 66.5 mm



Product can differ from the current configuration.

### Additional Information

- The colour of anodized aluminium parts can vary due to technical production reasons



Mounting cut-outs [mm]

Each Part Number listed below includes all the black components shown in the 3D-drawing.

To obtain a complete unit, please select the red components from the pages shown.

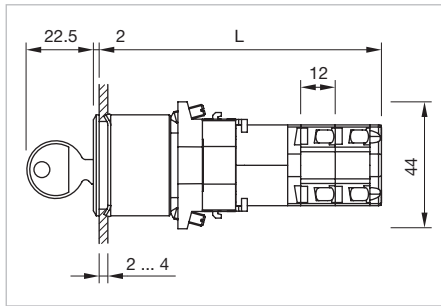
Lever	Front ring	Front bezel	Switching positions	Part No.	Weight
<b>Rotary selector switch actuator, long lever, Front dimension 35 x 35 mm</b>					
Plastic black		Plastic black	Rest = 9 o'clock	<b>704.300.100KN</b>	0.056 kg
		Plastic silver	Rest = 9 o'clock	<b>704.300.108KN</b>	0.056 kg
<b>Rotary selector switch actuator, long lever, Front dimension Ø 35 mm</b>					
Plastic black	Aluminium black anodized		Rest = 9 o'clock	<b>704.101.110KN</b>	0.056 kg
	Aluminium natural anodized		Rest = 9 o'clock	<b>704.101.118KN</b>	0.056 kg
	Aluminium natural anodized		Rest = 12 o'clock	<b>704.101.018KN</b>	0.056 kg

# 04 Flush design

## Keylock rotary switch, IP65



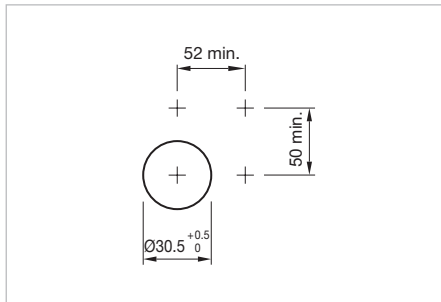
Product can differ from the current configuration.



Dimensions [mm]  
 $L = (\text{Anzahl Fluchten} \times 12) + 66.5 \text{ mm}$

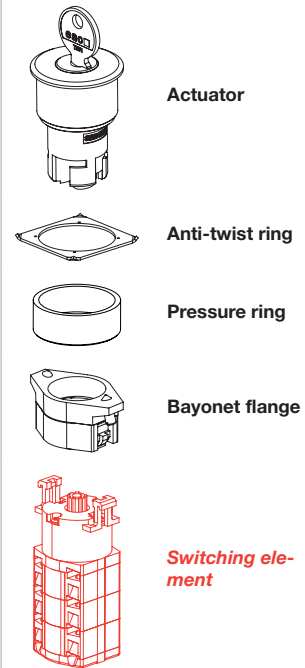
### Additional Information

- Locknumbers 251, lock type Ronis
- Two keys are supplied with each key lock switch
- Further lock numbers see «Technical data»
- The colour of anodized aluminium parts can vary due to technical production reasons



Mounting cut-outs [mm]

### Equipment consisting of (schematic overview)




Each Part Number listed below includes all the black components shown in the 3D-drawing.

*To obtain a complete unit, please select the red components from the pages shown.*

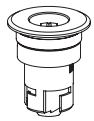


Switching positions (A = Rest, B = Momentary, C = Maintained)

Front ring	Switching action	Switching positions	Switching angle	Key remove	Part No.	Weight
 <p><b>Keylock rotary switch actuator, Front dimension Ø 35 mm</b></p>						
Aluminium natural anodized	C - A	Rest = 12 o'clock	C = 90°	12 o'clock	<b>704.123.018KN</b>	0.12 kg
Aluminium natural anodized	C - A	Rest = 9 o'clock	C = 90°	9 o'clock	<b>704.123.118KN</b>	0.12 kg

## Key-insert switch 2 positions, IP 67

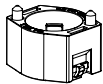
### Equipment consisting of (schematic overview)



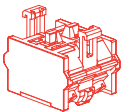
Actuator



Fixing nut



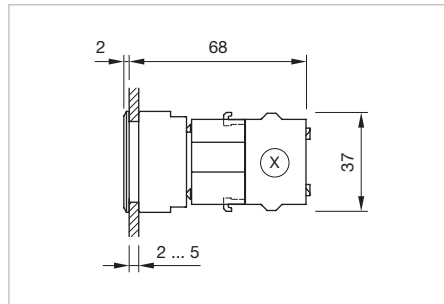
Bayonet flange



Switching element *page 138*

Each Part Number listed below includes all the black components shown in the 3D-drawing.

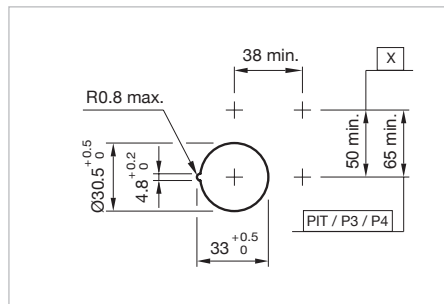
To obtain a complete unit, please select the red components from the pages shown.



Dimensions [mm]  
X = Screw terminal




Product can differ from the current configuration.



Mounting cut-outs [mm]  
PIT = Push-in terminal,  
P3 = Plug-in terminal 6.3 x 0.8 mm,  
P4 = Double plug-in terminal 6.3 x 0.8 mm,  
X = Screw terminal

### Additional Information

- Other terminal options from the part switching element see «Accessories»
- In the Part-No. «x» stands for not defined actuator
- Max. 3 switching element can be clipped on
- The actuator of the key insert switch is being produced according to customer specification. Please contact your local EAO Sales Office

Front ring	Switching action	Switching angle	Part No.	Weight
 <p><b>Key-insert switch actuator 2 positions, Front dimension Ø 38 mm</b></p>	A - C	C = 90°	<b>704.101.0x28</b>	0.130 kg
	A - B	B = 45°	<b>704.103.0x28</b>	0.130 kg

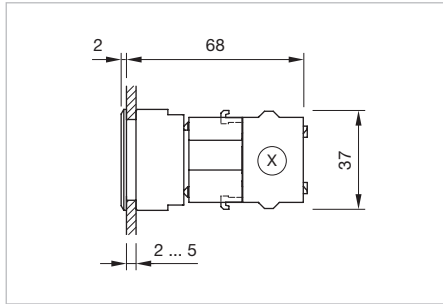
Switching action : A = Rest, B = Momentary, C = Maintain

# 04 Flush design

## Key-insert switch 3 positions, IP 67

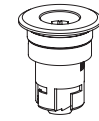


Product can differ from the current configuration.

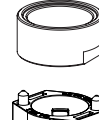


Dimensions [mm]  
X = Screw terminal

### Equipment consisting of (schematic overview)



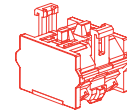
Actuator



Fixing nut



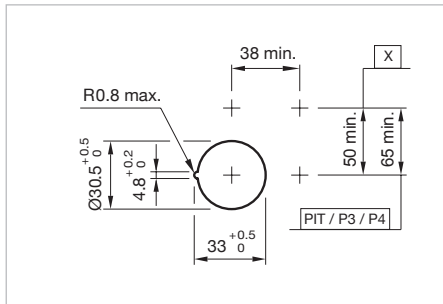
Bayonet flange



Switching element *page 138*

### Additional Information


- Other terminal options from the part switching element see «Accessories»
- In the Part-No. «x» stands for not defined actuator
- Max. 3 switching element can be clipped on
- The actuator of the key insert switch is being produced according to customer specification. Please contact your local EAO Sales Office



Mounting cut-outs [mm]  
PIT = Push-in terminal,  
P3 = Plug-in terminal 6.3 x 0.8 mm,  
P4 = Double plug-in terminal 6.3 x 0.8 mm,  
X = Screw terminal

Each Part Number listed below includes all the black components shown in the 3D-drawing.

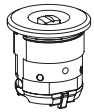
*To obtain a complete unit, please select the red components from the pages shown.*

Front ring	Switching action	Switching angle	Part No.	Weight
 <p><b>Key-insert switch actuator 3 positions, Front dimension Ø 38 mm</b></p>	C - A - C	C = 45° / 45°	<b>704.093.0x28</b>	0.130 kg
	B - A - B	B = 45° / 45°	<b>704.095.0x28</b>	0.130 kg
	C - A - B	C = 45°, B = 45°	<b>704.097.0x28</b>	0.130 kg
	B - A - C	B = 45°, C = 45°	<b>704.099.0x28</b>	0.130 kg

Switching action : A = Rest, B = Momentary, C = Maintain

## Key-insert switch 3 positions conductor switch, IP 67

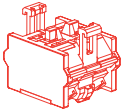
### Equipment consisting of (schematic overview)



Actuator

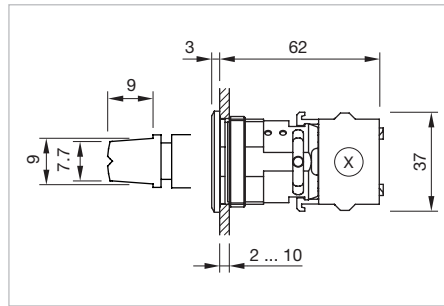


Fixing nut



Switching element

page 138



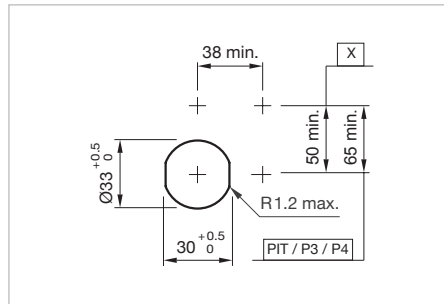
Dimensions [mm]  
X = Screw terminal



Product can differ from the current configuration.

Each Part Number listed below includes all the black components shown in the 3D-drawing.


To obtain a complete unit, please select the red components from the pages shown.



Mounting cut-outs [mm]  
PIT = Push-in terminal,  
P3 = Plug-in terminal 6.3 x 0.8 mm,  
P4 = Double plug-in terminal 6.3 x 0.8 mm,  
X = Screw terminal

### Additional Information

- Other terminal options from the part switching element see «Accessories»
- Max. 1 switching element can be clipped on
- The actuator of the key insert switch is being produced according to customer specification. Please contact your local EAO Sales Office
- Torque clockwise min. 17 Ncm
- Torque anti-clockwise min. 35 Ncm

Product attribute	Front ring	Switching action	Switching angle	Part No.	Weight
					
<b>Key-insert switch actuator 3 positions conductor switch, Front dimension Ø 38 mm</b>					
RIC-key 9x9 mm, EN 14752	Stainless-steel natural	B - A - B	B = 45° / 45°	704.095.0T28	0.190 kg

Switching action: A = Rest, B = Momentary

# 04 Flush design

## Lever switch, IP 54



Product can differ from the current configuration.

### Additional Information

- For all units are the levers 02 (black), 03, 04, 05, 06 (yellow) 13, 14, 15 and 16 available (levers 6 + 16 according UIC 612). Special levers on request
- Front bezel can also be delivered in black version
- The colour of anodized aluminium parts can vary due to technical production reasons
- Functions and properties, including lever style and switching positions of the lever switch are being produced according to customer specifications. Please contact your local EAO Sales Office

S41: Cage clamp 1.0 ... 1.5 mm<sup>2</sup>

S42: JST connector max. 0.2 mm<sup>2</sup> (counter plug is supplied)

S43: Plug-in terminal 6.3 x 0.8 mm

S44: Cage clamp 1.0 ... 1.5 mm<sup>2</sup>


S45: Screw terminal or plug-in terminal 6.3 x 0.8 mm

### Micro-switch contacts

The micro-switch is available with a silver contact or a gold plated silver contact.

Contact without positive opening operation is used in the lever switches S41, S42 and S43. Each lever switch includes a maximum of five micro-switches.

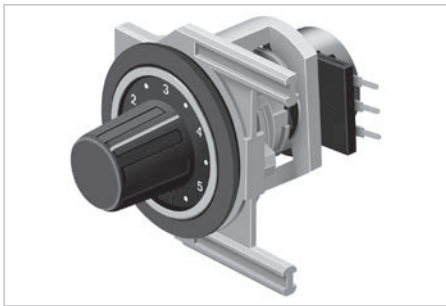
Contact with positive opening operation is used in the lever switches S44 and S45. Each lever switch includes a maximum of four micro-switches.

Product attribute	Lever	Front ring	Switching system	Contacts	Switching action	Part No.	Weight
 <b>Lever switch, Front dimension Ø 40 mm</b>							
Type S41, 1 contact element	Plastic black	Aluminium natural anodized	Snap-action switching element	1 NC / 1 NO	C / B	<b>704.151.XXX</b>	0.23 kg
Type S42, 1 contact element	Plastic black	Aluminium natural anodized	Snap-action switching element	1 NC / 1 NO	C / B	<b>704.152.XXX</b>	0.23 kg
Type S43, 1 contact element	Plastic black	Aluminium natural anodized	Snap-action switching element	1 NC / 1 NO	C / B	<b>704.153.XXX</b>	0.23 kg
Type S44, 1 contact element positive opened	Plastic black	Aluminium natural anodized	Snap-action switching element	1 NC / 1 NO	C / B	<b>704.154.XXX</b>	0.23 kg
Type S45, 1 contact element positive opened	Plastic black	Aluminium natural anodized	Snap-action switching element	1 NC / 1 NO	C / B	<b>704.155.XXX</b>	0.23 kg

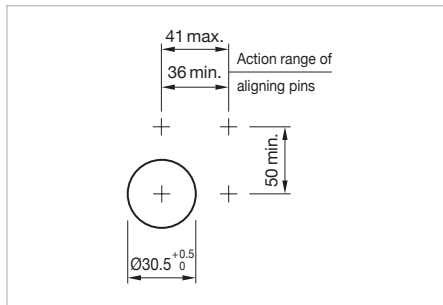
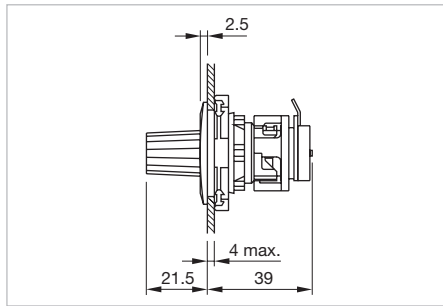
Contacts: NC = Normally closed, NO = Normally open

Switching action : B = Momentary, C = Maintain

## Potentiometer, IP 65



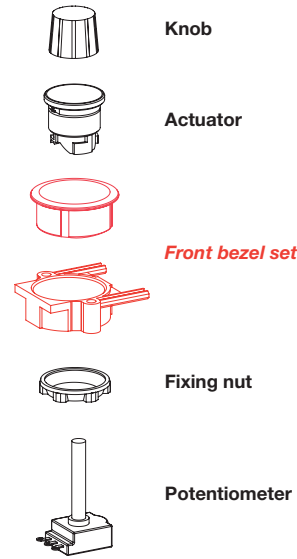
Product can differ from the current configuration.



### Additional Information


- For front dimensions 36 x 36 mm, Ø 36 mm
- Resistor 10 kOhm / linear, series E3
- Power 0.4 W
- Slewing range 300°

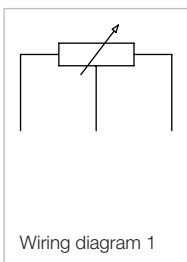
### Equipment consisting of (schematic overview)



Each Part Number listed below includes all the black components shown in the 3D-drawing.

*To obtain a complete unit, please select the red components from the page s shown.*

Product attribute	Front ring	Terminal	Part No.	Wiring diagram	Weight
 <b>Potentiometer</b>	Plastic matt chrome	Solder	<b>44-745.20-10K1</b>	1	0.030 kg
	Plastic matt grey	Solder	<b>44-745.60-10K1</b>	1	0.030 kg
without potentiometer, specification for potentiometer: Shaft = length 32 mm, shaft end = Form A, Ø = 6 mm	Plastic matt chrome		<b>44-744.20</b>		0.016 kg
	Plastic matt grey		<b>44-744.60</b>		0.016 kg

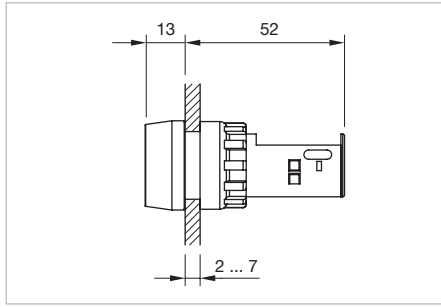


# 04 Raised design

## Indicator full-face illumination compact, IP65



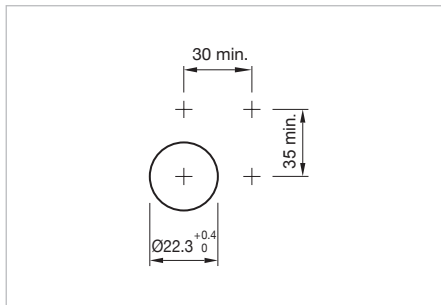
Product can differ from the current configuration.



Dimensions [mm]

### Additional Information

- Housing plastic grey



Mounting cut-outs [mm]

### Equipment consisting of (schematic overview)



Lens cap

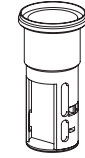


Marking cap



LED

page 150




Actuator

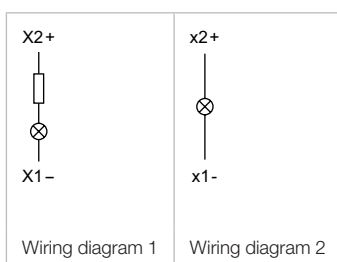


Fixing nut

Each Part Number listed below includes all the black components shown in the 3D-drawing.

To obtain a complete unit, please select the red components from the pages shown.

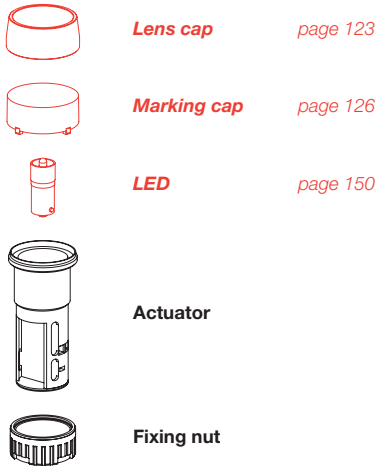
Product attribute	Marking cap	Lens cap	Terminal	Part No.	Wiring diagram	Weight
 Filament lamp 130 V, max. 2.6 W with integrated series resistor 230/130 V	white translucent	Plastic red translucent	Screw	<b>704.022.2</b>	1	0.025 kg
		Plastic yellow translucent	Screw	<b>704.022.4</b>	1	0.025 kg
		Plastic green translucent	Screw	<b>704.022.5</b>	1	0.025 kg
		Plastic blue translucent	Screw	<b>704.022.6</b>	1	0.025 kg
		Plastic colourless translucent	Screw	<b>704.022.7</b>	1	0.025 kg
Filament lamp max. 2.6 W or LED	white translucent	Plastic red translucent	Screw	<b>704.020.2</b>	2	0.020 kg
		Plastic yellow translucent	Screw	<b>704.020.4</b>	2	0.020 kg
		Plastic green translucent	Screw	<b>704.020.5</b>	2	0.020 kg
		Plastic blue translucent	Screw	<b>704.020.6</b>	2	0.020 kg
		Plastic colourless translucent	Screw	<b>704.020.7</b>	2	0.020 kg
	colourless transparent ripped	Plastic red transparent	Screw	<b>704.021.2</b>	2	0.020 kg
		Plastic yellow transparent	Screw	<b>704.021.4</b>	2	0.020 kg
		Plastic green transparent	Screw	<b>704.021.5</b>	2	0.020 kg
		Plastic blue transparent	Screw	<b>704.021.6</b>	2	0.020 kg
		Plastic colourless transparent	Screw	<b>704.021.7</b>	2	0.020 kg





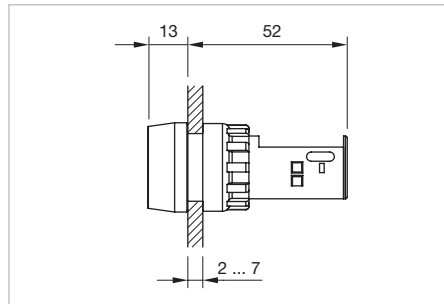
Indicator full face illumination compact round, IP65

Equipment consisting of (schematic overview)

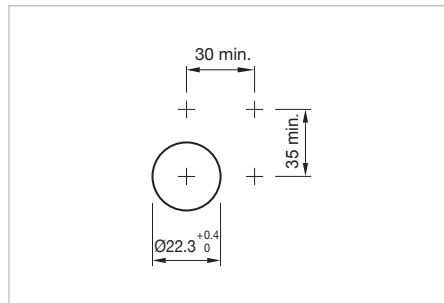


Each Part Number listed below includes all the black components shown in the 3D-drawing.

To obtain a complete unit, please select the red components from the pages shown.



Dimensions [mm]




Mounting cut-outs [mm]

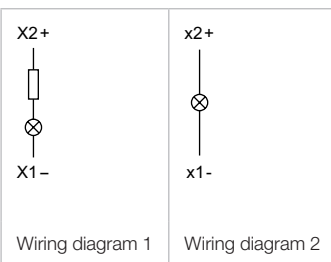


Product can differ from the current configuration.

Additional Information

- For front dimension Ø 29 mm
- Housing plastic grey

Product attribute	Part No.	Wiring diagram	Weight
			
<b>Indicator actuator full face illumination compact</b>			
with series resistor for 220/240 V and incandescent lamp 130 V, 20 mA	<b>704.642.2</b>	1	0.009 kg
without built-in series resistor	<b>704.642.0</b>	1	0.006 kg
with series resistor for 220/240 V and filament lamp 130 V, 20 mA	<b>704.642.1</b>	2	0.020 kg

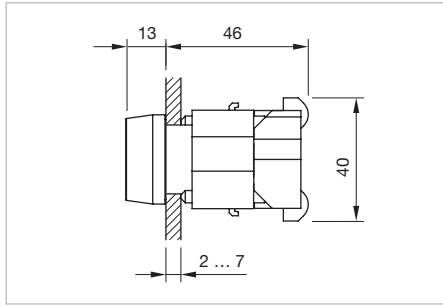


# 04 Raised design

## Indicator full face illumination, IP65



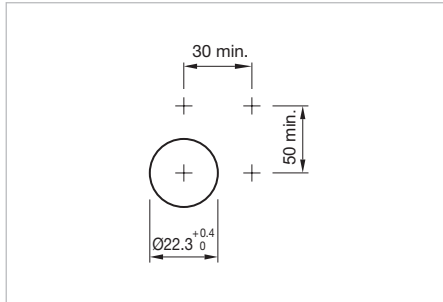
Product can differ from the current configuration.



Dimensions [mm]

### Additional Information

- Housing plastic grey



Mounting cut-outs [mm]

### Equipment consisting of (schematic overview)



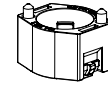
Lens cap



Marking cap



Actuator

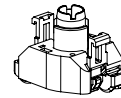


Bayonet flange



LED


page 150




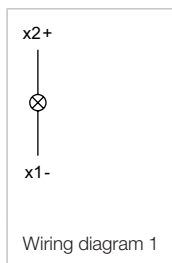
Lamp block

Each Part Number listed below includes all the black components shown in the 3D-drawing.

To obtain a complete unit, please select the red components from the pages shown.

Product attribute	Marking cap	Front bezel	Lens cap	Terminal	Part No.	Wiring diagram	Weight
 <p><b>Indicator actuator full-face illumination, Front dimension 30 x 30 mm</b></p>	white translucent	Plastic grey	Plastic red	Screw	<b>704.200.2</b>	1	0.050 kg
			Plastic yellow	Screw	<b>704.200.4</b>	1	0.050 kg
			Plastic green	Screw	<b>704.200.5</b>	1	0.050 kg
			Plastic blue	Screw	<b>704.200.6</b>	1	0.050 kg
			Plastic colourless	Screw	<b>704.200.7</b>	1	0.050 kg
		Plastic black	Plastic red	Screw	<b>704.199.2</b>	1	0.050 kg
			Plastic yellow	Screw	<b>704.199.4</b>	1	0.050 kg
			Plastic green	Screw	<b>704.199.5</b>	1	0.050 kg
			Plastic colourless	Screw	<b>704.199.7</b>	1	0.050 kg

Product attribute	Marking cap	Front bezel	Lens cap	Terminal	Part No.	Wiring diagram	Weight
 <p><b>Indicator actuator full-face illumination, Front dimension Ø 29 mm</b></p>							
Filament lamp or LED	white translucent		Plastic red	Screw	<b>704.000.2</b>	1	0.050 kg
			Plastic yellow	Screw	<b>704.000.4</b>	1	0.050 kg
			Plastic green	Screw	<b>704.000.5</b>	1	0.050 kg
			Plastic blue	Screw	<b>704.000.6</b>	1	0.050 kg
			Plastic colourless	Screw	<b>704.000.7</b>	1	0.050 kg
	colourless transparent ripped		Plastic red	Screw	<b>704.001.2</b>	1	0.050 kg
			Plastic yellow	Screw	<b>704.001.4</b>	1	0.050 kg
			Plastic green	Screw	<b>704.001.5</b>	1	0.050 kg
			Plastic blue	Screw	<b>704.001.6</b>	1	0.050 kg
			Plastic colourless	Screw	<b>704.001.7</b>	1	0.050 kg

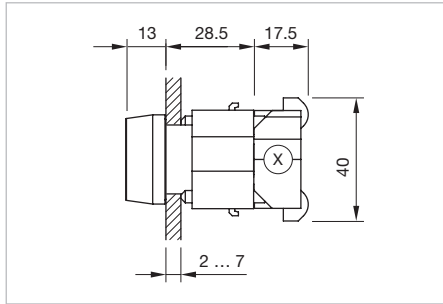


# 04 Raised design

## Indicator full face illumination square, IP65



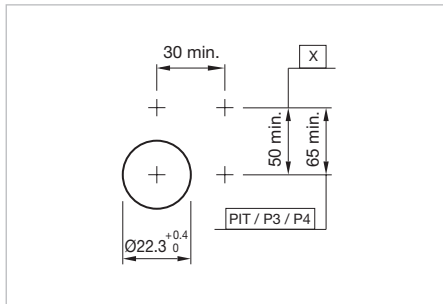
Product can differ from the current configuration.



Dimensions [mm]  
X = Screw terminal

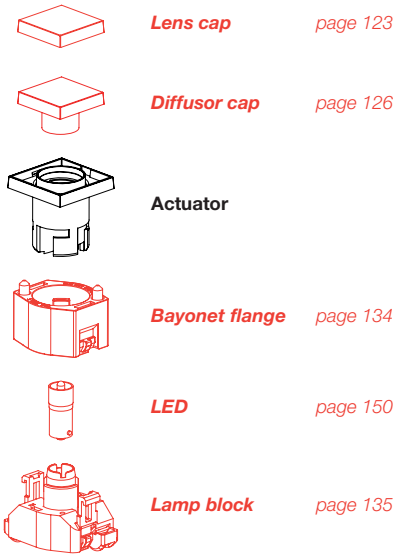
### Additional Information

- For front dimension 30 x 30 mm
- Housing plastic grey
- Other terminal options from the part lamp block see «Accessories»




Mounting cut-outs [mm]  
PIT = Push-in terminal,  
P3 = Plug-in terminal 6.3 x 0.8 mm,  
P4 = Double plug-in terminal 6.3 x 0.8 mm,  
X = Screw terminal

### Equipment consisting of (schematic overview)






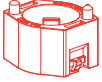

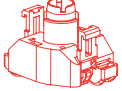
Each Part Number listed below includes all the black components shown in the 3D-drawing.

*To obtain a complete unit, please select the red components from the pages shown.*

Part No.	Weight
 <b>Indicator actuator full face illumination square</b>	
704.730.0	0.005 kg
704.730.1	0.005 kg

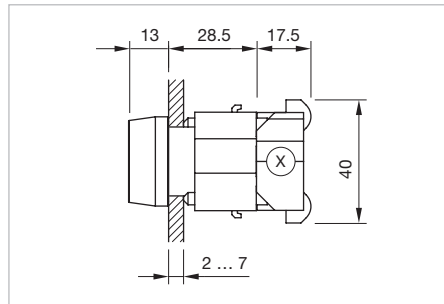
## Indicator full face illumination round, IP65

### Equipment consisting of (schematic overview)

	<b>Lens cap</b>	<i>page 123</i>
	<b>Marking cap</b>	<i>page 126</i>
	<b>Actuator</b>	
	<b>Bayonet flange</b>	<i>page 134</i>
	<b>LED</b>	<i>page 150</i>
	<b>Lamp block</b>	<i>page 135</i>

Each Part Number listed below includes all the black components shown in the 3D-drawing.

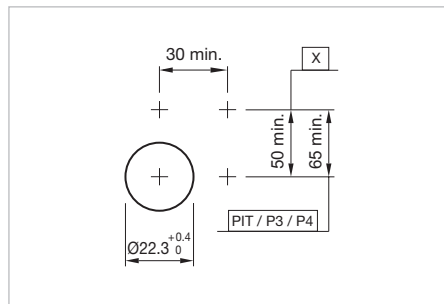
To obtain a complete unit, please select the red components from the pages shown.



Dimensions [mm]  
X = Screw terminal




Product can differ from the current configuration.



Mounting cut-outs [mm]  
PIT = Push-in terminal,  
P3 = Plug-in terminal 6.3 x 0.8 mm,  
P4 = Double plug-in terminal 6.3 x 0.8 mm,  
X = Screw terminal

### Additional Information

- For front dimension Ø 29 mm
- Housing plastic grey
- Other terminal options from the part lamp block see «Accessories»

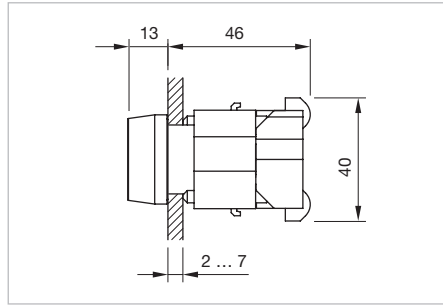
Part No.		Weight
	<b>Indicator actuator full face illumination round</b>	
704.630.1		0.005 kg

# 04 Raised design

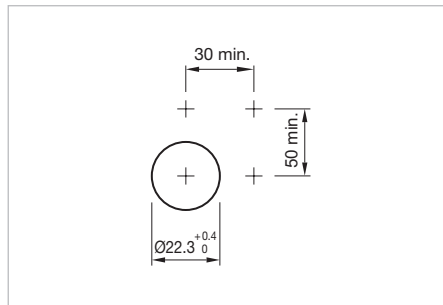
## Indicator front illumination, IP65



Product can differ from the current configuration.

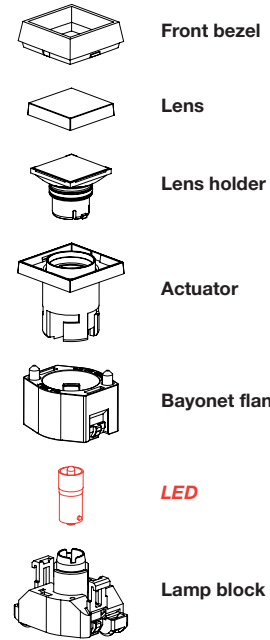


Dimensions [mm]




Mounting cut-outs [mm]


### Equipment consisting of (schematic overview)

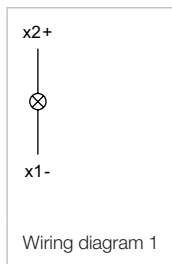


Each Part Number listed below includes all the black components shown in the 3D-drawing.

To obtain a complete unit, please select the red components from the pages shown.

Product attribute	Marking plate	Housing	Front ring	Front bezel	Lens	Terminal	Part No.	Wiring diagram	Weight
 <p><b>Indicator actuator front illumination, Front dimension 30 x 30 mm</b></p>									
Filament lamp or LED	white translucent	Plastic black		Plastic grey	Plastic red	Screw	<b>704.202.2</b>	1	0.050 kg
					Plastic yellow	Screw	<b>704.202.4</b>	1	0.050 kg
					Plastic green	Screw	<b>704.202.5</b>	1	0.050 kg
					Plastic blue	Screw	<b>704.202.6</b>	1	0.050 kg
					Plastic colourless	Screw	<b>704.202.7</b>	1	0.050 kg
				Plastic black	Plastic red	Screw	<b>704.206.2</b>	1	0.050 kg
					Plastic yellow	Screw	<b>704.206.4</b>	1	0.050 kg
					Plastic green	Screw	<b>704.206.5</b>	1	0.050 kg
					Plastic blue	Screw	<b>704.206.6</b>	1	0.050 kg
					Plastic colourless	Screw	<b>704.206.7</b>	1	0.050 kg
	colourless transparent	Plastic black		Plastic grey	Plastic red	Screw	<b>704.203.2</b>	1	0.050 kg
					Plastic yellow	Screw	<b>704.203.4</b>	1	0.050 kg
					Plastic green	Screw	<b>704.203.5</b>	1	0.050 kg
					Plastic blue	Screw	<b>704.203.6</b>	1	0.050 kg
					Plastic colourless	Screw	<b>704.203.7</b>	1	0.050 kg
				Plastic black	Plastic green	Screw	<b>704.207.5</b>	1	0.050 kg
					Plastic blue	Screw	<b>704.207.6</b>	1	0.050 kg

Product attribute	Marking plate	Housing	Front ring	Front bezel	Lens	Terminal	Part No.	Wiring diagram	Weight	
 <p><b>Indicator actuator front illumination, Front dimension Ø 29 mm</b></p>										
Filament lamp or LED	white translucent	Plastic grey	Plastic grey		Plastic red	Screw	<b>704.002.2</b>	1	0.050 kg	
					Plastic yellow	Screw	<b>704.002.4</b>	1	0.050 kg	
					Plastic green	Screw	<b>704.002.5</b>	1	0.050 kg	
					Plastic blue	Screw	<b>704.002.6</b>	1	0.050 kg	
					Plastic colourless	Screw	<b>704.002.7</b>	1	0.050 kg	
		colourless transparent ripped	Plastic grey	Plastic grey		Plastic black	Screw	<b>704.006.2</b>	1	0.050 kg
						Plastic red	Screw	<b>704.006.2</b>	1	0.050 kg
						Plastic yellow	Screw	<b>704.006.4</b>	1	0.050 kg
						Plastic green	Screw	<b>704.006.5</b>	1	0.050 kg
						Plastic blue	Screw	<b>704.006.6</b>	1	0.050 kg
					Plastic colourless	Screw	<b>704.006.7</b>	1	0.050 kg	
					Plastic red	Screw	<b>704.003.2</b>	1	0.050 kg	
					Plastic yellow	Screw	<b>704.003.4</b>	1	0.050 kg	
					Plastic green	Screw	<b>704.003.5</b>	1	0.050 kg	
					Plastic blue	Screw	<b>704.003.6</b>	1	0.050 kg	
					Plastic colourless	Screw	<b>704.003.7</b>	1	0.050 kg	

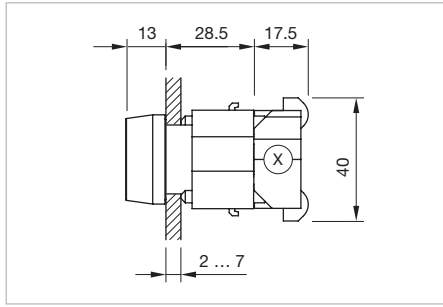


# 04 Raised design

## Indicator front illumination square, IP65



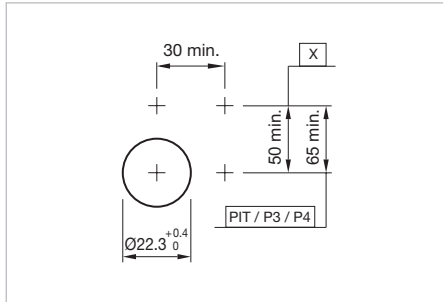
Product can differ from the current configuration.



Dimensions [mm]  
X = Screw terminal

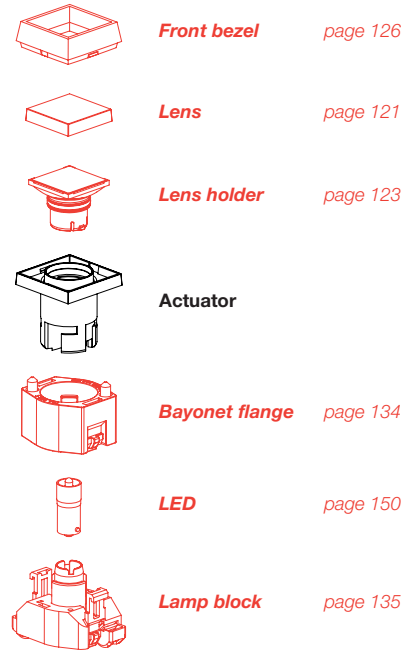
### Additional Information

- For front dimension 30 x 30 mm
- Other terminal options from the part lamp block see «Accessories»




Mounting cut-outs [mm]  
PIT = Push-in terminal,  
P3 = Plug-in terminal 6.3 x 0.8 mm,  
P4 = Double plug-in terminal 6.3 x 0.8 mm,  
X = Screw terminal

### Equipment consisting of (schematic overview)



Each Part Number listed below includes all the black components shown in the 3D-drawing.

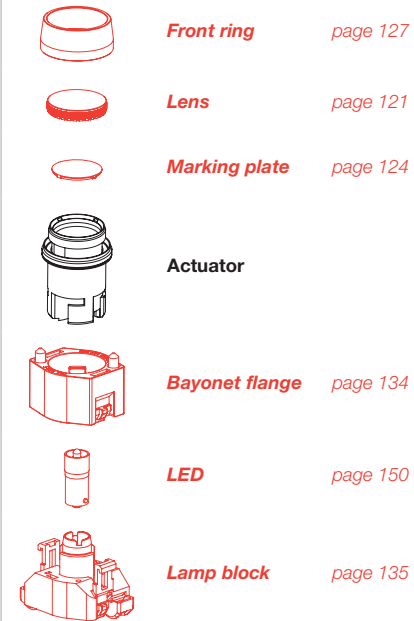
*To obtain a complete unit, please select the red components from the pages shown.*

Housing	Part No.	Weight
 <p><b>Indicator actuator front illumination square</b></p>		
Plastic black	<b>704.733.0</b>	0.020 kg
Plastic grey	<b>704.733.1</b>	0.020 kg



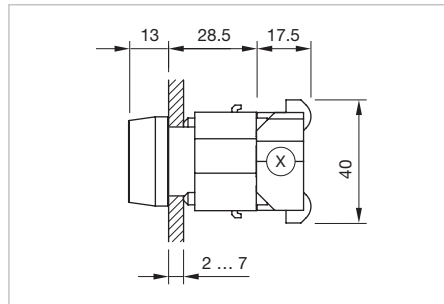
## Indicator front illumination round, IP65

### Equipment consisting of (schematic overview)

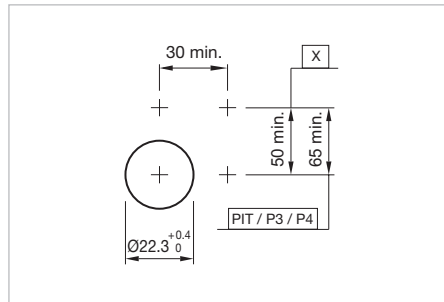


Each Part Number listed below includes all the black components shown in the 3D-drawing.

To obtain a complete unit, please select the red components from the pages shown.



Dimensions [mm]  
X = Screw terminal



Mounting cut-outs [mm]  
PIT = Push-in terminal,  
P3 = Plug-in terminal 6.3 x 0.8 mm,  
P4 = Double plug-in terminal 6.3 x 0.8 mm,  
X = Screw terminal



Product can differ from the current configuration.

### Additional Information

- For front dimension  $\varnothing$  29 mm
- Lens flat or raised possible; equal choose marking plate or marking cap
- Housing plastic grey
- Other terminal options from the part lamp block see «Accessories»

Part No.

Weight



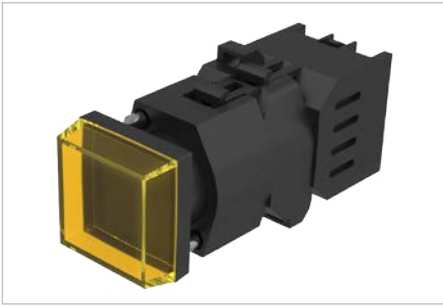
Indicator actuator front illumination round

704.633.1

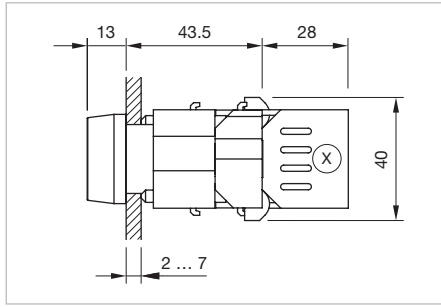
0.020 kg

# 04 Raised design

## Flasher full face illumination, IP65



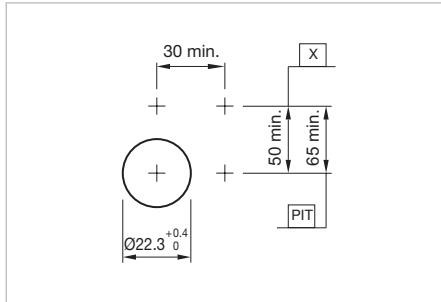
Product can differ from the current configuration.



Dimensions [mm]  
X = Screw terminal

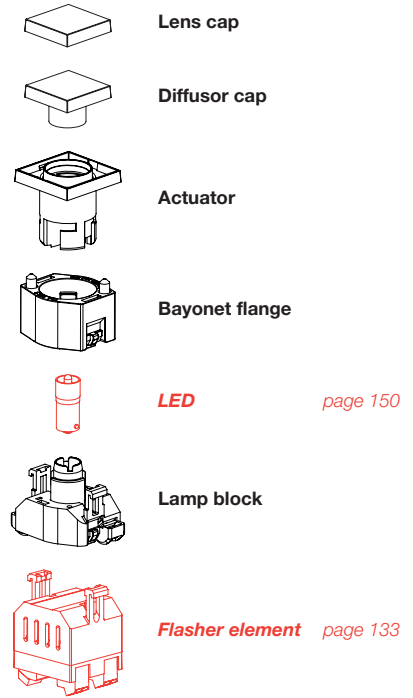
### Additional Information

- The lamp block will be delivered with screw terminal
- Other terminal options of the part flasher element see «Accessories»




Mounting cut-outs [mm]  
PIT = Push-in terminal,  
X = Screw terminal


### Equipment consisting of (schematic overview)

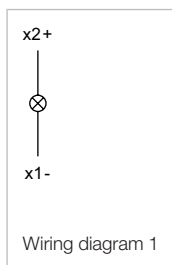


Each Part Number listed below includes all the black components shown in the 3D-drawing.

*To obtain a complete unit, please select the red components from the pages shown.*

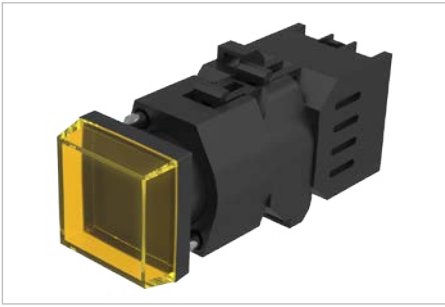
Product attribute	Diffusor cap	Housing	Front bezel	Lens cap	Part No.	Wiring diagram	Weight
	white translucent	Plastic black	Plastic grey	Plastic red	<b>704.200.2</b>	1	0.050 kg
				Plastic yellow	<b>704.200.4</b>	1	0.050 kg
				Plastic green	<b>704.200.5</b>	1	0.050 kg
				Plastic blue	<b>704.200.6</b>	1	0.050 kg
				Plastic colourless	<b>704.200.7</b>	1	0.050 kg
			Plastic black	Plastic red	<b>704.199.2</b>	1	0.050 kg
				Plastic yellow	<b>704.199.4</b>	1	0.050 kg
				Plastic green	<b>704.199.5</b>	1	0.050 kg
				Plastic colourless	<b>704.199.7</b>	1	0.050 kg
				Filament lamp or LED			

Product attribute	Diffusor cap	Housing	Front bezel	Lens cap	Part No.	Wiring diagram	Weight
 <p><b>Flasher actuator full face illumination, Front dimension Ø 29 mm</b></p>							
Filament lamp or LED	white translucent	Plastic grey		Plastic red	<b>704.000.2</b>	1	0.050 kg
				Plastic yellow	<b>704.000.4</b>	1	0.050 kg
				Plastic green	<b>704.000.5</b>	1	0.050 kg
				Plastic blue	<b>704.000.6</b>	1	0.050 kg
				Plastic colourless	<b>704.000.7</b>	1	0.050 kg
	colourless transparent ripped	Plastic grey		Plastic red	<b>704.001.2</b>	1	0.050 kg
				Plastic yellow	<b>704.001.4</b>	1	0.050 kg
				Plastic green	<b>704.001.5</b>	1	0.050 kg
				Plastic blue	<b>704.001.6</b>	1	0.050 kg
				Plastic colourless	<b>704.001.7</b>	1	0.050 kg

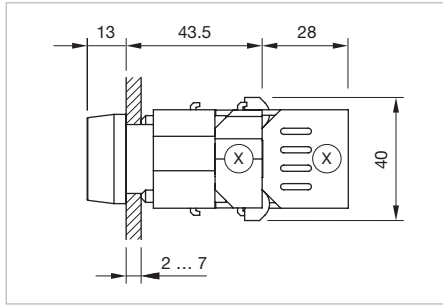


# 04 Raised design

## Flasher full face illumination square, IP65



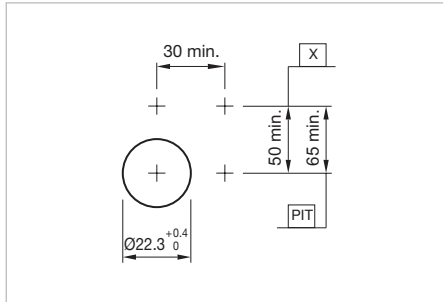
Product can differ from the current configuration.



Dimensions [mm]  
X = Screw terminal

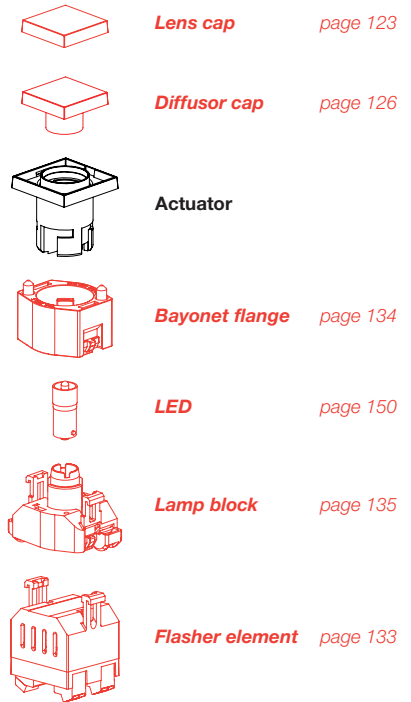
### Additional Information

- For front dimension 30 x 30 mm
- Other terminal options from the part flasher element and lamp block see «Accessories»



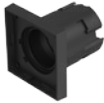
Mounting cut-outs [mm]  
PIT = Push-in terminal,  
X = Screw terminal

### Equipment consisting of (schematic overview)






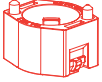
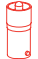
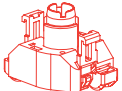
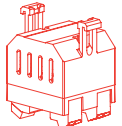
Each Part Number listed below includes all the black components shown in the 3D-drawing.

*To obtain a complete unit, please select the red components from the pages shown.*

Housing	Part No.	Weight
 <p><b>Flasher actuator full face illumination square</b></p>	704.730.0	0.050 kg
	704.730.1	0.050 kg

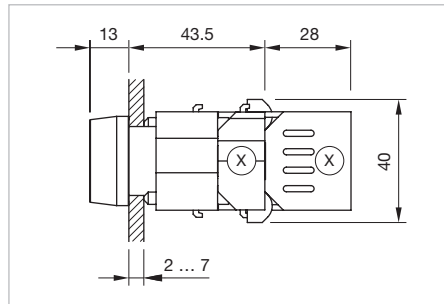
**Flasher full face illumination round, IP65**

**Equipment consisting of (schematic overview)**

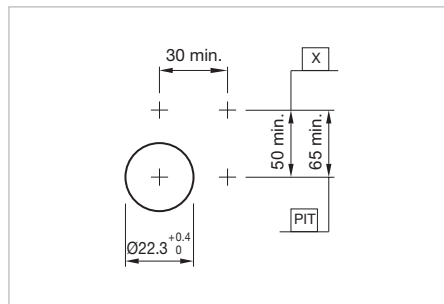
-  **Lens cap** *page 123*
-  **Marking cap** *page 126*
-  **Actuator**
-  **Bayonet flange** *page 134*
-  **LED** *page 150*
-  **Lamp block** *page 135*
-  **Flasher element** *page 133*

Each Part Number listed below includes all the black components shown in the 3D-drawing.

*To obtain a complete unit, please select the red components from the pages shown.*



Dimensions [mm]  
X = Screw terminal




Mounting cut-outs [mm]  
PIT = Push-in terminal,  
X = Screw terminal



Product can differ from the current configuration.

**Additional Information**

- For front dimension Ø 29 mm
- Housing plastic grey
- Other terminal options from the part flasher element and lamp block see «Accessories»

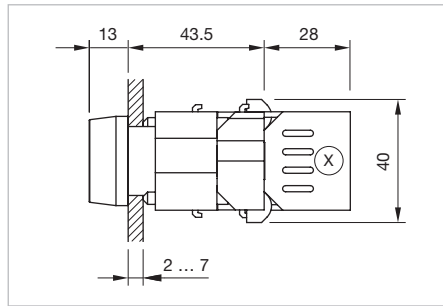
Part No.	Weight
 <p><b>Flasher actuator full face illumination round</b></p>	
<b>704.630.1</b>	0.020 kg

# 04 Raised design

## Flasher front illumination, IP65



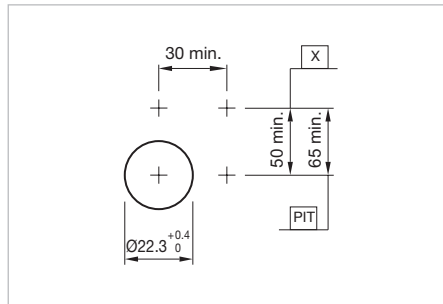
Product can differ from the current configuration.



Dimensions [mm]  
X = Screw terminal

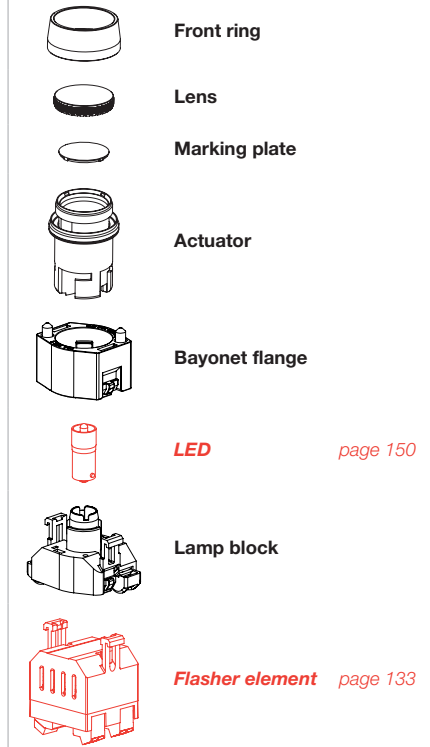
### Additional Information

- The lamp block will be delivered with screw terminal
- Other terminal options of the part flasher element see «Accessories»




Mounting cut-outs [mm]  
PIT = Push-in terminal,  
X = Screw terminal

### Equipment consisting of (schematic overview)



Each Part Number listed below includes all the black components shown in the 3D-drawing.

To obtain a complete unit, please select the red components from the pages shown.

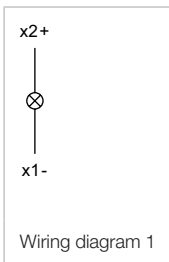
Product attribute	Marking plate	Housing	Front ring	Front bezel	Lens	Part No.	Wiring diagram	Weight	
 <p><b>Flasher actuator front illumination, Front dimension 30 x 30 mm</b></p>	white translucent	Plastic black		Plastic grey	Plastic red	<b>704.202.2</b>	1	0.050 kg	
					Plastic yellow	<b>704.202.4</b>	1	0.050 kg	
					Plastic green	<b>704.202.5</b>	1	0.050 kg	
					Plastic blue	<b>704.202.6</b>	1	0.050 kg	
					Plastic colourless	<b>704.202.7</b>	1	0.050 kg	
					Plastic black	Plastic red	<b>704.206.2</b>	1	0.050 kg
						Plastic yellow	<b>704.206.4</b>	1	0.050 kg
				Plastic green		<b>704.206.5</b>	1	0.050 kg	
				Plastic blue		<b>704.206.6</b>	1	0.050 kg	
				Plastic colourless		<b>704.206.7</b>	1	0.050 kg	

Product attribute	Marking plate	Housing	Front ring	Front bezel	Lens	Part No.	Wiring diagram	Weight
	colourless transparent	Plastic black		Plastic grey	Plastic red	<b>704.203.2</b>	1	0.050 kg
					Plastic yellow	<b>704.203.4</b>	1	0.050 kg
					Plastic green	<b>704.203.5</b>	1	0.050 kg
					Plastic blue	<b>704.203.6</b>	1	0.050 kg
					Plastic colourless	<b>704.203.7</b>	1	0.050 kg
				Plastic black	Plastic green	<b>704.207.5</b>	1	0.050 kg
				Plastic blue	<b>704.207.6</b>	1	0.050 kg	



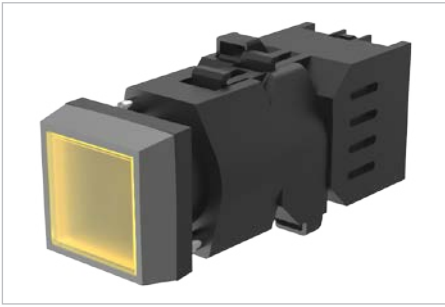
**Flasher actuator front illumination, Front dimension Ø 29 mm**

Filament lamp or LED	white translucent	Plastic grey	Plastic grey		Plastic red	<b>704.002.2</b>	1	0.050 kg
					Plastic yellow	<b>704.002.4</b>	1	0.050 kg
					Plastic green	<b>704.002.5</b>	1	0.050 kg
					Plastic blue	<b>704.002.6</b>	1	0.050 kg
					Plastic colourless	<b>704.002.7</b>	1	0.050 kg
			Plastic black		Plastic red	<b>704.006.2</b>	1	0.050 kg
					Plastic yellow	<b>704.006.4</b>	1	0.050 kg
					Plastic green	<b>704.006.5</b>	1	0.050 kg
					Plastic blue	<b>704.006.6</b>	1	0.050 kg
					Plastic colourless	<b>704.006.7</b>	1	0.050 kg
	colourless transparent ripped	Plastic grey	Plastic grey		Plastic red	<b>704.003.2</b>	1	0.050 kg
					Plastic yellow	<b>704.003.4</b>	1	0.050 kg
					Plastic green	<b>704.003.5</b>	1	0.050 kg
					Plastic blue	<b>704.003.6</b>	1	0.050 kg
					Plastic colourless	<b>704.003.7</b>	1	0.050 kg

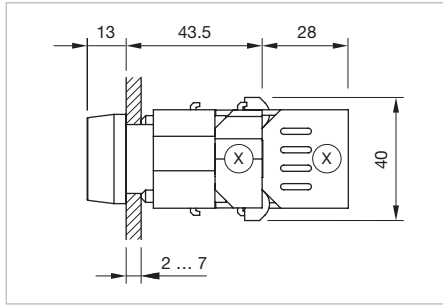


# 04 Raised design

## Flasher front illumination square, IP65



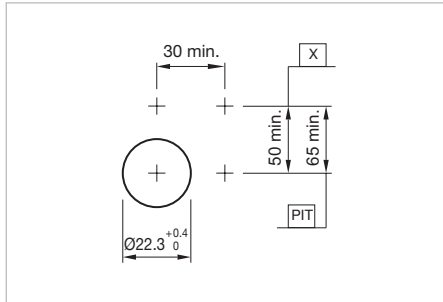
Product can differ from the current configuration.



Dimensions [mm]  
X = Screw terminal

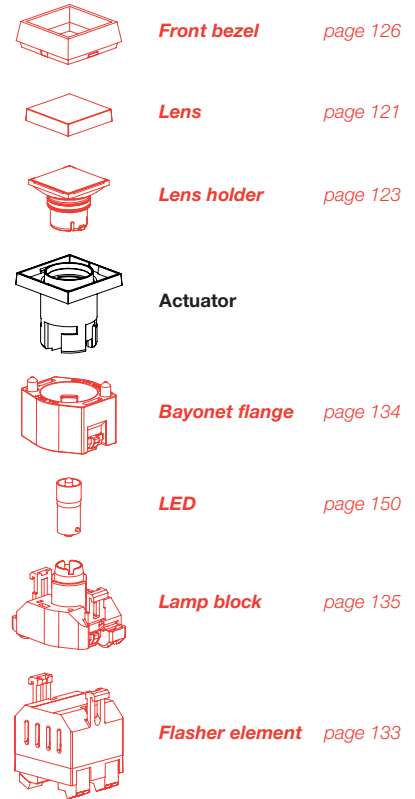
### Additional Information

- For front dimension 30 x 30 mm
- Other terminal options from the part flasher element and lamp block see «Accessories»




Mounting cut-outs [mm]  
PIT = Push-in terminal,  
X = Screw terminal

### Equipment consisting of (schematic overview)



Each Part Number listed below includes all the black components shown in the 3D-drawing.





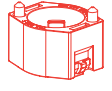
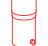
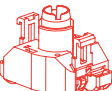
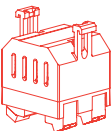
To obtain a complete unit, please select the red components from the pages shown.

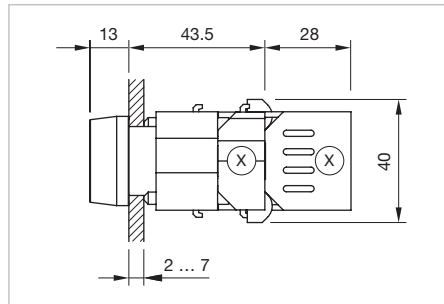
Housing	Part No.	Weight
 <p><b>Flasher front illumination square</b></p>		
Plastic black	<b>704.733.0</b>	0.020 kg
Plastic grey	<b>704.733.1</b>	0.020 kg



## Flasher front illumination round, IP65

### Equipment consisting of (schematic overview)

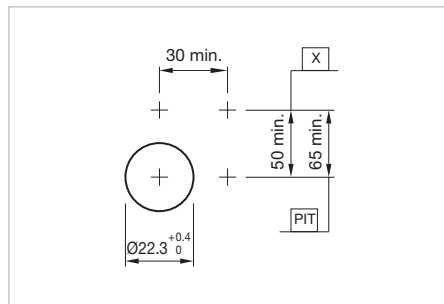
	<b>Front ring</b>	page 130
	<b>Lens</b>	page 123
	<b>Marking plate</b>	page 127
	<b>Actuator</b>	
	<b>Bayonet flange</b>	page 136
	<b>LED</b>	page 151
	<b>Lamp block</b>	page 137
	<b>Flasher element</b>	page 135



Dimensions [mm]  
X = Screw terminal



Product can differ from the current configuration.




Mounting cut-outs [mm]  
PIT = Push-in terminal,  
X = Screw terminal

### Additional Information

- For front dimension  $\varnothing 29$  mm
- Lens flat or raised possible; equal choose marking plate or marking cap
- Housing plastic grey
- Other terminal options from the part flasher element and lamp block see «Accessories»

Each Part Number listed below includes all the black components shown in the 3D-drawing.

To obtain a complete unit, please select the red components from the pages shown.

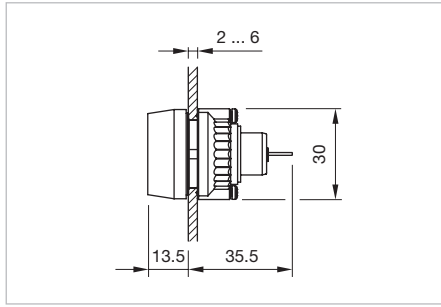
Part No.	Weight
 <p><b>Flasher actuator front illumination round</b></p>	
704.633.1	0.020 kg

# 04 Raised design

## Buzzer, IP65

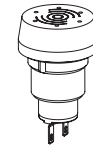


Product can differ from the current configuration.



Dimensions [mm]

### Equipment consisting of (schematic overview)



Buzzer

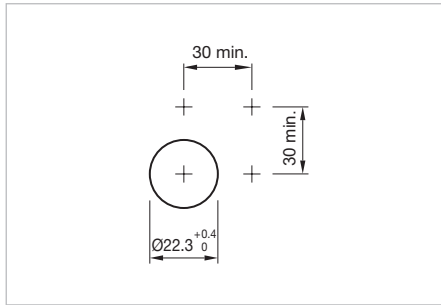


Fixing nut

Each Part Number listed below includes all the black components shown in the 3D-drawing.

### Additional Information

- Further information see «Technical data»

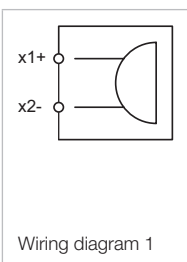


Mounting cut-outs [mm]

Operating voltage	Front cap	Terminal	Part No.	Wiring diagram	Weight
24 VDC	Plastic black	Solder 2.8 x 0.5 mm	<b>14-810.002</b>	1	0.016 kg
	Brass nickel-plated	Solder 2.8 x 0.5 mm	<b>14-810.902</b>	1	0.016 kg

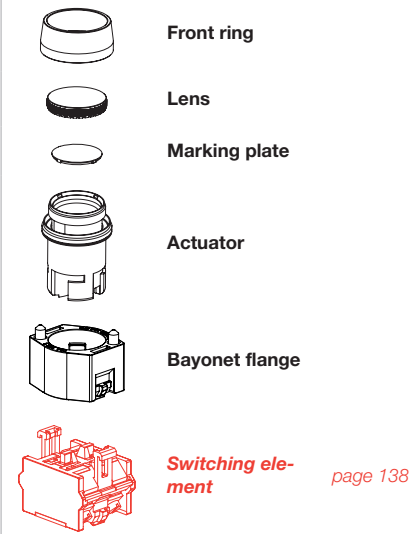


### Buzzer, Front dimension Ø 29 mm



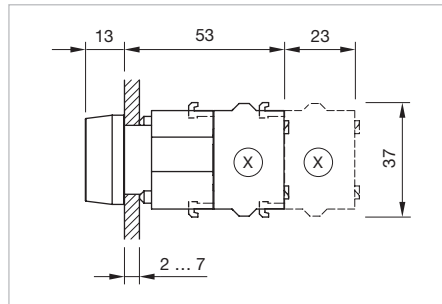
## Pushbutton

### Equipment consisting of (schematic overview)

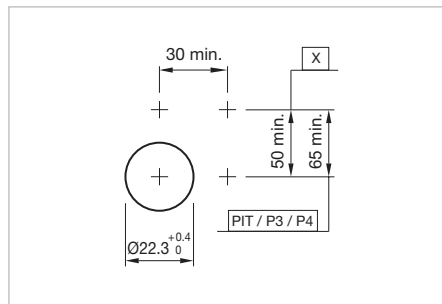


Each Part Number listed below includes all the black components shown in the 3D-drawing.

To obtain a complete unit, please select the red components from the pages shown.



Dimensions [mm]  
X = Screw terminal




Mounting cut-outs [mm]  
PIT = Push-in terminal,  
P3 = Plug-in terminal 6.3 x 0.8 mm,  
P4 = Double plug-in terminal 6.3 x 0.8 mm,  
X = Screw terminal




Product can differ from the current configuration.

### Additional Information

- Other terminal options from the part switching element see «Accessories»
- The colour of anodized aluminium parts can vary due to technical production reasons
- Frontring with protective cover to be mounted with a torque of 40 Ncm onto actuator
- Max. 3 switching elements can be clipped on

Front protection	Front ring	Front bezel	Lens	Switching action	Part No.	Wiring diagram	Weight
 <p><b>Pushbutton actuator, Front dimension 30 x 30 mm</b></p>							
IP65		Plastic grey	Plastic black	B	<b>704.210.0</b>	1	0.040 kg
			Plastic red	B	<b>704.210.2</b>	1	0.040 kg
			Plastic yellow	B	<b>704.210.4</b>	1	0.040 kg
			Plastic green	B	<b>704.210.5</b>	1	0.040 kg
			Plastic blue	B	<b>704.210.6</b>	1	0.040 kg
			Plastic colourless	B	<b>704.210.7</b>	1	0.040 kg
		Plastic black	Plastic black	B	<b>704.209.0</b>	1	0.040 kg
			Plastic red	B	<b>704.209.2</b>	1	0.040 kg
			Plastic yellow	B	<b>704.209.4</b>	1	0.040 kg
			Plastic green	B	<b>704.209.5</b>	1	0.040 kg
			Plastic blue	B	<b>704.209.6</b>	1	0.040 kg
			Plastic colourless	B	<b>704.209.7</b>	1	0.040 kg
		Plastic grey	Plastic black	C	<b>704.240.0</b>	2	0.040 kg
			Plastic red	C	<b>704.240.2</b>	2	0.040 kg
			Plastic yellow	C	<b>704.240.4</b>	2	0.040 kg
Plastic green	C		<b>704.240.5</b>	2	0.040 kg		
Plastic colourless	C		<b>704.240.7</b>	2	0.040 kg		

# 04 Raised design

Front protection	Front ring	Front bezel	Lens	Switching action	Part No.	Wiring diagram	Weight
IP65		Plastic black	Plastic black	C	<b>704.239.0</b>	2	0.040 kg
			Plastic red	C	<b>704.239.2</b>	2	0.040 kg
			Plastic green	C	<b>704.239.5</b>	2	0.040 kg
			Plastic colourless	C	<b>704.239.7</b>	2	0.040 kg
 <p><b>Pushbutton actuator, Front dimension Ø 29 mm</b></p>							
IP65	Plastic grey		Plastic black	B	<b>704.010.0</b>	1	0.040 kg
			Plastic red	B	<b>704.010.2</b>	1	0.040 kg
			Plastic yellow	B	<b>704.010.4</b>	1	0.040 kg
			Plastic green	B	<b>704.010.5</b>	1	0.040 kg
			Plastic blue	B	<b>704.010.6</b>	1	0.040 kg
			Plastic colourless	B	<b>704.010.7</b>	1	0.040 kg
	Plastic black		Plastic black	B	<b>704.009.0</b>	1	0.040 kg
			Plastic red	B	<b>704.009.2</b>	1	0.040 kg
			Plastic yellow	B	<b>704.009.4</b>	1	0.040 kg
			Plastic green	B	<b>704.009.5</b>	1	0.040 kg
			Plastic blue	B	<b>704.009.6</b>	1	0.040 kg
			Plastic colourless	B	<b>704.009.7</b>	1	0.040 kg
	Plastic grey		Plastic black	C	<b>704.040.0</b>	2	0.040 kg
			Plastic red	C	<b>704.040.2</b>	2	0.040 kg
			Plastic yellow	C	<b>704.040.4</b>	2	0.040 kg
			Plastic green	C	<b>704.040.5</b>	2	0.040 kg
			Plastic blue	C	<b>704.040.6</b>	2	0.040 kg
			Plastic colourless	C	<b>704.040.7</b>	2	0.040 kg
	Plastic black		Plastic black	C	<b>704.039.0</b>	2	0.040 kg
			Plastic red	C	<b>704.039.2</b>	2	0.040 kg
			Plastic yellow	C	<b>704.039.4</b>	2	0.040 kg
			Plastic green	C	<b>704.039.5</b>	2	0.040 kg
			Plastic blue	C	<b>704.039.6</b>	2	0.040 kg
			Plastic colourless	C	<b>704.039.7</b>	2	0.040 kg
	Aluminium natural anodized		Aluminium black anodized	B	<b>704.011.0</b>	1	0.040 kg
			Aluminium red anodized	B	<b>704.011.2</b>	1	0.040 kg
			Aluminium gold anodized	B	<b>704.011.4</b>	1	0.040 kg
			Aluminium olive-green anodized	B	<b>704.011.5</b>	1	0.040 kg
			Aluminium blue anodized	B	<b>704.011.6</b>	1	0.040 kg
			Aluminium natural anodized	B	<b>704.011.8</b>	1	0.040 kg
			Plastic black	B	<b>704.012.0</b>	1	0.040 kg
			Plastic red	B	<b>704.012.2</b>	1	0.040 kg
			Plastic yellow	B	<b>704.012.4</b>	1	0.040 kg
			Plastic green	B	<b>704.012.5</b>	1	0.040 kg
			Plastic blue	B	<b>704.012.6</b>	1	0.040 kg
			Plastic colourless	B	<b>704.012.7</b>	1	0.040 kg
			Aluminium black anodized	C	<b>704.041.0</b>	2	0.040 kg
			Aluminium red anodized	C	<b>704.041.2</b>	2	0.040 kg
			Aluminium olive-green anodized	C	<b>704.041.5</b>	2	0.040 kg
			Aluminium blue anodized	C	<b>704.041.6</b>	2	0.040 kg
Aluminium natural anodized			C	<b>704.041.8</b>	2	0.040 kg	

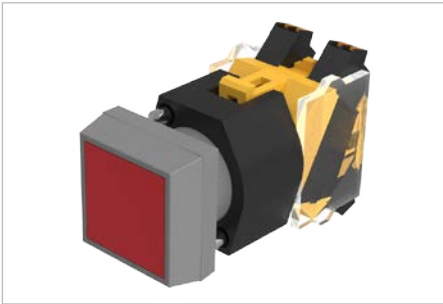
Front protection	Front ring	Front bezel	Lens	Switching action	Part No.	Wiring diagram	Weight
IP65	Aluminium natural anodized		Kunststoff schwarz	C	<b>704.042.0</b>	2	0.040 kg
			Plastic red	C	<b>704.042.2</b>	2	0.040 kg
			Plastic yellow	C	<b>704.042.4</b>	2	0.040 kg
			Plastic green	C	<b>704.042.5</b>	2	0.040 kg
			Plastic blue	C	<b>704.042.6</b>	2	0.040 kg
			Plastic colourless	C	<b>704.042.7</b>	2	0.040 kg
IP 67	Aluminium natural anodized with protective cap		Plastic black	B	<b>704.013.0</b>	1	0.040 kg
			Plastic red	B	<b>704.013.2</b>	1	0.040 kg
			Plastic yellow	B	<b>704.013.4</b>	1	0.040 kg
			Plastic green	B	<b>704.013.5</b>	1	0.040 kg
			Plastic blue	B	<b>704.013.6</b>	1	0.040 kg
			Plastic colourless	B	<b>704.013.7</b>	1	0.040 kg
			Plastic black	C	<b>704.043.0</b>	2	0.040 kg
			Plastic red	C	<b>704.043.2</b>	2	0.040 kg
Plastic colourless	C	<b>704.043.7</b>	2	0.040 kg			

Switching action : B = Momentary, C = Maintain

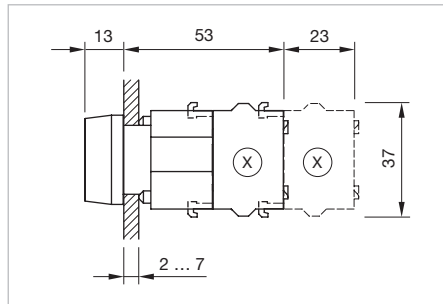
E---	E~--
Wiring diagram 1	Wiring diagram 2

# 04 Raised design

## Pushbutton square, IP65



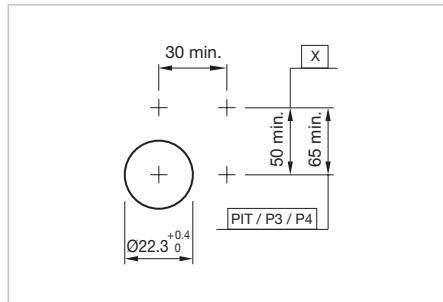
Product can differ from the current configuration.



Dimensions [mm]  
X = Screw terminal

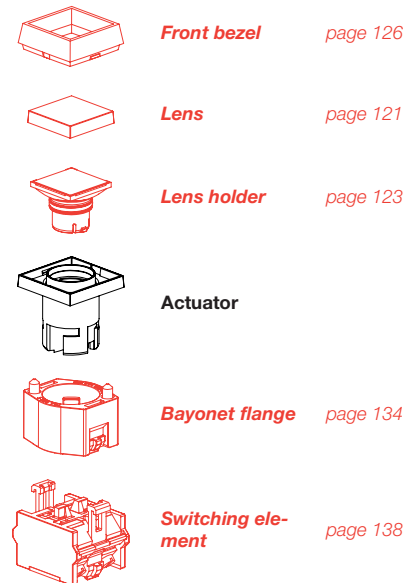
### Additional Information

- For front dimension 30 x 30 mm
- Other terminal options from the part switching element see «Accessories»
- Max. 3 switching elements can be clipped on




Mounting cut-outs [mm]  
PIT = Push-in terminal,  
P3 = Plug-in terminal 6.3 x 0.8 mm,  
P4 = Double plug-in terminal 6.3 x 0.8 mm,  
X = Screw terminal

### Equipment consisting of (schematic overview)

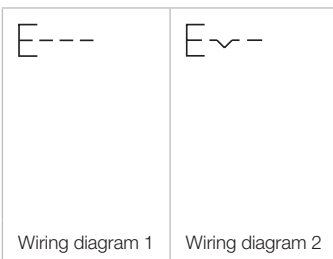


Each Part Number listed below includes all the black components shown in the 3D-drawing.

*To obtain a complete unit, please select the red components from the pages shown.*

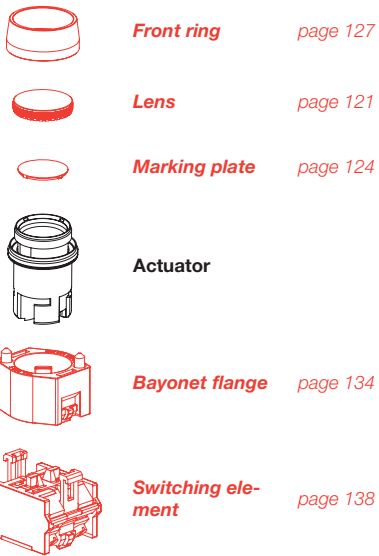
Housing	Switching action	Part No.	Wiring diagram	Weight
	<b>Pushbutton actuator square</b>			
Plastic black	B	<b>704.731.0</b>	1	0.020 kg
Plastic grey	B	<b>704.731.1</b>	1	0.020 kg
Plastic black	C	<b>704.732.0</b>	2	0.020 kg
Plastic grey	C	<b>704.732.1</b>	2	0.020 kg

Switching action : B = Momentary, C = Maintain



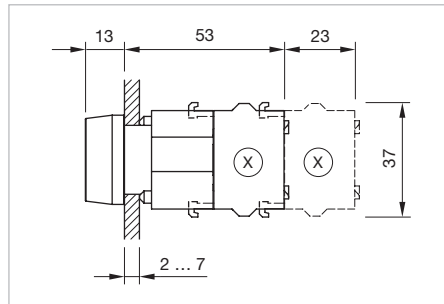
## Pushbutton round, IP65

### Equipment consisting of (schematic overview)

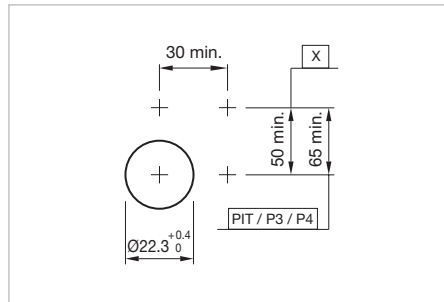


Each Part Number listed below includes all the black components shown in the 3D-drawing.

To obtain a complete unit, please select the red components from the pages shown.



Dimensions [mm]  
X = Screw terminal




Mounting cut-outs [mm]  
PIT = Push-in terminal,  
P3 = Plug-in terminal 6.3 x 0.8 mm,  
P4 = Double plug-in terminal 6.3 x 0.8 mm,  
X = Screw terminal



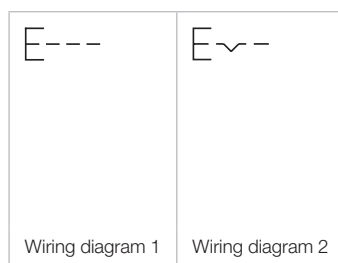
Product can differ from the current configuration.

### Additional Information

- For front dimension  $\varnothing$  29 mm
- Housing plastic grey
- Other terminal options from the part switching element see «Accessories»
- Max. 3 switching elements can be clipped on

Switching action	Part No.	Wiring diagram	Weight
			
<b>Pushbutton actuator round</b>			
B	<b>704.631.1</b>	1	0.009 kg
C	<b>704.632.1</b>	2	0.009 kg

Switching action : B = Momentary, C = Maintain

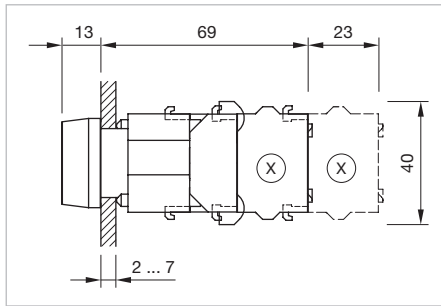


# 04 Raised design

## Illuminated pushbutton



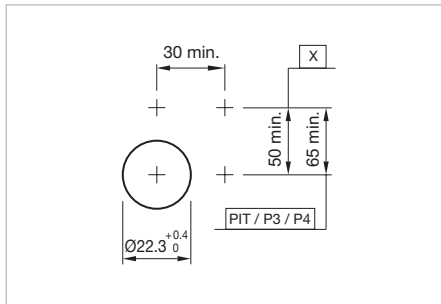
Product can differ from the current configuration.



Dimensions [mm]  
X = Screw terminal

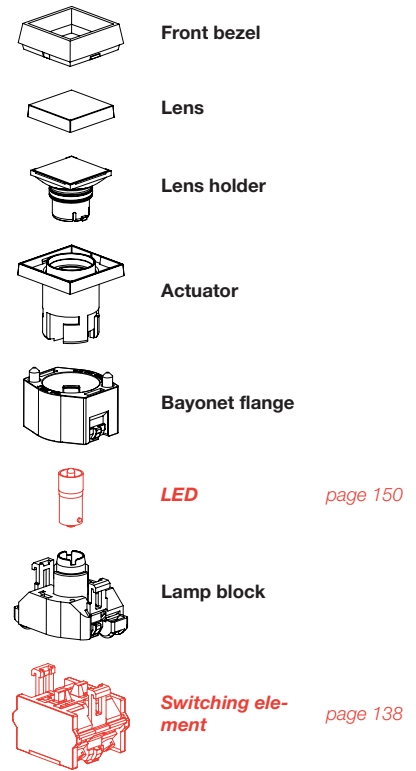
### Additional Information

- Other terminal options from the part switching element see «Accessories»
- The lamp block will be delivered with screw terminal
- Frontring with protective cover to be mounted with a torque of 40 Ncm onto actuator
- Max. 3 switching elements can be clipped on
- The colour of anodized aluminium parts can vary due to technical production reasons



Mounting cut-outs [mm]  
PIT = Push-in terminal,  
P3 = Plug-in terminal 6.3 x 0.8 mm,  
P4 = Double plug-in terminal 6.3 x 0.8 mm,  
X = Screw terminal

### Equipment consisting of (schematic overview)



Each Part Number listed below includes all the black components shown in the 3D-drawing.

To obtain a complete unit, please select the red components from the pages shown.

Front protection	Housing	Front ring	Front bezel	Lens	Switching action	Part No.	Wiring diagram	Weight
	Plastic black		Plastic grey	Plastic red	B	<b>704.230.2</b>	1	0.056 kg
				Plastic yellow	B	<b>704.230.4</b>	1	0.056 kg
				Plastic green	B	<b>704.230.5</b>	1	0.056 kg
				Plastic blue	B	<b>704.230.6</b>	1	0.056 kg
				Plastic colourless	B	<b>704.230.7</b>	1	0.056 kg
				Plastic black	Plastic red	B	<b>704.229.2</b>	1
			Plastic yellow	B	<b>704.229.4</b>	1	0.056 kg	
			Plastic green	B	<b>704.229.5</b>	1	0.056 kg	
			Plastic blue	B	<b>704.229.6</b>	1	0.056 kg	
			Plastic colourless	B	<b>704.229.7</b>	1	0.056 kg	
			Plastic grey	Plastic red	C	<b>704.260.2</b>	2	0.056 kg
			Plastic yellow	C	<b>704.260.4</b>	2	0.056 kg	
			Plastic green	C	<b>704.260.5</b>	2	0.056 kg	
			Plastic blue	C	<b>704.260.6</b>	2	0.056 kg	
			Plastic colourless	C	<b>704.260.7</b>	2	0.056 kg	



Front protection	Housing	Front ring	Front bezel	Lens	Switching action	Part No.	Wiring diagram	Weight
IP65	Plastic black		Plastic black	Plastic red	C	<b>704.259.2</b>	2	0.056 kg
				Plastic yellow	C	<b>704.259.4</b>	2	0.056 kg
				Plastic green	C	<b>704.259.5</b>	2	0.056 kg
				Plastic blue	C	<b>704.259.6</b>	2	0.056 kg
				Plastic colourless	C	<b>704.259.7</b>	2	0.056 kg



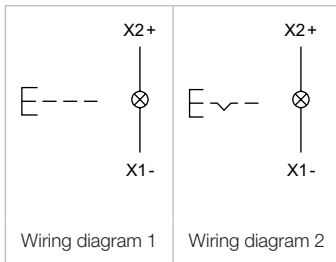
**Illuminated pushbutton actuator, Front dimension Ø 29 mm**

IP65	Plastic grey	Plastic grey		Plastic red	B	<b>704.030.2</b>	1	0.056 kg		
				Plastic yellow	B	<b>704.030.4</b>	1	0.056 kg		
				Plastic green	B	<b>704.030.5</b>	1	0.056 kg		
				Plastic blue	B	<b>704.030.6</b>	1	0.056 kg		
				Plastic colourless	B	<b>704.030.7</b>	1	0.056 kg		
		Plastic black				Plastic red	B	<b>704.029.2</b>	1	0.056 kg
						Plastic yellow	B	<b>704.029.4</b>	1	0.056 kg
						Plastic green	B	<b>704.029.5</b>	1	0.056 kg
						Plastic blue	B	<b>704.029.6</b>	1	0.056 kg
						Plastic colourless	B	<b>704.029.7</b>	1	0.056 kg
		Plastic grey				Plastic red	C	<b>704.060.2</b>	2	0.056 kg
						Plastic yellow	C	<b>704.060.4</b>	2	0.056 kg
						Plastic green	C	<b>704.060.5</b>	2	0.056 kg
						Plastic blue	C	<b>704.060.6</b>	2	0.056 kg
						Plastic colourless	C	<b>704.060.7</b>	2	0.056 kg
		Plastic black				Plastic red	C	<b>704.059.2</b>	2	0.056 kg
						Plastic yellow	C	<b>704.059.4</b>	2	0.056 kg
						Plastic green	C	<b>704.059.5</b>	2	0.056 kg
						Plastic colourless	C	<b>704.059.7</b>	2	0.056 kg
		Aluminium natural anodized				Plastic red	B	<b>704.032.2</b>	1	0.056 kg
						Plastic yellow	B	<b>704.032.4</b>	1	0.056 kg
						Plastic green	B	<b>704.032.5</b>	1	0.056 kg
						Plastic blue	B	<b>704.032.6</b>	1	0.056 kg
						Plastic colourless	B	<b>704.032.7</b>	1	0.056 kg
		Aluminium natural anodized with protective cap				Plastic red	B	<b>704.033.2</b>	1	0.056 kg
						Plastic yellow	B	<b>704.033.4</b>	1	0.056 kg
						Plastic green	B	<b>704.033.5</b>	1	0.056 kg
						Plastic blue	B	<b>704.033.6</b>	1	0.056 kg
						Plastic colourless	B	<b>704.033.7</b>	1	0.056 kg
		Aluminium natural anodized				Plastic red	C	<b>704.062.2</b>	2	0.056 kg
Plastic yellow	C					<b>704.062.4</b>	2	0.056 kg		
Plastic green	C					<b>704.062.5</b>	2	0.056 kg		
Plastic blue	C					<b>704.062.6</b>	2	0.056 kg		
Plastic colourless	C					<b>704.062.7</b>	2	0.056 kg		

# 04 Raised design

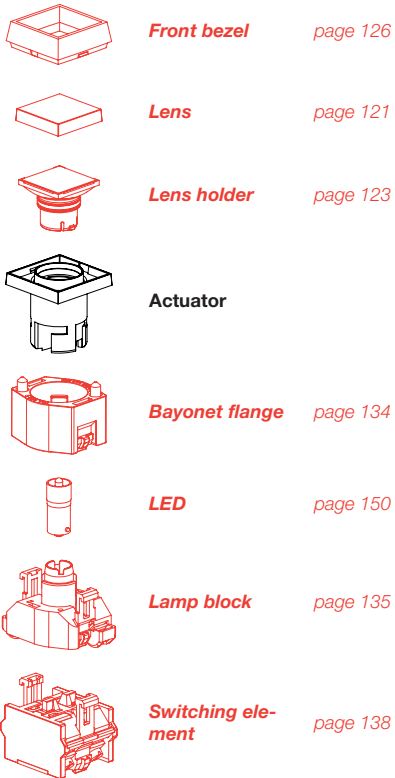
Front protection	Housing	Front ring	Front bezel	Lens	Switching action	Part No.	Wiring diagram	Weight
IP 67	Plastic grey	Aluminium natural anodized with protective cap		Plastic red	C	<b>704.063.2</b>	2	0.056 kg
				Plastic yellow	C	<b>704.063.4</b>	2	0.056 kg
				Plastic green	C	<b>704.063.5</b>	2	0.056 kg
				Plastic blue	C	<b>704.063.6</b>	2	0.056 kg
				Plastic colourless	C	<b>704.063.7</b>	2	0.056 kg

Switching action : B = Momentary, C = Maintain



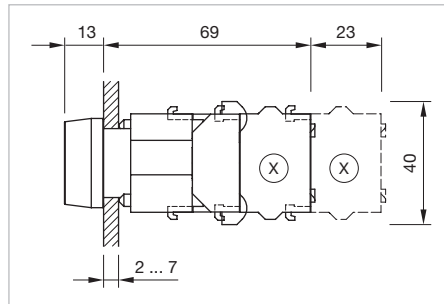
## Illuminated pushbutton square, IP65

### Equipment consisting of (schematic overview)

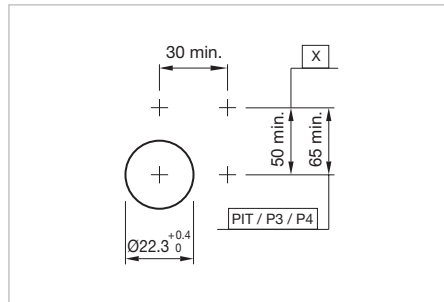


Each Part Number listed below includes all the black components shown in the 3D-drawing.

To obtain a complete unit, please select the red components from the pages shown.



Dimensions [mm]  
X = Screw terminal




Mounting cut-outs [mm]  
PIT = Push-in terminal,  
P3 = Plug-in terminal 6.3 x 0.8 mm,  
P4 = Double plug-in terminal 6.3 x 0.8 mm,  
X = Screw terminal



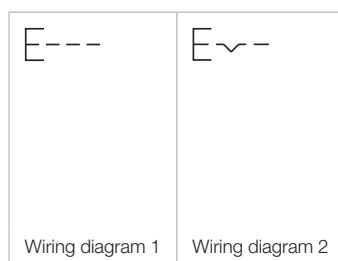
Product can differ from the current configuration.

### Additional Information

- For front dimension 30 x 30 mm
- Other terminal options from the parts switching element and lamp block see «Accessories»
- Max. 3 switching elements can be clipped on

Housing	Switching action	Part No.	Wiring diagram	Weight
				
<b>Illuminated pushbutton actuator square</b>				
Plastic black	B	<b>704.731.0</b>	1	0.020 kg
Plastic grey	B	<b>704.731.1</b>	1	0.020 kg
	C	<b>704.732.1</b>	2	0.020 kg
Plastic black	C	<b>704.732.0</b>	2	0.020 kg

Switching action : B = Momentary, C = Maintain

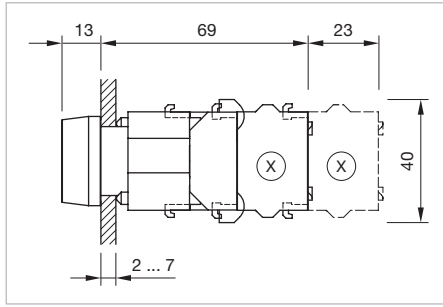


# 04 Raised design

## Illuminated pushbutton round, IP65



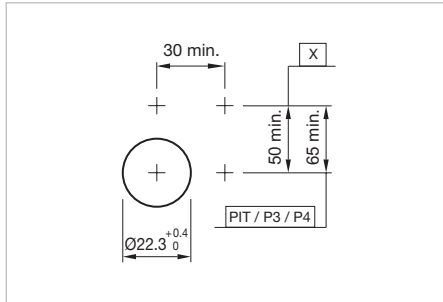
Product can differ from the current configuration.



Dimensions [mm]  
X = Screw terminal

### Additional Information

- For front dimension  $\varnothing 29$  mm
- Lens flat or raised possible; equal choose marking plate or marking cap
- Lens metal with spot possible
- Housing plastic grey
- Other terminal options from the parts switching element and lamp block see «Accessories»
- Max. 3 switching elements can be clipped on



Mounting cut-outs [mm]  
PIT = Push-in terminal,  
P3 = Plug-in terminal 6.3 x 0.8 mm,  
P4 = Double plug-in terminal 6.3 x 0.8 mm,  
X = Screw terminal

### Equipment consisting of (schematic overview)



**Front ring** page 127



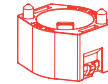
**Lens** page 121



**Marking plate** page 124



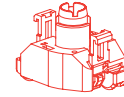
**Actuator**



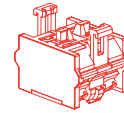
**Bayonet flange** page 134



**LED** page 150




**Lamp block** page 135



**Switching element** page 138

Each Part Number listed below includes all the black components shown in the 3D-drawing.

To obtain a complete unit, please select the red components from the pages shown.

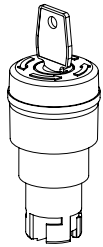
Switching action	Part No.	Wiring diagram	Weight
 <p><b>Illuminated pushbutton actuator round</b></p>	<b>704.631.1</b>	1	0.009 kg
	<b>704.632.1</b>	2	0.009 kg

Switching action : B = Momentary, C = Maintain

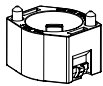
E---	E~--
Wiring diagram 1	Wiring diagram 2

## Emergency-stop switch, foolproof EN IEC 60947-5-5, IP65

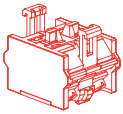
### Equipment consisting of (schematic overview)



Actuator



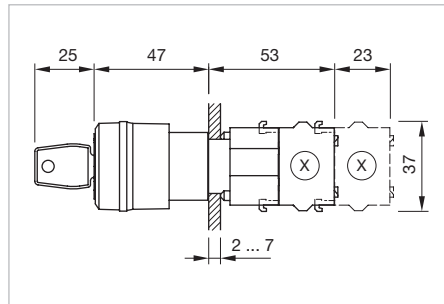
Bayonet flange



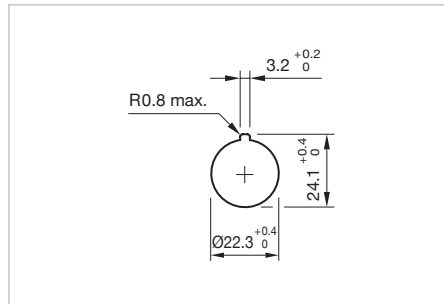
Switching element *page 138*

Each Part Number listed below includes all the black components shown in the 3D-drawing.

To obtain a complete unit, please select the red components from the pages shown.



Dimensions [mm]  
X = Screw terminal







Mounting cut-outs [mm]



Product can differ from the current configuration.

### Additional Information

- Other terminal options from the part switching element see «Accessories»
- Shaft yellow
- Lock type Euro-Locks 9500
- Two keys are supplied with each key lock switch
- Max. 3 slow-make elements can be clipped on
- Application as per DIN EN ISO 13850 and EN 60204-1
- Part. No. 704.064.2 and 704.066.2 are not an application as per DIN EN ISO 13850 and EN 60204-1

Product attribute	Lens	Marking	Switching action	Part No.	Wiring diagram	Weight
	<b>Emergency-stop switch actuator, foolproof EN IEC 60947-5-5, Front dimension Ø 37 mm</b>					
Twist to unlock anti-clockwise	Plastic red	Arrows	C	<b>704.064.2A</b>	1	0.300 kg
	<b>Emergency-stop switch actuator, foolproof EN IEC 60947-5-5, Front dimension Ø 37 mm</b>					
Key to unlock anti-clockwise	Plastic red	Arrows	C	<b>704.066.2A</b>	1	0.300 kg
	<b>Emergency-stop switch actuator, foolproof EN IEC 60947-5-5, Front dimension Ø 37 mm</b>					
Twist to unlock anti-clockwise	Plastic red	Arrows	C	<b>704.064.2</b>	1	0.300 kg
	<b>Emergency-stop switch actuator, foolproof EN IEC 60947-5-5, Front dimension Ø 37 mm</b>					
Key to unlock anti-clockwise	Plastic red	Arrows	C	<b>704.066.2</b>	1	0.300 kg

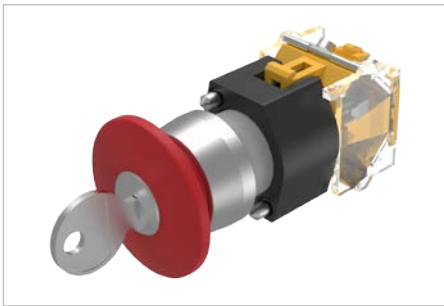
Switching action : C = Maintain



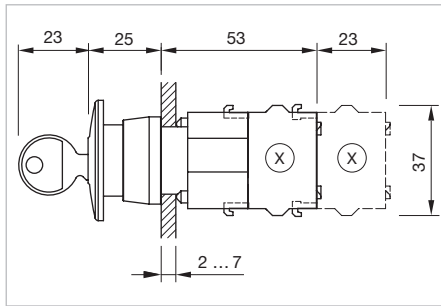
Wiring diagram 1

# 04 Raised design

## Stop switch, IP65



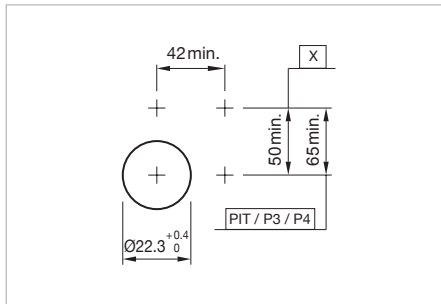
Product can differ from the current configuration.



Dimensions [mm]  
X = Screw terminal

### Additional Information

- The colour of anodized aluminium parts can vary due to technical production reasons
- Other terminal options from the part switching element see «Accessories»
- The standard lock Ronis 251
- Two keys are supplied with each key lock switch
- Max. 3 switching elements can be clipped on

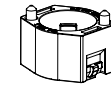


Mounting cut-outs [mm]  
PIT = Push-in terminal,  
P3 = Plug-in terminal 6.3 x 0.8 mm,  
P4 = Double plug-in terminal 6.3 x 0.8 mm,  
X = Screw terminal

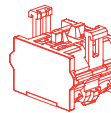
### Equipment consisting of (schematic overview)



Actuator





Bayonet flange



Switching element [page 138](#)

Each Part Number listed below includes all the black components shown in the 3D-drawing.

To obtain a complete unit, please select the red components from the pages shown.

Product attribute	Front ring	Lens	Marking	Switching action	Part No.	Wiring diagram	Weight
 <p><b>Stop switch actuator, Front dimension Ø 40 mm</b></p>							
Twist to unlock clockwise	Plastic grey	Plastic red	Arrows	C	<b>704.074.2</b>	1	0.047 kg
			Stop	C	<b>704.074.3</b>	1	0.047 kg
	Aluminium natural anodized	Plastic red	Arrows	C	<b>704.075.2</b>	1	0.047 kg
			Stop	C	<b>704.075.3</b>	1	0.047 kg
 <p><b>Stop switch actuator, Front dimension Ø 40 mm</b></p>							
Key to unlock clockwise	Plastic grey	Plastic red	without	C	<b>704.076.0</b>	1	0.063 kg
			without	C	<b>704.078.0</b>	1	0.063 kg

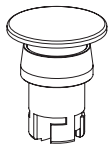
Switching action : C = Maintain



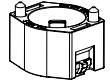
Wiring diagram 1

**Mushroom-head pushbutton, IP65**

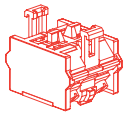
**Equipment consisting of (schematic overview)**



**Actuator**



**Bayonet flange**

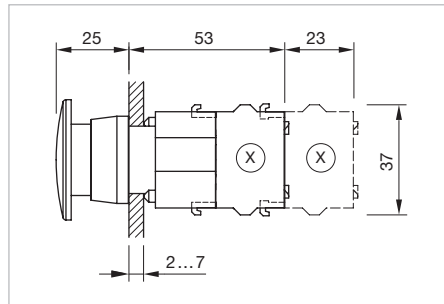


**Switching element**

page 138

Each Part Number listed below includes all the black components shown in the 3D-drawing.

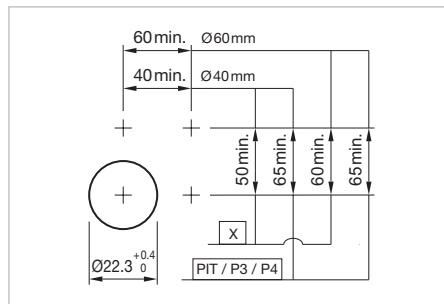
To obtain a complete unit, please select the red components from the pages shown.



Dimensions [mm]  
X = Screw terminal




Product can differ from the current configuration.




Mounting cut-outs [mm]  
PIT = Push-in terminal,  
P3 = Plug-in terminal 6.3 x 0.8 mm,  
P4 = Double plug-in terminal 6.3 x 0.8 mm,  
X = Screw terminal

**Additional Information**

- Other terminal options from the part switching element see «Accessories»
- The colour of anodized aluminium parts can vary due to technical production reasons
- Max. 3 switching elements can be clipped on

Front ring	Lens	Switching action	Part No.	Wiring diagram	Weight
 <p><b>Mushroom-head pushbutton actuator, Front dimension Ø 40 mm</b></p>					
Plastic grey	Plastic black	B	<b>704.070.0</b>	1	0.044 kg
	Plastic red	B	<b>704.070.2</b>	1	0.044 kg
	Plastic yellow	B	<b>704.070.4</b>	1	0.044 kg
	Plastic green	B	<b>704.070.5</b>	1	0.044 kg
Aluminium natural anodized	Plastic black	B	<b>704.071.0</b>	1	0.044 kg
	Plastic red	B	<b>704.071.2</b>	1	0.044 kg
	Plastic yellow	B	<b>704.071.4</b>	1	0.044 kg
	Plastic green	B	<b>704.071.5</b>	1	0.044 kg
Plastic grey	Plastic black	C	<b>704.072.0</b>	2	0.044 kg
	Plastic red	C	<b>704.072.2</b>	2	0.044 kg
Aluminium natural anodized	Plastic black	C	<b>704.073.0</b>	2	0.044 kg
	Plastic red	C	<b>704.073.2</b>	2	0.044 kg
	Plastic yellow	C	<b>704.073.4</b>	2	0.044 kg
	Plastic green	C	<b>704.073.5</b>	2	0.044 kg

# 04 Raised design

Front ring	Lens	Switching action	Part No.	Wiring diagram	Weight
 <p><b>Mushroom-head pushbutton actuator, Front dimension Ø 60 mm</b></p>					
Aluminium natural anodized	Aluminium red anodized	B	<b>704.079.2</b>	1	0.060 kg
		C	<b>704.075.2I</b>	2	0.069 kg

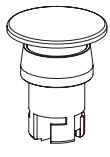
Switching action : B = Momentary, C = Maintain

E---	E~--
Wiring diagram 1	Wiring diagram 2

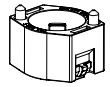


## Illuminated mushroom head pushbutton, IP65

### Equipment consisting of (schematic overview)



Actuator

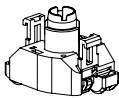


Bayonet flange

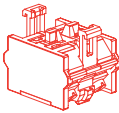


LED

page 150



Lamp block

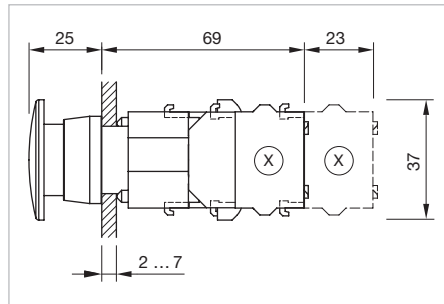


Switching element

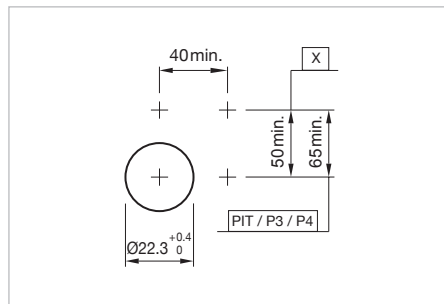
page 138

Each Part Number listed below includes all the black components shown in the 3D-drawing.

To obtain a complete unit, please select the red components from the pages shown.



Dimensions [mm]  
X = Screw terminal




Mounting cut-outs [mm]  
PIT = Push-in terminal,  
P3 = Plug-in terminal 6.3 x 0.8 mm,  
P4 = Double plug-in terminal 6.3 x 0.8 mm,  
X = Screw terminal



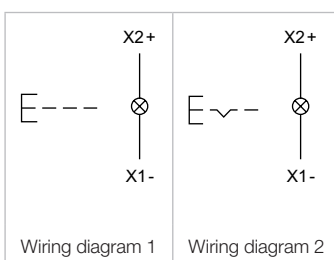
Product can differ from the current configuration.

### Additional Information

- The lamp block will be delivered with screw terminal
- Other terminal options from the part switching element see «Accessories»
- Max. 3 switching elements can be clipped on

Front ring	Lens	Switching action	Part No.	Wiring diagram	Weight
 <b>Mushroom-head pushbutton actuator illuminated, Front dimension Ø 40 mm</b>					
Plastic grey	Plastic red	B	<b>704.084.2</b>	1	0.044 kg
	Plastic yellow	B	<b>704.084.4</b>	1	0.044 kg
	Plastic green	B	<b>704.084.5</b>	1	0.044 kg
	Plastic blue	B	<b>704.084.6</b>	1	0.044 kg
	Plastic colourless	B	<b>704.084.7</b>	1	0.044 kg
	Plastic red	C	<b>704.086.2</b>	2	0.044 kg
	Plastic yellow	C	<b>704.086.4</b>	2	0.044 kg
	Plastic green	C	<b>704.086.5</b>	2	0.044 kg

Switching action : B = Momentary, C = Maintain



Wiring diagram 1

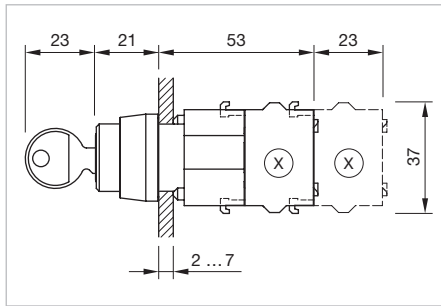
Wiring diagram 2

# 04 Raised design

## Keylock switch 2 positions, IP65



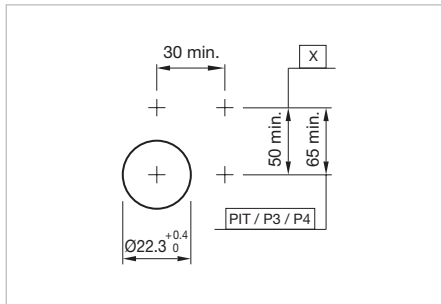
Product can differ from the current configuration.



Dimensions [mm]  
X = Screw terminal

### Additional Information

- Other terminal options from the part switching element see «Accessories»
- The standard lock Ronis 251
- Two keys are supplied with each key lock switch
- Further lock numbers see «Technical data»
- Max. 3 switching elements can be clipped on

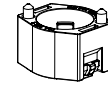


Mounting cut-outs [mm]  
PIT = Push-in terminal,  
P3 = Plug-in terminal 6.3 x 0.8 mm,  
P4 = Double plug-in terminal 6.3 x 0.8 mm,  
X = Screw terminal

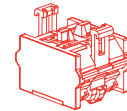
### Equipment consisting of (schematic overview)



Actuator



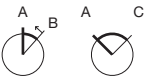
Bayonet flange



Switching element *page 138*


Each Part Number listed below includes all the black components shown in the 3D-drawing.

*To obtain a complete unit, please select the red components from the pages shown.*

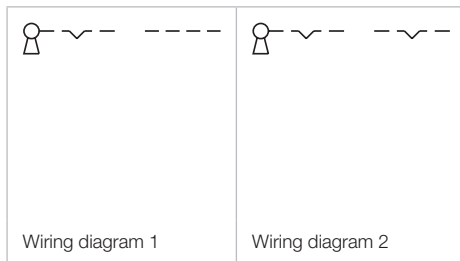


Switching positions (A = Rest, B = Momentary, C = Maintained)

Front ring	Front bezel	Switching action	Switching angle	Key remove	Part No.	Wiring diagram	Weight
	Plastic grey	A - B	B = 42°	A	<b>704.343.0</b>	1	0.070 kg
		A - C	C = 90°	C	<b>704.340.0</b>	2	0.070 kg
				A	<b>704.341.0</b>	2	0.070 kg
				A + C	<b>704.342.0</b>	2	0.070 kg
		<b>Keylock switch actuator 2 positions, Front dimension 30 x 30 mm</b>					

Front ring	Front bezel	Switching action	Switching angle	Key remove	Part No.	Wiring diagram	Weight
 <p><b>Keylock switch actuator 2 positions, Front dimension Ø 29 mm</b></p>							
Aluminium chrome		A - B	B = 42°	A	<b>704.123.0</b>	1	0.070 kg
		A - C	C = 90°	C	<b>704.120.0</b>	2	0.070 kg
				A	<b>704.121.0</b>	2	0.070 kg
				A + C	<b>704.122.0</b>	2	0.070 kg

Switching action : A = Rest, B = Momentary, C = Maintain

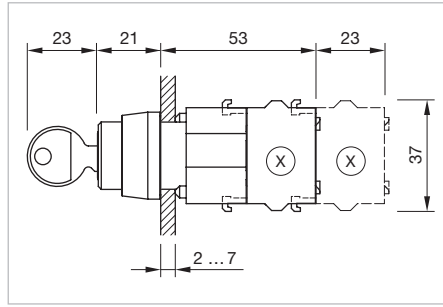


# 04 Raised design

## Keylock switch 3 positions, IP65



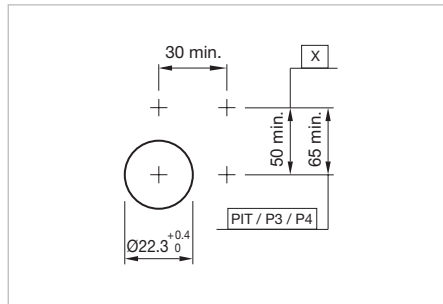
Product can differ from the current configuration.



Dimensions [mm]  
X = Screw terminal

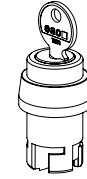
### Additional Information

- Other terminal options from the part switching element see «Accessories»
- The standard lock Ronis 251
- Two keys are supplied with each key lock switch
- Further lock numbers see «Technical data»
- Max. 3 switching elements can be clipped on

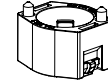


Mounting cut-outs [mm]  
PIT = Push-in terminal,  
P3 = Plug-in terminal 6.3 x 0.8 mm,  
P4 = Double plug-in terminal 6.3 x 0.8 mm,  
X = Screw terminal

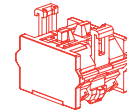
### Equipment consisting of (schematic overview)



Actuator



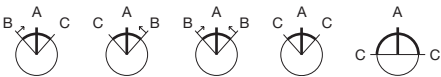
Bayonet flange



Switching element [page 138](#)


Each Part Number listed below includes all the black components shown in the 3D-drawing.

*To obtain a complete unit, please select the red components from the pages shown.*







Switching positions (A = Rest, B = Momentary, C = Maintained)

Front ring	Front bezel	Switching action	Switching angle	Key remove	Part No.	Wiring diagram	Weight
	Plastic grey	C - A - B	C = 42°, B = 42°	C	<b>704.337.0</b>	2	0.070 kg
				C + A	<b>704.344.0</b>	2	0.070 kg
		B - A - B	B = 42° / 42°	A	<b>704.335.0</b>	3	0.070 kg
		C - A - C	C = 42° / 42°	A	<b>704.334.0</b>	4	0.070 kg
			C = 90° / 90°	C + A + C	<b>704.333.0</b>	4	0.070 kg

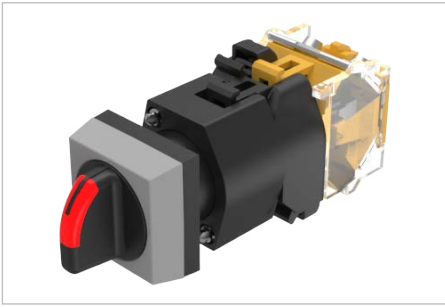
Front ring	Front bezel	Switching action	Switching angle	Key remove	Part No.	Wiring diagram	Weight
 <p><b>Keylock switch actuator 3 positions, Front dimension Ø 29 mm</b></p>							
Aluminium chrome		B - A - C	B = 42°, C = 42°	A	<b>704.118.0</b>	1	0.070 kg
		C - A - B	C = 42°, B = 42°	C	<b>704.117.0</b>	2	0.070 kg
				C + A	<b>704.124.0</b>	2	0.070 kg
		B - A - B	B = 42° / 42°	A	<b>704.115.0</b>	3	0.070 kg
		C - A - C	C = 42° / 42°	A	<b>704.114.0</b>	4	0.070 kg
				C + C	<b>704.116.0</b>	4	0.070 kg
	C = 90° / 90°	C + A + C	<b>704.113.0</b>	4	0.070 kg		

Switching action : A = Rest, B = Momentary, C = Maintain

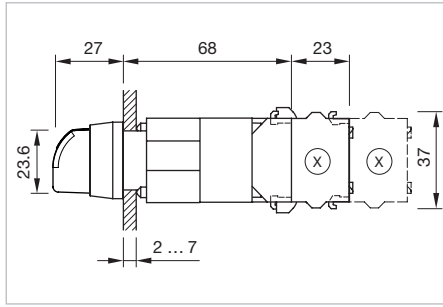
			
Wiring diagram 1	Wiring diagram 2	Wiring diagram 3	Wiring diagram 4

# 04 Raised design

## Selector switch actuator illuminated, 2 positions short lever, IP65



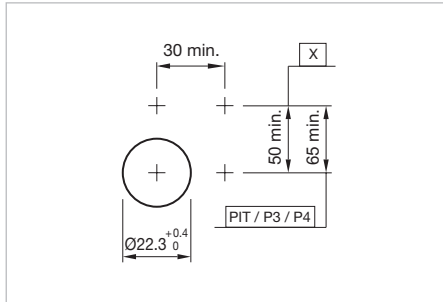
Product can differ from the current configuration.



Dimensions [mm]  
X = Screw terminal

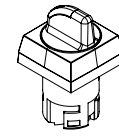
### Additional Information

- Other terminal options from the part switching element see «Accessories»
- The colour of anodized aluminium parts can vary due to technical production reasons
- Max. 3 switching elements can be clipped on

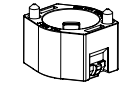


Mounting cut-outs [mm]  
PIT = Push-in terminal,  
P3 = Plug-in terminal 6.3 x 0.8 mm,  
P4 = Double plug-in terminal 6.3 x 0.8 mm,  
X = Screw terminal

### Equipment consisting of (schematic overview)



Actuator

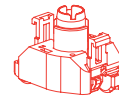


Bayonet flange



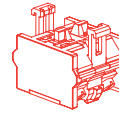
LED

page 150



Lamp block

page 135

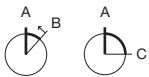


Switching element


page 138

Each Part Number listed below includes all the black components shown in the 3D-drawing.


To obtain a complete unit, please select the red components from the pages shown.




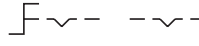
Switching positions (A = Rest, B = Momentary, C = Maintained)

Lever	Front ring	Front bezel	Switching action	Switching angle	Part No.	Wiring diagram	Weight
		Plastic grey	A - B	B = 42°	<b>704.512.01</b>	1	0.034 kg
			A - C	C = 90°	<b>704.510.01</b>	2	0.034 kg

### Selector switch actuator illuminated, 2 positions, short lever, Front dimension 30 x 30 mm

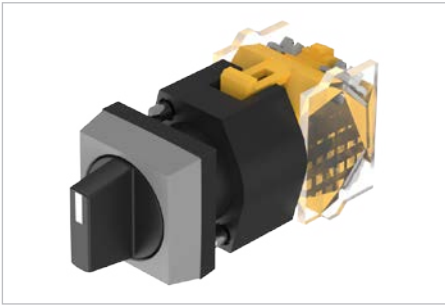
Lever	Front ring	Front bezel	Switching action	Switching angle	Part No.	Wiring diagram	Weight
 <p><b>Selector switch actuator illuminated, 2 positions, short lever, Front dimension Ø 29 mm</b></p>							
Plastic black	Plastic grey		A - C	C = 90°	<b>704.410.0I</b>	2	0.034 kg
	Aluminium natural anodized		A - C	C = 90°	<b>704.411.0I</b>	2	0.037 kg
	Plastic grey		A - B	B = 42°	<b>704.412.0I</b>	1	0.034 kg
	Aluminium natural anodized		A - B	B = 42°	<b>704.413.0I</b>	1	0.037 kg

Switching action : A = Rest, B = Momentary, C = Maintain

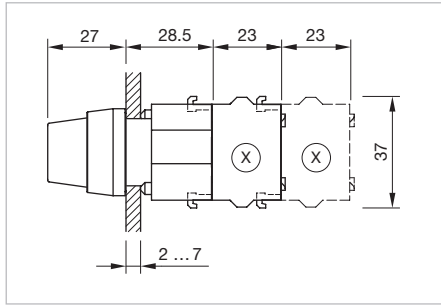
	
Wiring diagram 1	Wiring diagram 2

# 04 Raised design

## Selector switch actuator 2 positions short lever, IP65

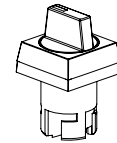


Product can differ from the current configuration.

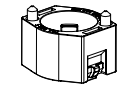


Dimensions [mm]  
X = Screw terminal

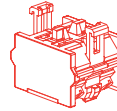
### Equipment consisting of (schematic overview)



Actuator



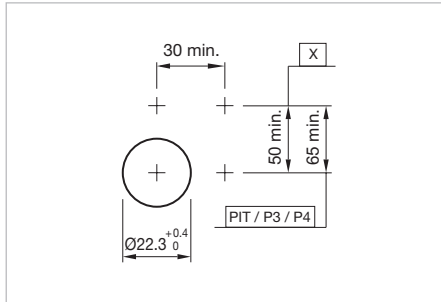
Bayonet flange



Switching element *page 138*

### Additional Information

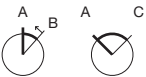
- Other terminal options from the part switching element see «Accessories»
- The colour of anodized aluminium parts can vary due to technical production reasons
- Max. 3 switching elements can be clipped on




Mounting cut-outs [mm]  
PIT = Push-in terminal,  
P3 = Plug-in terminal 6.3 x 0.8 mm,  
P4 = Double plug-in terminal 6.3 x 0.8 mm,  
X = Screw terminal

Each Part Number listed below includes all the black components shown in the 3D-drawing.


*To obtain a complete unit, please select the red components from the pages shown.*



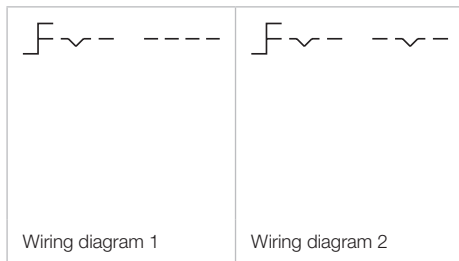
Switching positions (A = Rest, B = Momentary, C = Maintained)

Lever	Front ring	Front bezel	Switching action	Switching angle	Part No.	Wiring diagram	Weight
	<b>Selector switch actuator 2 positions, short lever, Front dimension 30 x 30 mm</b>						
	Plastic black		Plastic grey	A - B	B = 42°	<b>704.512.0</b>	1
A - C				C = 90°	<b>704.510.0</b>	2	0.034 kg



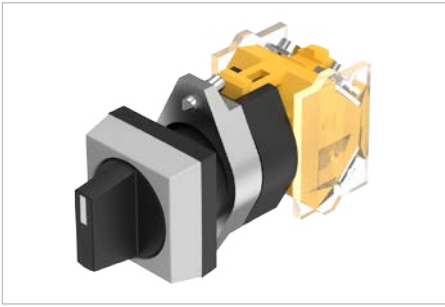
Lever	Front ring	Front bezel	Switching action	Switching angle	Part No.	Wiring diagram	Weight
 <p><b>Selector switch actuator 2 positions, short lever, Front dimension Ø 29 mm</b></p>							
Plastic black	Plastic grey		A - C	C = 90°	<b>704.410.0</b>	2	0.034 kg
	Aluminium natural anodized		A - C	C = 90°	<b>704.411.0</b>	2	0.037 kg
	Plastic grey		A - B	B = 42°	<b>704.412.0</b>	1	0.034 kg
	Aluminium natural anodized		A - B	B = 42°	<b>704.413.0</b>	1	0.037 kg

Switching action : A = Rest, B = Momentary, C = Maintain

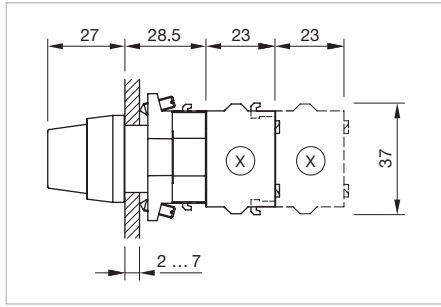


# 04 Raised design

## Selector switch 2 positions 12 o'clock short lever , IP65



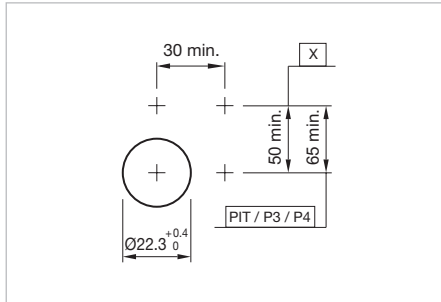
Product can differ from the current configuration.



Dimensions [mm]  
X = Screw terminal

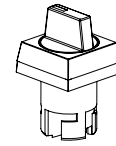
### Additional Information

- Other terminal options from the part switching element see «Accessories»
- The colour of anodized aluminium parts can vary due to technical production reasons
- Max. 3 switching elements can be clipped on

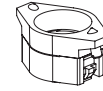


Mounting cut-outs [mm]  
PIT = Push-in terminal,  
P3 = Plug-in terminal 6.3 x 0.8 mm,  
P4 = Double plug-in terminal 6.3 x 0.8 mm,  
X = Screw terminal

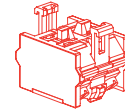
### Equipment consisting of (schematic overview)



Actuator



Bayonet flange



Switching element


page 138


Each Part Number listed below includes all the black components shown in the 3D-drawing.

*To obtain a complete unit, please select the red components from the pages shown.*

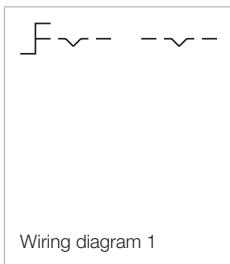


Switching positions (A = Rest, B = Momentary, C = Maintained)

Lever	Front ring	Front bezel	Switching action	Switching angle	Part No.	Wiring diagram	Weight
 <b>Selector switch actuator 2 positions 12 o'clock, short lever , Front dimension 30 x 30 mm</b>							
Plastic black		Plastic grey	A - C	C = 90°	<b>704.510.0.12</b>	1	0.034 kg

Lever	Front ring	Front bezel	Switching action	Switching angle	Part No.	Wiring diagram	Weight
 <p><b>Selector switch actuator 2 positions 12 o'clock, short lever , Front dimension Ø 29 mm</b></p>							
Plastic black	Plastic grey		A - C	C = 90°	<b>704.410.0.12</b>	1	0.034 kg
	Aluminium natural anodized		A - C	C = 90°	<b>704.411.0.12</b>	1	0.037 kg
			A - C	C = 90°	<b>704.411.0B.12</b>	1	0.037 kg

Switching action : A = Rest, C = Maintain

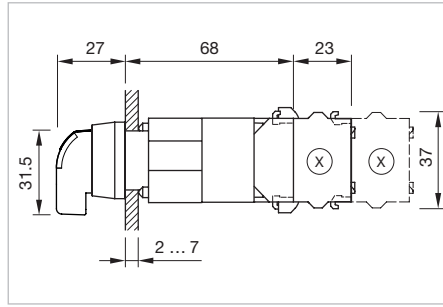


# 04 Raised design

## Selector switch illuminated, 2 positions, long lever, IP65



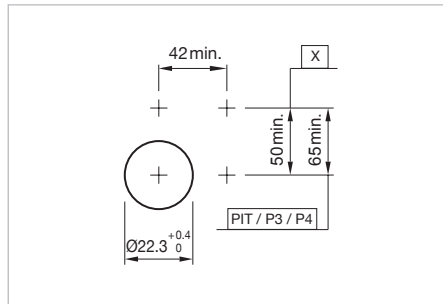
Product can differ from the current configuration.



Dimensions [mm]  
X = Screw terminal

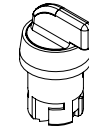
### Additional Information

- Other terminal options from the part switching element see «Accessories»
- The colour of anodized aluminium parts can vary due to technical production reasons
- Max. 3 switching elements can be clipped on

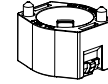


Mounting cut-outs [mm]  
PIT = Push-in terminal,  
P3 = Plug-in terminal 6.3 x 0.8 mm,  
P4 = Double plug-in terminal 6.3 x 0.8 mm,  
X = Screw terminal

### Equipment consisting of (schematic overview)



Actuator

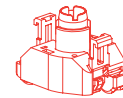


Bayonet flange



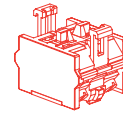
LED

page 150



Lamp block

page 135

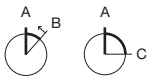


Switching element


page 138


Each Part Number listed below includes all the black components shown in the 3D-drawing.

To obtain a complete unit, please select the red components from the pages shown.





Switching positions (A = Rest, B = Momentary, C = Maintained)

Lever	Front ring	Front bezel	Switching action	Switching angle	Part No.	Wiring diagram	Weight
 <p><b>Selector switch actuator illuminated, 2 positions, long lever, Front dimension 30 x 30 mm</b></p>	Plastic black	Plastic grey	A - B	B = 42°	<b>704.302.01</b>	1	0.034 kg
			A - C	C = 90°	<b>704.300.01</b>	2	0.034 kg

Lever	Front ring	Front bezel	Switching action	Switching angle	Part No.	Wiring diagram	Weight
 <p><b>Selector switch actuator illuminated, 2 positions, long lever, Front dimension Ø 29 mm</b></p>							
Plastic black	Plastic grey		A - C	C = 90°	<b>704.100.0I</b>	2	0.034 kg
	Aluminium natural anodized		A - C	C = 90°	<b>704.101.0I</b>	2	0.037 kg
	Plastic grey		A - B	B = 42°	<b>704.102.0I</b>	1	0.034 kg
	Aluminium natural anodized		A - B	B = 42°	<b>704.103.0I</b>	1	0.037 kg

Switching action : A = Rest, B = Momentary, C = Maintain

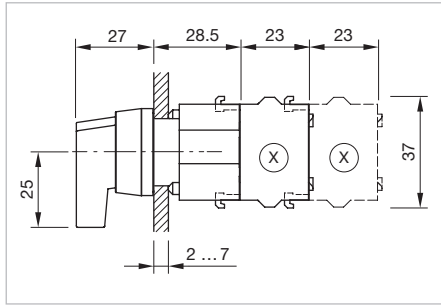
	
Wiring diagram 1	Wiring diagram 2

# 04 Raised design

## Selector switch 2 positions long lever, IP65

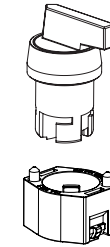


Product can differ from the current configuration.

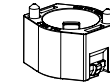


Dimensions [mm]  
X = Screw terminal

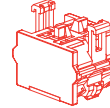
### Equipment consisting of (schematic overview)



Actuator



Bayonet flange

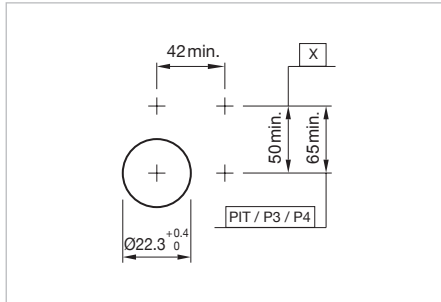


Switching element

page 138

### Additional Information

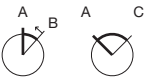
- Other terminal options from the part switching element see «Accessories»
- The colour of anodized aluminium parts can vary due to technical production reasons
- Max. 3 switching elements can be clipped on



Mounting cut-outs  
PIT = Push-in terminal,  
P3 = Plug-in terminal 6.3 x 0.8 mm,  
P4 = Double plug-in terminal 6.3 x 0.8 mm,  
X = Screw terminal


Each Part Number listed below includes all the black components shown in the 3D-drawing.

To obtain a complete unit, please select the red components from the pages shown.


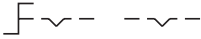


Switching positions (A = Rest, B = Momentary, C = Maintained)

Lever	Front ring	Front bezel	Switching action	Switching angle	Part No.	Wiring diagram	Weight
	<b>Selector switch actuator 2 positions, long lever, Front dimension 30 x 30 mm</b>						
	Plastic black		Plastic grey	A - B	B = 42°	<b>704.302.0</b>	1
			A - C	C = 90°	<b>704.300.0</b>	2	0.034 kg

Lever	Front ring	Front bezel	Switching action	Switching angle	Part No.	Wiring diagram	Weight
 <p><b>Selector switch actuator 2 positions, long lever, Front dimension Ø 29 mm</b></p>							
Plastic black	Plastic grey		A - C	C = 90°	<b>704.100.0</b>	2	0.034 kg
	Aluminium natural anodized		A - C	C = 90°	<b>704.101.0</b>	2	0.037 kg
	Plastic grey		A - B	B = 42°	<b>704.102.0</b>	1	0.034 kg
	Aluminium natural anodized		A - B	B = 42°	<b>704.103.0</b>	1	0.037 kg

Switching action: A = Rest, B = Momentary, C = Maintained

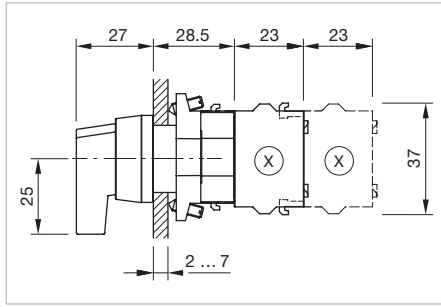
	
Wiring diagram 1	Wiring diagram 2

# 04 Raised design

## Selector switch 2 positions 12 o'clock long lever, IP65

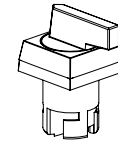


Product can differ from the current configuration.

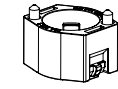


Dimensions [mm]  
X = Screw terminal

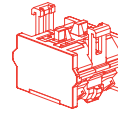
### Equipment consisting of (schematic overview)



Actuator



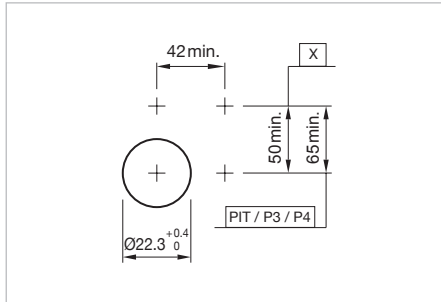
Bayonet flange



Switching element *page 138*

### Additional Information

- Other terminal options from the part switching element see «Accessories»
- The colour of anodized aluminium parts can vary due to technical production reasons
- Max. 3 switching elements can be clipped on




Mounting cut-outs [mm]  
PIT = Push-in terminal,  
P3 = Plug-in terminal 6.3 x 0.8 mm,  
P4 = Double plug-in terminal 6.3 x 0.8 mm,  
X = Screw terminal

Each Part Number listed below includes all the black components shown in the 3D-drawing.


*To obtain a complete unit, please select the red components from the pages shown.*



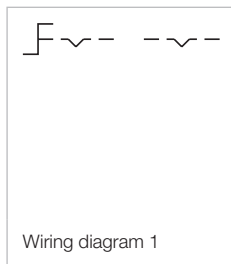
Switching positions (A = Rest, B = Momentary, C = Maintained)

Lever	Front ring	Front bezel	Switching action	Switching angle	Part No.	Wiring diagram	Weight
 <p><b>Selector switch actuator 2 positions 12 o'clock, long lever, Front dimension 30 x 30 mm</b></p>							
Plastic black		Plastic grey	A - C	C = 90°	<b>704.300.0.12</b>	1	0.034 kg



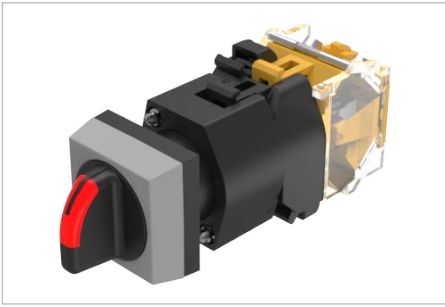
Lever	Front ring	Front bezel	Switching action	Switching angle	Part No.	Wiring diagram	Weight
 <p><b>Selector switch actuator 2 positions 12 o'clock, long lever, Front dimension Ø 29 mm</b></p>							
Plastic black	Plastic grey		A - C	C = 90°	<b>704.100.0.12</b>	1	0.034 kg
	Aluminium natural anodized		A - C	C = 90°	<b>704.101.0.12</b>	1	0.037 kg

Switching action : A = Rest, C = Maintain

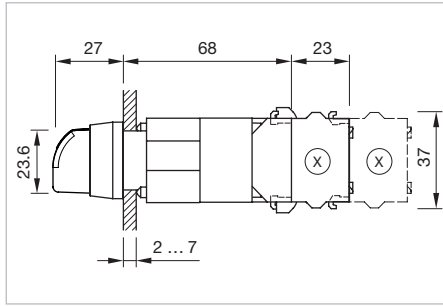


# 04 Raised design

## Selector switch illuminated, 3 positions, short lever, IP65



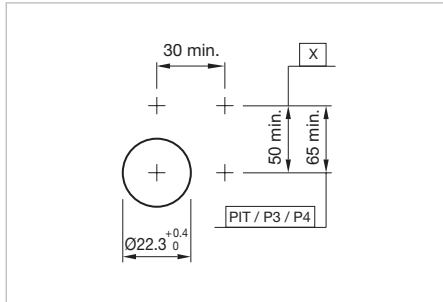
Product can differ from the current configuration.



Dimensions [mm]  
X = Screw terminal

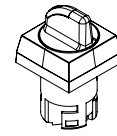
### Additional Information

- Other terminal options from the part switching element see «Accessories»
- The colour of anodized aluminium parts can vary due to technical production reasons
- Max. 3 switching elements can be clipped on

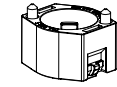


Mounting cut-outs [mm]  
PIT = Push-in terminal,  
P3 = Plug-in terminal 6.3 x 0.8 mm,  
P4 = Double plug-in terminal 6.3 x 0.8 mm,  
X = Screw terminal

### Equipment consisting of (schematic overview)



Actuator

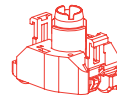


Bayonet flange



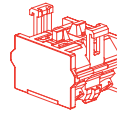
LED

page 150



Lamp block

page 135

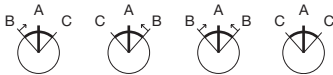


Switching element

page 138


Each Part Number listed below includes all the black components shown in the 3D-drawing.

To obtain a complete unit, please select the red components from the pages shown.

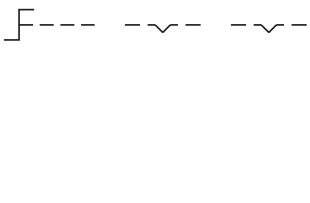
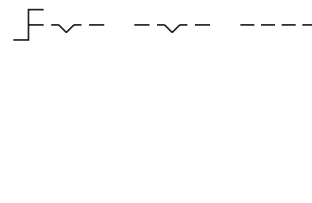
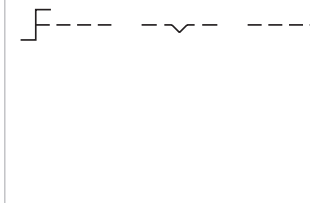
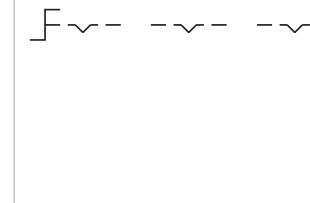


Switching positions (A = Rest, B = Momentary, C = Maintained)

Lever	Front ring	Front bezel	Switching action	Switching angle	Part No.	Wiring diagram	Weight
	<b>Selector switch actuator illuminated, 3 positions, short lever, Front dimension 30 x 30 mm</b>	Plastic grey	C - A - C	C = 42° / 42°	<b>704.502.01</b>	4	0.034 kg
			B - A - B	B = 42° / 42°	<b>704.504.01</b>	3	0.034 kg
			C - A - B	C = 42°, B = 42°	<b>704.506.01</b>	2	0.034 kg
			B - A - C	B = 42°, C = 42°	<b>704.508.01</b>	1	0.034 kg
			Plastic black				

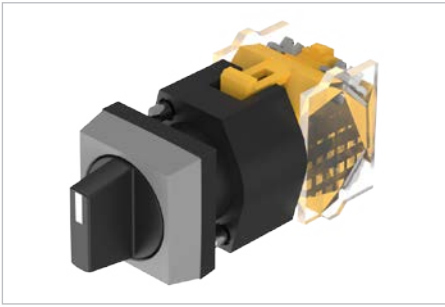
Lever	Front ring	Front bezel	Switching action	Switching angle	Part No.	Wiring diagram	Weight
 <p><b>Selector switch actuator illuminated, 3 positions, short lever, Front dimension Ø 29 mm</b></p>							
Plastic black	Plastic grey		C - A - C	C = 42° / 42°	<b>704.402.0I</b>	4	0.034 kg
	Aluminium natural anodized		C - A - C	C = 42° / 42°	<b>704.403.0I</b>	4	0.037 kg
	Plastic grey		B - A - B	B = 42° / 42°	<b>704.404.0I</b>	3	0.034 kg
	Aluminium natural anodized		B - A - B	B = 42° / 42°	<b>704.405.0I</b>	3	0.037 kg
	Plastic grey		C - A - B	C = 42°, B = 42°	<b>704.406.0I</b>	2	0.034 kg
	Aluminium natural anodized		C - A - B	C = 42°, B = 42°	<b>704.407.0I</b>	2	0.037 kg
	Plastic grey		B - A - C	B = 42°, C = 42°	<b>704.408.0I</b>	1	0.034 kg
	Aluminium natural anodized		B - A - C	B = 42°, C = 42°	<b>704.409.0I</b>	1	0.037 kg

Switching action : A = Rest, B = Momentary, C = Maintain

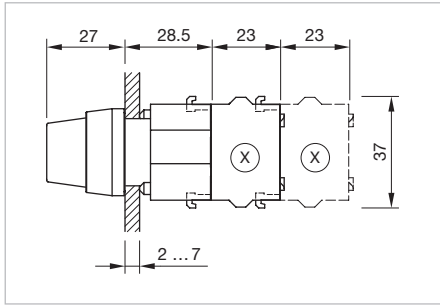
			
Wiring diagram 1	Wiring diagram 2	Wiring diagram 3	Wiring diagram 4

# 04 Raised design

## Selector switch 3 positions short lever, IP65

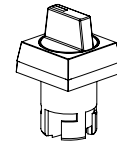


Product can differ from the current configuration.

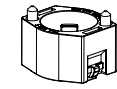


Dimensions [mm]  
X = Screw terminal

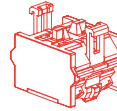
### Equipment consisting of (schematic overview)



Actuator



Bayonet flange



Switching element

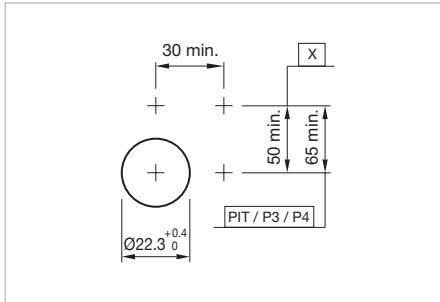
page 138

Each Part Number listed below includes all the black components shown in the 3D-drawing.

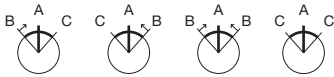
To obtain a complete unit, please select the red components from the pages shown.

### Additional Information

- Other terminal options from the part switching element see «Accessories»
- The colour of anodized aluminium parts can vary due to technical production reasons
- Max. 3 switching elements can be clipped on




Mounting cut-outs [mm]  
PIT = Push-in terminal,  
P3 = Plug-in terminal 6.3 x 0.8 mm,  
P4 = Double plug-in terminal 6.3 x 0.8 mm,  
X = Screw terminal







Switching positions (A = Rest, B = Momentary, C = Maintained)

Lever	Front ring	Front bezel	Switching action	Switching angle	Part No.	Wiring diagram	Weight	
	<b>Selector switch actuator 3 positions, short lever, Front dimension 30 x 30 mm</b>							
	Plastic black		Plastic grey	C - A - C	C = 42° / 42°	<b>704.502.0</b>	4	0.034 kg
				B - A - B	B = 42° / 42°	<b>704.504.0</b>	3	0.034 kg
				C - A - B	C = 42°, B = 42°	<b>704.506.0</b>	2	0.034 kg
				B - A - C	B = 42°, C = 42°	<b>704.508.0</b>	1	0.034 kg

Lever	Front ring	Front bezel	Switching action	Switching angle	Part No.	Wiring diagram	Weight
 <p><b>Selector switch actuator 3 positions, short lever, Front dimension Ø 29 mm</b></p>							
Plastic black	Plastic grey		C - A - C	C = 42° / 42°	<b>704.402.0</b>	4	0.034 kg
	Aluminium natural anodized		C - A - C	C = 42° / 42°	<b>704.403.0</b>	4	0.037 kg
	Plastic grey		B - A - B	B = 42° / 42°	<b>704.404.0</b>	3	0.034 kg
	Aluminium natural anodized		B - A - B	B = 42° / 42°	<b>704.405.0</b>	3	0.037 kg
	Plastic grey		C - A - B	C = 42°, B = 42°	<b>704.406.0</b>	2	0.034 kg
	Aluminium natural anodized		C - A - B	C = 42°, B = 42°	<b>704.407.0</b>	2	0.037 kg
	Plastic grey		B - A - C	B = 42°, C = 42°	<b>704.408.0</b>	1	0.034 kg
	Aluminium natural anodized		B - A - C	B = 42°, C = 42°	<b>704.409.0</b>	1	0.037 kg

Switching action : A = Rest, B = Momentary, C = Maintain

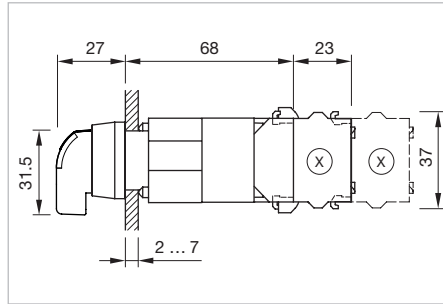
			
Wiring diagram 1	Wiring diagram 2	Wiring diagram 3	Wiring diagram 4

# 04 Raised design

## Selector switch illuminated, 3 positions, long lever, IP65



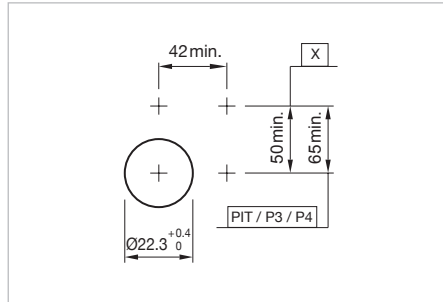
Product can differ from the current configuration.



Dimensions [mm]  
X = Screw terminal

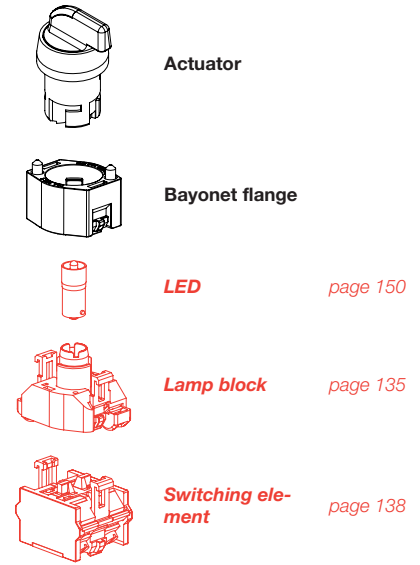
### Additional Information

- Other terminal options from the part switching element see «Accessories»
- The colour of anodized aluminium parts can vary due to technical production reasons
- Max. 3 switching elements can be clipped on



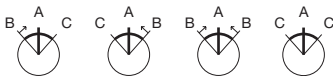
Mounting cut-outs [mm]  
PIT = Push-in terminal,  
P3 = Plug-in terminal 6.3 x 0.8 mm,  
P4 = Double plug-in terminal 6.3 x 0.8 mm,  
X = Screw terminal

### Equipment consisting of (schematic overview)





Each Part Number listed below includes all the black components shown in the 3D-drawing.

*To obtain a complete unit, please select the red components from the pages shown.*




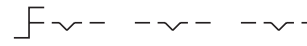


Switching positions (A = Rest, B = Momentary, C = Maintained)

Lever	Front ring	Front bezel	Switching action	Switching angle	Part No.	Wiring diagram	Weight
 <p><b>Selector switch actuator illuminated, 3 positions, long lever, Front dimension 30 x 30 mm</b></p>							
Plastic black		Plastic grey	C - A - C	C = 42° / 42°	<b>704.292.01</b>	4	0.034 kg
			B - A - B	B = 42° / 42°	<b>704.294.01</b>	3	0.034 kg
			C - A - B	C = 42°, B = 42°	<b>704.296.01</b>	2	0.034 kg
			B - A - C	B = 42°, C = 42°	<b>704.298.01</b>	1	0.034 kg

Lever	Front ring	Front bezel	Switching action	Switching angle	Part No.	Wiring diagram	Weight
 <p><b>Selector switch actuator illuminated, 3 positions, long lever, Front dimension Ø 29 mm</b></p>							
Plastic black	Plastic grey		C - A - C	C = 42° / 42°	<b>704.092.0I</b>	4	0.034 kg
	Aluminium natural anodized		C - A - C	C = 42° / 42°	<b>704.093.0I</b>	4	0.037 kg
	Plastic grey		B - A - B	B = 42° / 42°	<b>704.094.0I</b>	3	0.034 kg
	Aluminium natural anodized		B - A - B	B = 42° / 42°	<b>704.095.0I</b>	3	0.037 kg
	Plastic grey		C - A - B	C = 42°, B = 42°	<b>704.096.0I</b>	2	0.034 kg
	Aluminium natural anodized		C - A - B	C = 42°, B = 42°	<b>704.097.0I</b>	2	0.037 kg
	Plastic grey		B - A - C	B = 42°, C = 42°	<b>704.098.0I</b>	1	0.034 kg
	Aluminium natural anodized		B - A - C	B = 42°, C = 42°	<b>704.099.0I</b>	1	0.034 kg

Switching action : A = Rest, B = Momentary, C = Maintain

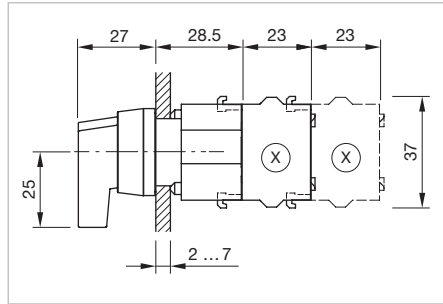
			
Wiring diagram 1	Wiring diagram 2	Wiring diagram 3	Wiring diagram 4

# 04 Raised design

## Selector switch 3 positions long lever, IP65

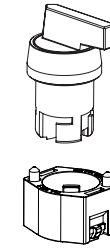


Product can differ from the current configuration.

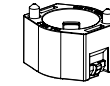


Dimensions [mm]  
X = Screw terminal

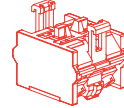
### Equipment consisting of (schematic overview)



Actuator



Bayonet flange

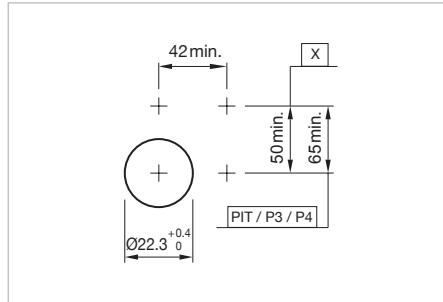


Switching element

page 138

### Additional Information

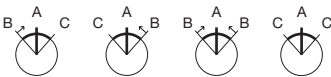
- Other terminal options from the part switching element see «Accessories»
- The colour of anodized aluminium parts can vary due to technical production reasons
- Max. 3 switching elements can be clipped on



Mounting cut-outs [mm]  
PIT = Push-in terminal,  
P3 = Plug-in terminal 6.3 x 0.8 mm,  
P4 = Double plug-in terminal 6.3 x 0.8 mm,  
X = Screw terminal

Each Part Number listed below includes all the black components shown in the 3D-drawing.


To obtain a complete unit, please select the red components from the pages shown.






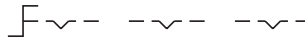
Switching positions (A = Rest, B = Momentary, C = Maintained)

Lever	Front ring	Front bezel	Switching action	Switching angle	Part No.	Wiring diagram	Weight
		Plastic grey	C - A - C	C = 42° / 42°	<b>704.292.0</b>	4	0.034 kg
			B - A - B	B = 42° / 42°	<b>704.294.0</b>	3	0.034 kg
			C - A - B	C = 42°, B = 42°	<b>704.296.0</b>	2	0.034 kg
			B - A - C	B = 42°, C = 42°	<b>704.298.0</b>	1	0.034 kg
			<b>Selector switch actuator 3 positions, long lever, Front dimension 30 x 30 mm</b>				



Lever	Front ring	Front bezel	Switching action	Switching angle	Part No.	Wiring diagram	Weight
 <p><b>Selector switch actuator 3 positions, long lever, Front dimension Ø 29 mm</b></p>							
Plastic black	Plastic grey		C - A - C	C = 42° / 42°	<b>704.092.0</b>	4	0.034 kg
	Aluminium natural anodized		C - A - C	C = 42° / 42°	<b>704.093.0</b>	4	0.037 kg
	Plastic grey		B - A - B	B = 42° / 42°	<b>704.094.0</b>	3	0.034 kg
	Aluminium natural anodized		B - A - B	B = 42° / 42°	<b>704.095.0</b>	3	0.037 kg
	Plastic grey		C - A - B	C = 42°, B = 42°	<b>704.096.0</b>	2	0.034 kg
	Aluminium natural anodized		C - A - B	C = 42°, B = 42°	<b>704.097.0</b>	2	0.037 kg
	Plastic grey		B - A - C	B = 42°, C = 42°	<b>704.098.0</b>	1	0.034 kg
	Aluminium natural anodized		B - A - C	B = 42°, C = 42°	<b>704.099.0</b>	1	0.037 kg

Switching action : A = Rest, B = Momentary, C = Maintain

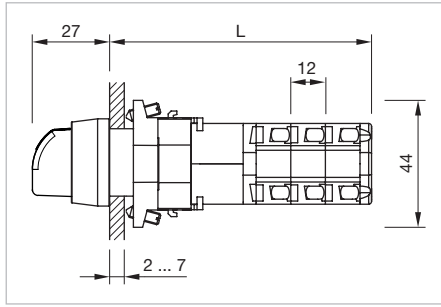
			
Wiring diagram 1	Wiring diagram 2	Wiring diagram 3	Wiring diagram 4

# 04 Raised design

## Selector rotary switch short lever rounded, IP65



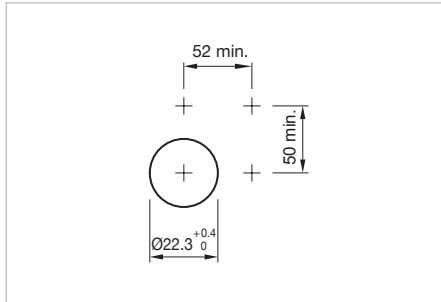
Product can differ from the current configuration.



Dimensions [mm]  
 $L = (\text{Number of stages} \times 12) + 54.5 \text{ mm}$

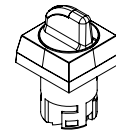
### Additional Information

- The colour of anodized aluminium parts can vary due to technical production reasons
- In combination with the switching elements K&N, the selector switch can not be illuminated

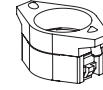


Mounting cut-outs [mm]

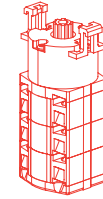
### Equipment consisting of (schematic overview)



Actuator





Bayonet flange



Switching element [page 142](#)

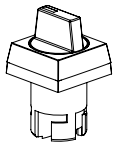
Each Part Number listed below includes all the black components shown in the 3D-drawing.

*To obtain a complete unit, please select the red components from the pages shown.*

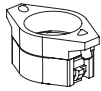
Lever	Front ring	Front bezel	Switching positions	Part No.	Weight
	<b>Selector rotary switch actuator, short lever rounded, Front dimension 30 x 30 mm</b>				
Plastic black		Plastic grey	Rest = 9 o'clock	<b>704.510.1KNI</b>	0.045 kg
	<b>Selector rotary switch actuator, short lever rounded, Front dimension Ø 29 mm</b>				
Plastic black	Aluminium natural anodized		Rest = 9 o'clock	<b>704.411.1KNI</b>	0.045 kg

## Selector rotary switch short lever, IP65

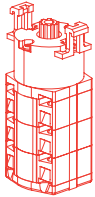
### Equipment consisting of (schematic overview)



Actuator

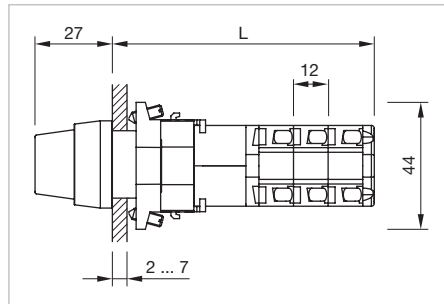


Bayonet flange

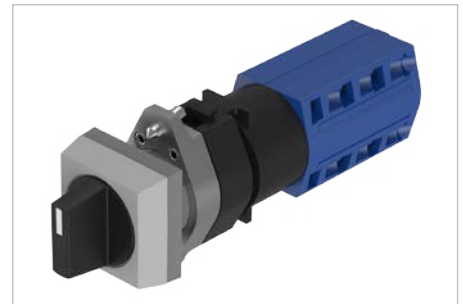


Switching element

page 142



Dimensions [mm]  
 $L = (\text{Anzahl Fluchten} \times 12) + 54.5 \text{ mm}$



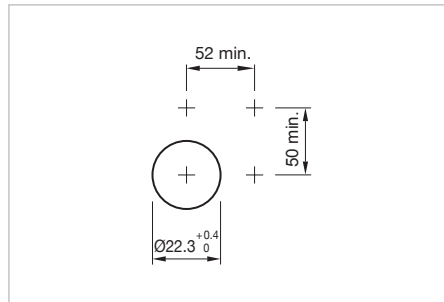
Product can differ from the current configuration.

### Additional Information

- The colour of anodized aluminium parts can vary due to technical production reasons

Each Part Number listed below includes all the black components shown in the 3D-drawing.

To obtain a complete unit, please select the red components from the pages shown.

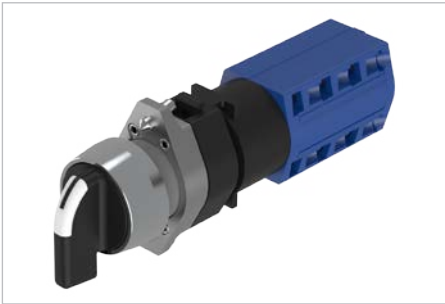


Mounting cut-outs [mm]

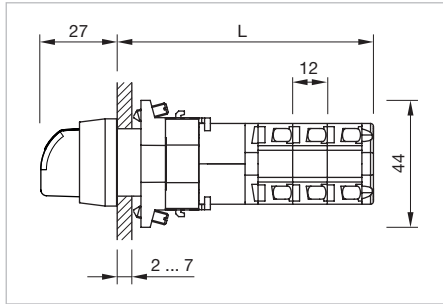
Lever	Front ring	Front bezel	Switching positions	Part No.	Weight
	<b>Selector rotary switch actuator, short lever, Front dimension 30 x 30 mm</b>				
Plastic black		Plastic grey	Rest = 9 o'clock	<b>704.510.1KN</b>	0.045 kg
	<b>Selector rotary switch actuator, short lever, Front dimension Ø 29 mm</b>				
Plastic black	Aluminium natural anodized		Rest = 9 o'clock	<b>704.411.1KN</b>	0.045 kg

# 04 Raised design

## Selector rotary switch long lever rounded, IP65



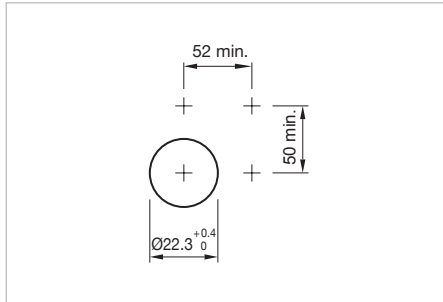
Product can differ from the current configuration.



Dimensions [mm]  
 $L = (\text{Number of stages} \times 12) + 54.5 \text{ mm}$

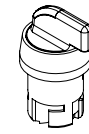
### Additional Information

- The colour of anodized aluminium parts can vary due to technical production reasons
- In combination with the switching elements K&N, the selector switch can not be illuminated

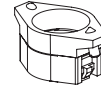


Mounting cut-outs [mm]

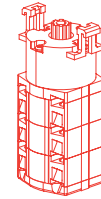
### Equipment consisting of (schematic overview)



Actuator



Bayonet flange



Switching element [page 142](#)

Each Part Number listed below includes all the black components shown in the 3D-drawing.

*To obtain a complete unit, please select the red components from the pages shown.*

Lever	Front ring	Front bezel	Switching positions	Part No.	Weight
	<b>Rotary selector switch actuator, long lever rounded, Front dimension 30 x 30 mm</b>				
Plastic black		Plastic grey	Rest = 9 o'clock	<b>704.300.1KNI</b>	0.045 kg
	<b>Rotary selector switch actuator, long lever rounded, Front dimension Ø 29 mm</b>				
Plastic black	Aluminium natural anodized		Rest = 9 o'clock	<b>704.101.1KNI</b>	0.045 kg

**Selector rotary switch long lever, IP65**

**Equipment consisting of (schematic overview)**

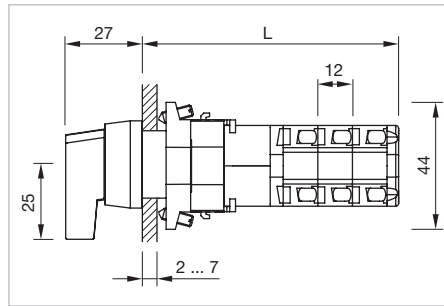
**Actuator**

**Bayonet flange**

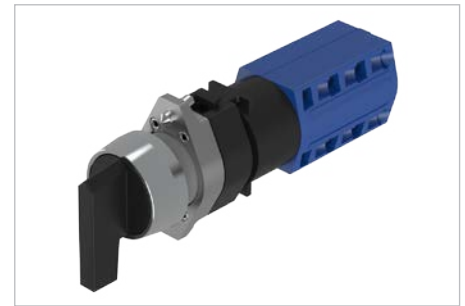
**Switching element** *page 142*

Each Part Number listed below includes all the black components shown in the 3D-drawing.

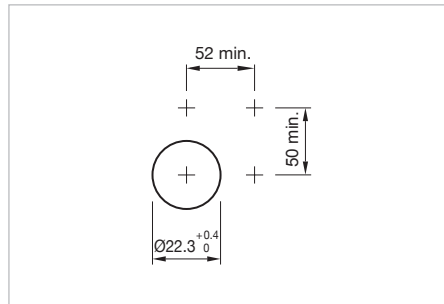
*To obtain a complete unit, please select the red components from the pages shown.*



Dimensions [mm]  
 $L = (\text{Anzahl Fluchten} \times 12) + 54.5 \text{ mm}$



Product can differ from the current configuration.



Mounting cut-outs [mm]

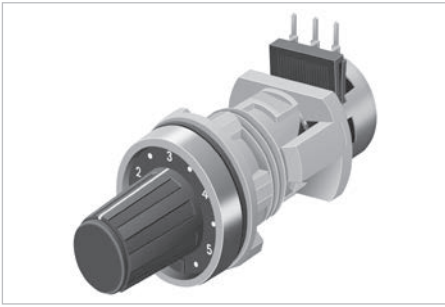
**Additional Information**

- The colour of anodized aluminium parts can vary due to technical production reasons

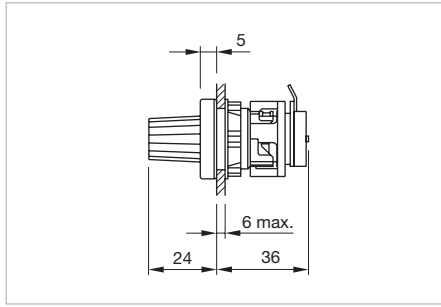
Lever	Front ring	Front bezel	Switching positions	Part No.	Weight
	<b>Rotary selector switch actuator, long lever, Front dimension 30 x 30 mm</b>				
Plastic black		Plastic grey	Rest = 9 o'clock	<b>704.300.1KN</b>	0.045 kg
	<b>Rotary selector switch actuator, long lever, Front dimension Ø 29 mm</b>				
Plastic black	Aluminium natural anodized		Rest = 9 o'clock	<b>704.101.1KN</b>	0.045 kg
			Rest = 12 o'clock	<b>704.101.0KN</b>	0.045 kg

# 04 Raised design

## Potentiometer, IP 65

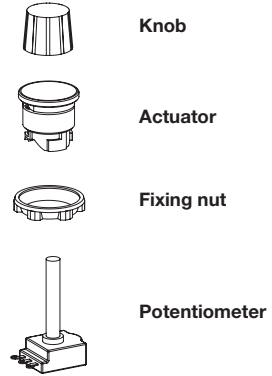


Product can differ from the current configuration.



Dimensions [mm]

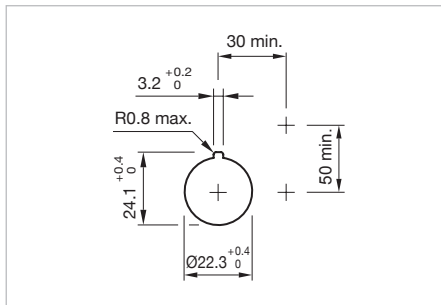
### Gerät besteht aus (schematische Übersicht)




Each Part Number listed below includes all the black components shown in the 3D-drawing.

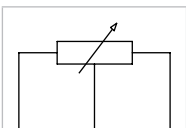
### Additional Information

- Resistor 10 kOhm / linear, series E3
- Power 0.4 W
- Slewing range 300°



Mounting cut-outs [mm]

Product attribute	Front ring	Terminal	Part No.	Wiring diagram	Weight
 <p><b>Potentiometer, Front dimension Ø 28 mm</b></p>	Plastic matt chrome	Solder	<b>44-745.20-10K1</b>	1	0.03 kg
	Plastic matt grey	Solder	<b>44-745.60-10K1</b>	1	0.03 kg
without potentiometer, specification for potentiometer: Shaft = length 32 mm, shaft end = Form A, Ø = 6 mm	Plastic matt chrome	Solder	<b>44-744.20</b>		0.016 kg
	Plastic matt grey	Solder	<b>44-744.60</b>		0.016 kg



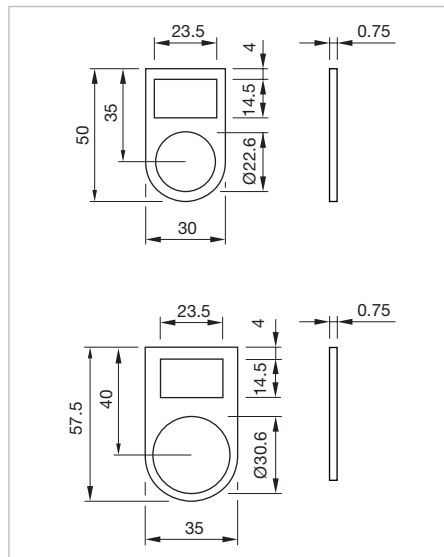
Wiring diagram 1

Front


Legend frame

Additional Information

- The colour of anodized aluminium parts can vary due to technical production reasons




Dimensions [mm]

Product attribute	Dimension	Material	Colour	Mounting type	Part No.	Weight
	<b>Legend frame</b>					
for raised design	30 x 50 x 0.75 mm	Aluminium	black anodized	adhesive	<b>704.968.2</b>	0.001 kg
for flush design	35 x 57.5 x 0.75 mm	Aluminium	black anodized	adhesive	<b>704.968.3</b>	0.001 kg

Legend plate

Additional Information

- The colour of anodized aluminium parts can vary due to technical production reasons


Dimension	Material	Colour	Mounting type	Part No.	Weight
	<b>Legend plate for legend frame</b>				
14.5 x 23.5 mm	Aluminium	natural anodized	adhesive	<b>704.968.0</b>	0.001 kg
		black anodized	adhesive	<b>704.968.1</b>	0.001 kg

# 04 Accessories

## Legend plate flush design

### Additional Information



- For devices square with flush design
- The colour of anodized aluminium parts can vary due to technical production reasons

Dimension	Material	Colour	Mounting type	Part No.	Weight
 <p><b>Legend plate for flush design</b></p>					
18 x 35 mm	Aluminium	natural anodized	adhesive	<b>704.968.4</b>	0.001 kg
		black anodized	adhesive	<b>704.968.5</b>	0.001 kg

## Legend plate rotary switch

### Additional Information


- The colour of anodized aluminium parts can vary due to technical production reasons

Product attribute	Dimension	Material	Colour	Mounting type	Part No.	Weight
 <p><b>Legend plate for rotary selector switch</b></p>						
for raised design Ø 29 mm	48 x 48 mm	Aluminium	black anodized	adhesive	<b>704.968.10</b>	0.003 kg
for flush design Ø 35 mm	48 x 48 mm	Aluminium	black anodized	adhesive	<b>704.968.11</b>	0.003 kg
 <p><b>Legend plate for rotary selector switch</b></p>						
for raised design Ø 29 mm	48 x 60 mm	Aluminium	black anodized	adhesive	<b>704.968.12</b>	0.004 kg
for flush design Ø 35 mm	48 x 60 mm	Aluminium	black anodized	adhesive	<b>704.968.13</b>	0.004 kg





**Lens plastic square**

- Druckhauben sind für quadratische Geräte in erhabener und flacher Bauform verwendbar

Product attribute	Dimension	Lens	Part No.	Weight
 <p><b>Lens plastic square</b></p>				
non-illuminative	24.4 x 24.4 mm	black opaque	<b>704.702.0</b>	0.001 kg
illuminative	24.4 x 24.4 mm	red transparent	<b>704.702.2</b>	0.001 kg
		yellow transparent	<b>704.702.4</b>	0.001 kg
		green transparent	<b>704.702.5</b>	0.001 kg
		blue transparent	<b>704.702.6</b>	0.001 kg
		colourless transparent	<b>704.702.7</b>	0.001 kg
non-illuminative	24.4 x 24.4 mm	white opaque	<b>704.702.9</b>	0.001 kg


**Lens plastic round flat**

- Lenses are usable for square devices in raised design and flush design

Product attribute	Dimension	Lens	Symbol	Part No.	Weight
 <p><b>Lens plastic round flat</b></p>					
non-illuminative	Ø 23.7 mm	black opaque		<b>704.602.0</b>	0.001 kg
illuminative	Ø 23.7 mm	red transparent		<b>704.602.2</b>	0.001 kg
		yellow transparent		<b>704.602.4</b>	0.001 kg
		green transparent		<b>704.602.5</b>	0.001 kg
		blue transparent		<b>704.602.6</b>	0.001 kg
		colourless transparent		<b>704.602.7</b>	0.001 kg
 <p><b>Lens plastic round flat</b></p>					
illuminative	Ø 23.7 mm	colourless transparent	Ring	<b>704.602.7A01</b>	0.001 kg


# 04 Accessories

## Lens plastic round increased

Product attribute	Dimension	Lens	Part No.	Weight
 <p><b>Lens plastic round increased</b></p>	Ø 23.7 mm	red transparent	<b>704.611.2</b>	0.002 kg
		yellow transparent	<b>704.611.4</b>	0.002 kg
		green transparent	<b>704.611.5</b>	0.002 kg
		colourless transparent	<b>704.611.7</b>	0.002 kg
		illuminative		


## Lens metal round

- The colour of anodized aluminium parts can vary due to technical production reasons


Product attribute	Dimension	Lens	Part No.	Weight	
 <p><b>Lens metal round</b></p>	Ø 23.7 mm	Aluminium black anodized	<b>704.601.0</b>	0.001 kg	
		Aluminium red anodized	<b>704.601.2</b>	0.001 kg	
		Aluminium gold anodized	<b>704.601.4</b>	0.001 kg	
		Aluminium olive-green anodized	<b>704.601.5</b>	0.001 kg	
		Aluminium blue anodized	<b>704.601.6</b>	0.001 kg	
		Aluminium natural anodized	<b>704.601.8</b>	0.001 kg	
		Stainless-steel natural 304	<b>704.601.9</b>	0.001 kg	
		Stainless-steel natural 316	<b>704.601.10</b>	0.001 kg	
		non-illuminative			

**Lens metal spot round**


- The colour of anodized aluminium parts can vary due to technical production reasons

Product attribute	Dimension	Lens	Part No.	Weight
 <p><b>Lens metal with spot round</b></p>				
illuminative	Ø 23.7 mm	Aluminium black anodized	<b>704.601.01</b>	0.001 kg
		Aluminium red anodized	<b>704.601.21</b>	0.001 kg
		Aluminium gold anodized	<b>704.601.41</b>	0.001 kg
		Aluminium olive-green anodized	<b>704.601.51</b>	0.001 kg
		Aluminium blue anodized	<b>704.601.61</b>	0.001 kg
		Aluminium natural anodized	<b>704.601.81</b>	0.001 kg
		Stainless-steel 304 natural	<b>704.601.91</b>	0.001 kg
		Stainless-steel 316 natural	<b>704.601.101</b>	0.001 kg

**Lens holder square**


Product attribute	Marking plate illumination	Marking plate	Part No.	Weight
 <p><b>Lens holder for lens square</b></p>				
	LED	colourless transparent	<b>704.709.7</b>	0.003 kg
can be marked	LED	white translucent	<b>704.709.9</b>	0.003 kg

**Lens cap round**



Lens cap	Part No.	Weight
 <p><b>Lens cap round round, 29 mm</b></p>		
Plastic red	<b>704.603.2</b>	0.003 kg
Plastic yellow	<b>704.603.4</b>	0.003 kg
Plastic green	<b>704.603.5</b>	0.003 kg
Plastic blue	<b>704.603.6</b>	0.003 kg
Plastic colourless	<b>704.603.7</b>	0.003 kg

# 04 Accessories





## Lens cap square

Lens cap	Part No.	Weight
 <p><b>Lens cap square square, 30 x 30 mm</b></p>		
Plastic red	<b>704.703.2</b>	0.003 kg
Plastic yellow	<b>704.703.4</b>	0.003 kg
Plastic green	<b>704.703.5</b>	0.003 kg
Plastic blue	<b>704.703.6</b>	0.003 kg
Plastic colourless	<b>704.703.7</b>	0.003 kg



## Marking foil square

Product attribute	Material	Colour	Optics	Part No.	Weight
 <p><b>Marking foil for lens cap square, front illumination</b></p>					
can be hot stamped	Plastic	colourless	transparent	<b>704.707.7</b>	0.001 kg
 <p><b>Marking foil for lens cap square, full face illumination</b></p>					
can be hot stamped	Plastic	colourless	transparent	<b>704.706.7</b>	0.001 kg

**Marking plate round flat**



Marking plate illumination	Marking plate	Part No.	Weight
	<b>Marking plate for lens round flat</b>		
non-illuminative	black opaque	<b>704.609.0</b>	0.001 kg
	<b>Marking plate for lens round flat</b>		
LED	colourless transparent ripped	<b>704.609.7</b>	0.001 kg
	<b>Marking plate for lens round flat</b>		
LED and filament lamp	white translucent	<b>704.609.9</b>	0.001 kg
	<b>Marking plate for lens round flat</b>		
Halo illumination	white translucent	<b>704.609.9A01</b>	0.001 kg

**Marking cap round encreased**


Marking cap illumination	Marking cap	Part No.	Weight
	<b>Marking cap for lens round encreased</b>		
LED	colourless transparent ripped	<b>704.610.7</b>	0.001 kg
	<b>Marking cap for lens round encreased</b>		
LED and filament lamp	white translucent	<b>704.610.9</b>	0.001 kg

# 04 Accessories

## Marking cap lens cap round


Marking cap illumination	Marking cap	Part No.	Weight
	<b>Marking cap for lens cap round</b>		
LED	colourless transparent ripped	<b>704.608.7</b>	0.002 kg
	<b>Marking cap for lens cap round</b>		
LED and filament lamp	white translucent	<b>704.608.9</b>	0.002 kg

## Diffusor cap lens cap round


Product attribute	Diffusor cap	Part No.	Weight
	<b>Diffusor cap for lens cap square</b>		
	colourless transparent	<b>704.708.7</b>	0.004 kg
can be marked	white translucent	<b>704.708.9</b>	0.004 kg

## Front bezel set flush design

- The colour of anodized aluminium parts can vary due to technical production reasons

Mounting cut-out	Front ring	Part No.	Weight
	<b>Front bezel set for indicator and pushbutton, flush design round, 35 mm</b>		
Ø 30.5 mm	Aluminium black anodized	<b>704.955.0</b>	0.015 kg
	Aluminium natural anodized	<b>704.955.1</b>	0.015 kg
	Stainless-steel 304 natural	<b>704.955.9</b>	0.033 kg
	Stainless-steel 316 natural	<b>704.955.10</b>	0.033 kg


Front bezel square

Front bezel		Part No.	Weight
	<b>Front bezel square square, 30 x 30 mm</b>		
Plastic black		<b>704.701.0</b>	0.002 kg
Plastic chrome		<b>704.701.4</b>	0.002 kg
Plastic grey		<b>704.701.6</b>	0.002 kg

Front bezel set protective mem. , IP 67

**Additional Information**


- The colour of anodized aluminium parts can vary due to technical production reasons
- For pushbutton and illuminated pushbutton for IP 67 front protection
- Front ring to be mounted with a torque of 40 Ncm onto actuator

Product attribute	Dimension	Front ring	Part No.	Weight
	<b>Front bezel set with protective membrane, flush design</b>			
with transparent silicone membrane	Ø 35 mm	Aluminium natural anodized	<b>704.955.3</b>	0.015 kg
		Aluminium black anodized	<b>704.955.4</b>	0.015 kg
with transparent silicone membrane, resistant to sea water	Ø 35 mm	Stainless-steel 316 natural	<b>704.955.9E</b>	0.033 kg

# 04 Accessories

## Front ring


- The colour of anodized aluminium parts can vary due to technical production reasons

Product attribute	Front ring	Part No.	Weight
 <p><b>Front ring round, 29 mm</b></p>	Plastic black	<b>704.600.0</b>	0.003 kg
	Plastic grey	<b>704.600.6</b>	0.003 kg
	Aluminium natural anodized	<b>704.600.1</b>	0.005 kg
	Aluminium black anodized	<b>704.600.1A</b>	0.005 kg
	Stainless-steel natural	<b>704.600.9</b>	0.006 kg
	16 mm high	Plastic grey	<b>704.600.7</b>

## Front protective cap, IP 68

### Additional Information

- For indicator, pushbutton and illuminated pushbutton for protection IP 68


Product attribute	Material	Colour	Optics	Part No.	Weight
 <p><b>Front protective cap</b></p>	Silicone	colourless	transparent	<b>704.953.0</b>	0.002 kg



**Front protective ring, IP 67**

**Additional Information**

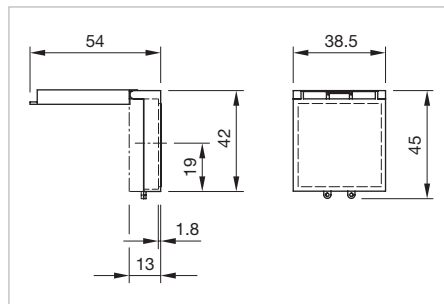
- For pushbutton and illuminated pushbutton with front illumination (IP 67)
- Front protective ring to be mounted with a torque of 40 Ncm onto actuator
- The colour of anodized aluminium parts can vary due to technical production reasons

Product attribute	Material	Colour	Part No.	Weight	
 <p><b>Front protective ring</b></p>					
	with transparent silicone membrane (extent resistant to sea water), temperature resistance -40 °C ... +85 °C	Brass	chrome	<b>704.600.2</b>	0.005 kg
		Aluminium	natural anodized	<b>704.600.3</b>	0.005 kg
with transparent Pebax membrane, temperature resistance -40 °C ... +85 °C	Aluminium	natural anodized	<b>704.600.5/A</b>	0.005 kg	



**Protective cover sq. flush des., IP 67**

**Additional Information**

- Hinged
- Front panel thickness reduces by 2 mm
- Please note that bigger minimum distances are necessary



Dimensions [mm]

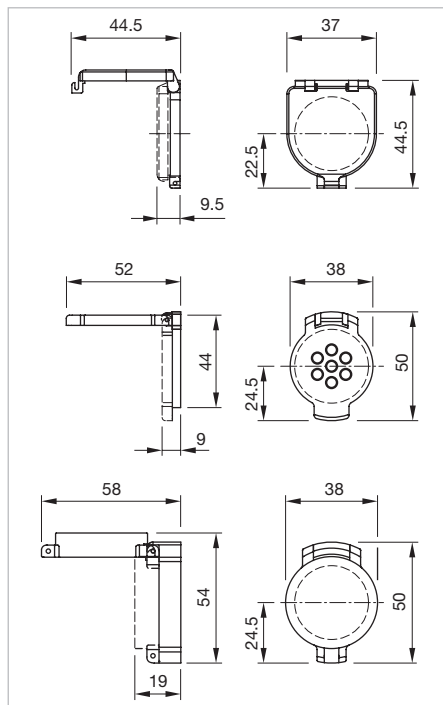
Product attribute	Dimension	Material	Optics	Part No.	Weight
 <p><b>Protective cover square, flush design</b></p>					
	with means for sealing, for pushbutton with mounting cut-out 30 x 30 mm	38.5 x 45 mm	Plastic	transparent	<b>704.925.8</b>
 <p><b>Protective cover square, flush design</b></p>					
	with means for sealing, for selector switch with mounting cut-out 30 x 30 mm	38.5 x 45 mm	Plastic	transparent	<b>704.925.9</b>

# 04 Accessories





## Protective cover rd. flush des., IP65

### Additional Information

- Hinged
- Front panel thickness reduces by 2 mm
- The dimensions of the mounting cut-outs are shown in the product details
- Please note that bigger minimum distances are necessary
- The colour of anodized aluminium parts can vary due to technical production reasons



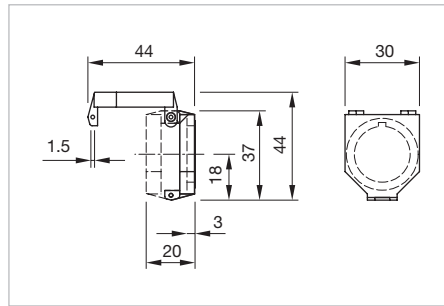
Dimensions [mm]

Product attribute	Dimension	Material	Colour	Optics	Part No.	Weight
 <p><b>Protective cover round, flush design</b></p> <p>with means for sealing, for pushbutton with mounting cut-out Ø 30.5 mm</p>	37 x 44.5 mm	Plastic	colourless	transparent	<b>704.925.7</b>	0.006 kg
 <p><b>Protective cover round, flush design</b></p> <p>not with means for sealing, with spring fitted, with window, for pushbutton with mounting cut-out Ø 30.5 mm</p>	38 x 50 mm	Aluminium	natural anodized		<b>704.928.18</b>	0.019 kg
 <p><b>Protective cover round, flush design</b></p> <p>with means for sealing, for pushbutton and selector switch with mounting cut-out Ø 30.5 mm, short lever</p>	38 x 50 mm	Aluminium	natural anodized		<b>704.928.28</b>	0.019 kg
 <p><b>Protective cover round, flush design</b></p> <p>with means for sealing, for pushbutton and selector switch with mounting cut-out Ø 30.5 mm, short lever</p>	38 x 50 mm	Aluminium	natural anodized		<b>704.928.38</b>	0.019 kg



**Protective cover raised design, IP65**

**Additional Information**

- Hinged, with means for sealing
- Protective cover Part-No. only for selector switch in basic position A applicable
- Front panel thickness reduces by 3 mm
- The dimensions of the mounting cut-outs are shown in the product details
- Please note that bigger minimum distances are necessary




Dimensions [mm]

Product attribute	Dimension	Material	Optics	Part No.	Weight
 <p><b>Protection cover round, raised design</b></p>					
for pushbutton with mounting cut-out Ø 22.5 mm	30 x 37 mm	Plastic	transparent	<b>704.925.0</b>	0.007 kg
with spring fitted, for pushbutton with mounting cut-out Ø 22.5 mm	30 x 37 mm	Plastic	transparent	<b>704.925.3</b>	0.007 kg
 <p><b>Protection cover round, raised design</b></p>					
for selector switch	Ø 22.5 mm	Plastic	transparent	<b>704.925.2</b>	0.007 kg

**Spare key**

**Additional Information**

- The standard lock Ronis 251
- Optional lock numbers on request

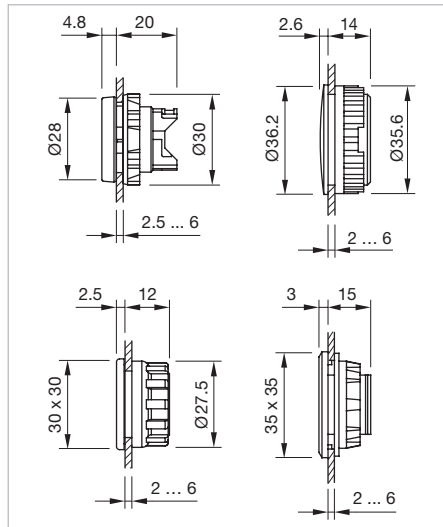
Product attribute	Part No.	Weight
 <p><b>Spare key</b></p>		
for keylock number 251, keylock type Ronis	<b>704.989.251</b>	0.006 kg

# 04 Accessories





## Blind plug, IP65

### Additional Information

- The dimensions of the mounting cut-outs are shown in the product details
- Please note that bigger minimum distances are necessary



Dimensions [mm]

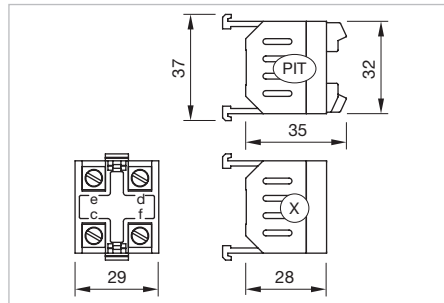
Dimension	Mounting cut-out	Material	Colour	Part No.	Weight
 <b>Blind plug</b>					
Ø 28 mm	Ø 22.5 mm	Plastic	black	<b>704.960.4</b>	0.004 kg
 <b>Blind plug</b>					
30 x 30 mm	Ø 22.5 mm	Plastic	black	<b>704.964.7</b>	0.009 kg
 <b>Blind plug</b>					
Ø 36 mm	Ø 30.5 mm	Plastic	black	<b>704.964.8</b>	0.007 kg
 <b>Blind plug</b>					
35 x 35 mm	30 x 30 mm	Plastic	black	<b>704.964.9</b>	0.009 kg

Rear side


Flasher element

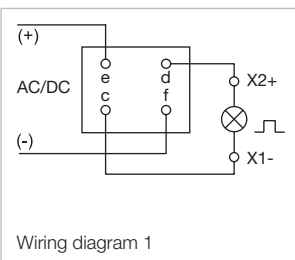
Additional Information

- Further information see «Technical data»



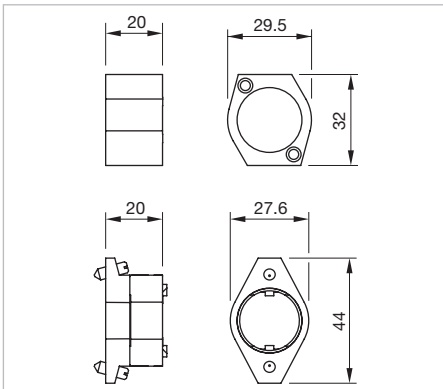
Dimensions [mm]  
 PIT = Push-in terminal,  
 X = Screw terminal

Product attribute	Operating voltage	Terminal	Part No.	Wiring diagram	Weight
					
Lamp voltage/-current 130 V, 20 mA	230 VAC ±6 %	Screw	<b>704.943.0</b>	1	0.024 kg
		Screw	<b>704.943.1</b>	1	0.024 kg
Lamp voltage/-current 130 V, 3 mA	130 VDC ±10 %	Push-in Terminal	<b>704.943.2P</b>	1	0.021 kg
		Screw	<b>704.943.2</b>	1	0.024 kg
Lamp voltage/-current 24 V, 10 ... 85 mA	24 VDC ±15 %	Screw	<b>704.943.5</b>	1	0.024 kg





# 04 Accessories

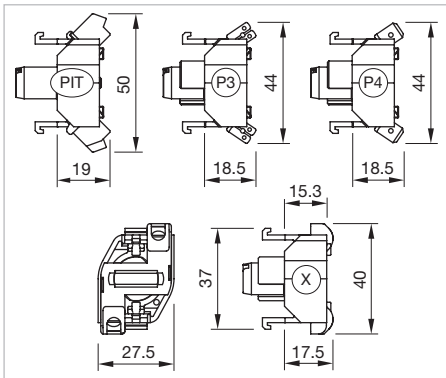
## Bayonet flange



Dimensions [mm]

Material	Part No.	Weight
 <p><b>Bayonet flange (standard)</b></p>		
Plastic	<b>704.950.5</b>	0.015 kg
 <p><b>Bayonet flange</b></p>		
Metal	<b>704.960.5</b>	0.025 kg

Lamp block for selector switch 2 positions




Dimensions [mm]

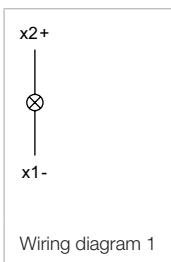
PIT = Push-in terminal,

P3 = Plug-in terminal 6.3 x 0.8 mm,

P4 = Double plug-in terminal 6.3 x 0.8 mm,

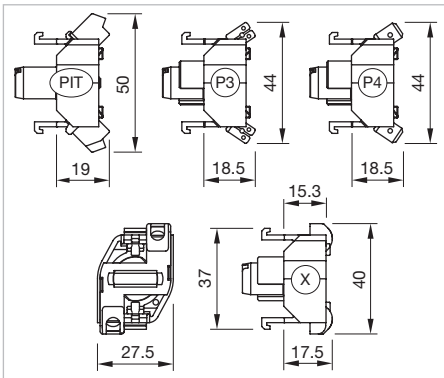
X = Screw terminal

Product attribute	Terminal	Part No.	Wiring diagram	Weight
	Screw	<b>704.950.0</b>	1	0.012 kg
	Plug 6.3 x 0.8 mm	<b>704.950.1</b>	1	0.012 kg
Terminals nickel plated and blank Cu/Sn	Double plug 6.3 x 0.8 mm	<b>704.950.1/D</b>	1	0.013 kg
	Push-in Terminal	<b>704.950.3</b>	1	0.014 kg
Terminals nickel plated Cu/Sn	Double plug 6.3 x 0.8 mm	<b>704.950.2/D</b>	1	0.013 kg
for ring cable shoe	Screw	<b>704.950.0B</b>	1	0.013 kg



# 04 Accessories

## Lamp block for selector switch 3 positions




Dimensions [mm]

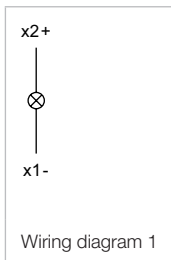
PIT = Push-in terminal,

P3 = Plug-in terminal 6.3 x 0.8 mm,

P4 = Double plug-in terminal 6.3 x 0.8 mm,

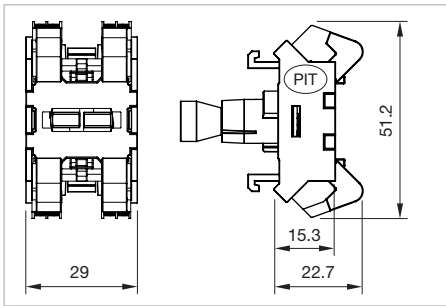
X = Screw terminal

Product attribute	Terminal	Part No.	Wiring diagram	Weight
	Screw	<b>704.951.0</b>	1	0.012 kg
	Plug 6.3 x 0.8 mm	<b>704.951.1</b>	1	0.012 kg
Terminals nickel plated and blank Cu/Sn	Double plug 6.3 x 0.8 mm	<b>704.951.1/D</b>	1	0.013 kg
	Push-in Terminal	<b>704.951.3</b>	1	0.014 kg






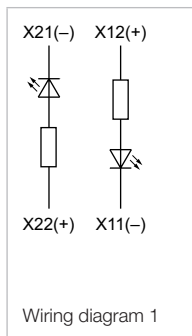
Dual lamp block



Dimensions [mm]  
PIT = Push-in terminal

LED colour	Operating voltage	Operation current	Terminal	Part No.	Component layout	Wiring diagram	Weight
 <b>Lamp block</b>							
white/white	24 VDC -30%/+25%	8 mA	Push-in terminal	<b>704.952.129.3</b>	1	1	0.019 kg
	110 VDC -30%/+25%	8 mA	Push-in terminal	<b>704.952.159.3</b>	1	1	0.019 kg

The component layouts you will find from page 168

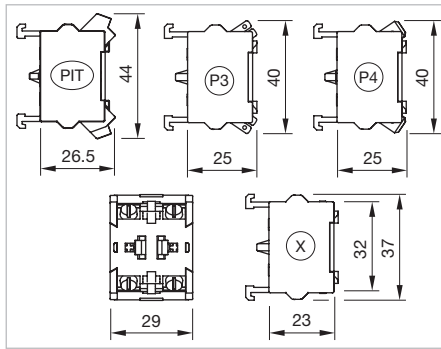


# 04 Accessories



## Switching element





### Additional Information

- For the third switching element the terminal marking insert is to be ordered separately





Dimensions [mm]  
 PIT = Push-in terminal,  
 P3 = Plug-in terminal 6.3 x 0.8 mm,  
 P4 = Double plug-in terminal 6.3 x 0.8 mm,  
 X = Screw terminal

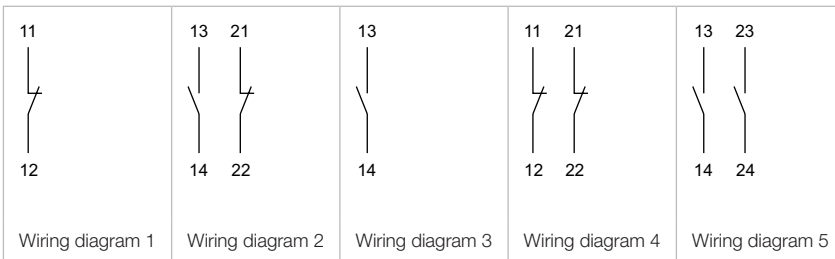
Switching voltage	Switching current	Switching system	Contacts	Contact material	Terminal	Part No.	Wiring diagram	Weight
 <p><b>Switching element</b></p>								
500 VAC	6 A	Snap-action switching element	1 NO	Gold	Push-in Terminal	<b>704.907.1</b>	3	0.020 kg
			1 NC	Gold	Push-in Terminal	<b>704.907.2</b>	1	0.020 kg
			2 NO	Gold	Push-in Terminal	<b>704.907.3</b>	5	0.027 kg
			2 NC	Gold	Push-in Terminal	<b>704.907.4</b>	4	0.027 kg
			1 NC + 1 NO	Gold	Push-in Terminal	<b>704.907.5</b>	2	0.027 kg
			1 NO	Silver	Push-in Terminal	<b>704.908.1</b>	3	0.020 kg
			1 NC	Silver	Push-in Terminal	<b>704.908.2</b>	1	0.020 kg
			2 NO	Silver	Push-in Terminal	<b>704.908.3</b>	5	0.027 kg
			2 NC	Silver	Push-in Terminal	<b>704.908.4</b>	4	0.027 kg
			1 NC + 1 NO	Silver	Push-in Terminal	<b>704.908.5</b>	2	0.027 kg
 <p><b>Switching element</b></p>								
500 VAC	6 A	Slow-make switching element	1 NO	Gold	Push-in Terminal	<b>704.917.1</b>	3	0.019 kg
			1 NC	Gold	Push-in Terminal	<b>704.917.2</b>	1	0.019 kg
			2 NO	Gold	Push-in Terminal	<b>704.917.3</b>	5	0.026 kg
			2 NC	Gold	Push-in Terminal	<b>704.917.4</b>	4	0.019 kg
			1 NC + 1 NO	Gold	Push-in Terminal	<b>704.917.5</b>	2	0.026 kg
			1 NO	Silver	Push-in Terminal	<b>704.918.1</b>	3	0.019 kg
			1 NC	Silver	Push-in Terminal	<b>704.918.2</b>	1	0.019 kg
			2 NO	Silver	Push-in Terminal	<b>704.918.3</b>	5	0.026 kg
			2 NC	Silver	Push-in Terminal	<b>704.918.4</b>	4	0.019 kg
			1 NC + 1 NO	Silver	Push-in Terminal	<b>704.918.5</b>	2	0.026 kg

Switching voltage	Switching current	Switching system	Contacts	Contact material	Terminal	Part No.	Wiring diagram	Weight
 <p><b>Switching element</b></p>								
500 VAC	6 A	Snap-action switching element	1 NO	Silver	Plug 6.3 x 0.8 mm	<b>704.905.1</b>	3	0.021 kg
			1 NC	Silver	Plug 6.3 x 0.8 mm	<b>704.905.2</b>	1	0.021 kg
			2 NO	Silver	Plug 6.3 x 0.8 mm	<b>704.905.3</b>	5	0.028 kg
			2 NC	Silver	Plug 6.3 x 0.8 mm	<b>704.905.4</b>	4	0.028 kg
			1 NC + 1 NO	Silver	Plug 6.3 x 0.8 mm	<b>704.905.5</b>	2	0.028 kg
 <p><b>Switching element</b></p>								
500 VAC	6 A	Slow-make switching element	1 NO	Silver	Plug 6.3 x 0.8 mm	<b>704.915.1</b>	3	0.021 kg
			1 NC	Silver	Plug 6.3 x 0.8 mm	<b>704.915.2</b>	1	0.021 kg
			2 NO	Silver	Plug 6.3 x 0.8 mm	<b>704.915.3</b>	5	0.028 kg
			2 NC	Silver	Plug 6.3 x 0.8 mm	<b>704.915.4</b>	4	0.028 kg
			1 NC + 1 NO	Silver	Plug 6.3 x 0.8 mm	<b>704.915.5</b>	2	0.028 kg
 <p><b>Switching element</b></p>								
500 VAC	6 A	Snap-action switching element	1 NO	Gold	Double plug 6.3 x 0.8 mm	<b>704.901.1/D</b>	3	0.026 kg
			1 NC	Gold	Double plug 6.3 x 0.8 mm	<b>704.901.2/D</b>	1	0.026 kg
			2 NO	Gold	Double plug 6.3 x 0.8 mm	<b>704.901.3/D</b>	5	0.033 kg
			2 NC	Gold	Double plug 6.3 x 0.8 mm	<b>704.901.4/D</b>	4	0.033 kg
			1 NC + 1 NO	Gold	Double plug 6.3 x 0.8 mm	<b>704.901.5/D</b>	2	0.033 kg
			1 NO	Silver	Double plug 6.3 x 0.8 mm	<b>704.905.1/D</b>	3	0.026 kg
			1 NC	Silver	Double plug 6.3 x 0.8 mm	<b>704.905.2/D</b>	1	0.026 kg
			2 NO	Silver	Double plug 6.3 x 0.8 mm	<b>704.905.3/D</b>	5	0.033 kg
			2 NC	Silver	Double plug 6.3 x 0.8 mm	<b>704.905.4/D</b>	4	0.033 kg
			1 NC + 1 NO	Silver	Double plug 6.3 x 0.8 mm	<b>704.905.5/D</b>	2	0.033 kg
 <p><b>Switching element</b></p>								
500 VAC	6 A	Slow-make switching element	1 NO	Silver	Double plug 6.3 x 0.8 mm	<b>704.915.1/D</b>	3	0.025 kg
			1 NC	Silver	Double plug 6.3 x 0.8 mm	<b>704.915.2/D</b>	1	0.025 kg
			2 NO	Silver	Double plug 6.3 x 0.8 mm	<b>704.915.3/D</b>	5	0.032 kg
			2 NC	Silver	Double plug 6.3 x 0.8 mm	<b>704.915.4/D</b>	4	0.032 kg
			1 NC + 1 NO	Silver	Double plug 6.3 x 0.8 mm	<b>704.915.5/D</b>	2	0.032 kg

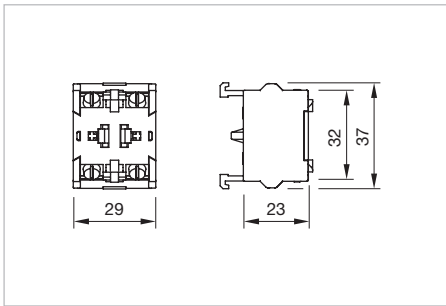
# 04 Accessories

Switching voltage	Switching current	Switching system	Contacts	Contact material	Terminal	Part No.	Wiring diagram	Weight
 <p><b>Switching element</b></p>								
500 VAC	10 A	Snap-action switching element	1 NO	Gold	Screw	<b>704.901.1</b>	3	0.021 kg
			1 NC	Gold	Screw	<b>704.901.2</b>	1	0.021 kg
			2 NO	Gold	Screw	<b>704.901.3</b>	5	0.028 kg
			2 NC	Gold	Screw	<b>704.901.4</b>	4	0.028 kg
			1 NC + 1 NO	Gold	Screw	<b>704.901.5</b>	2	0.028 kg
			1 NO	Silver	Screw	<b>704.900.1</b>	3	0.021 kg
			1 NC	Silver	Screw	<b>704.900.2</b>	1	0.021 kg
			2 NO	Silver	Screw	<b>704.900.3</b>	5	0.028 kg
			2 NC	Silver	Screw	<b>704.900.4</b>	4	0.028 kg
			1 NC + 1 NO	Silver	Screw	<b>704.900.5</b>	2	0.028 kg
			1 NO	Palladium	Screw	<b>704.902.1</b>	3	0.021 kg
			1 NC	Palladium	Screw	<b>704.902.2</b>	1	0.021 kg
			2 NO	Palladium	Screw	<b>704.902.3</b>	5	0.028 kg
			2 NC	Palladium	Screw	<b>704.902.4</b>	4	0.028 kg
1 NC + 1 NO	Palladium	Screw	<b>704.902.5</b>	2	0.028 kg			
 <p><b>Switching element</b></p>								
500 VAC	10 A	Slow-make switching element	1 NO	Gold	Screw	<b>704.911.1</b>	3	0.021 kg
			1 NC	Gold	Screw	<b>704.911.2</b>	1	0.021 kg
			2 NO	Gold	Screw	<b>704.911.3</b>	5	0.028 kg
			2 NC	Gold	Screw	<b>704.911.4</b>	4	0.028 kg
			1 NC + 1 NO	Gold	Screw	<b>704.911.5</b>	2	0.028 kg
			1 NO	Silver	Screw	<b>704.910.1</b>	3	0.021 kg
			1 NC	Silver	Screw	<b>704.910.2</b>	1	0.021 kg
			2 NO	Silver	Screw	<b>704.910.3</b>	5	0.028 kg
			2 NC	Silver	Screw	<b>704.910.4</b>	4	0.028 kg
			1 NC + 1 NO	Silver	Screw	<b>704.910.5</b>	2	0.028 kg
			1 NO	Palladium	Screw	<b>704.912.1</b>	3	0.021 kg
			2 NO	Palladium	Screw	<b>704.912.3</b>	5	0.028 kg
			2 NC	Palladium	Screw	<b>704.912.4</b>	4	0.028 kg
			1 NC + 1 NO	Palladium	Screw	<b>704.912.5</b>	2	0.028 kg



Contacts: NC = Normally closed, NO = Normally open



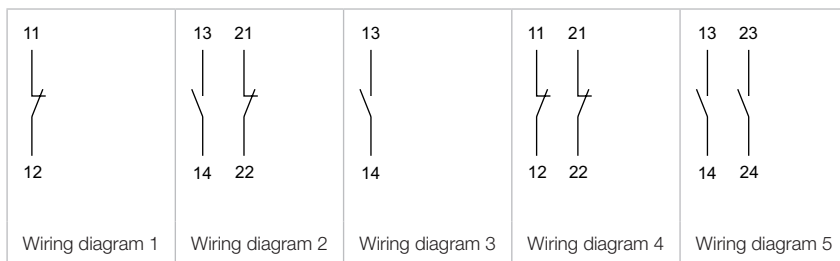
Switching element ring cable shoe



Dimensions [mm]

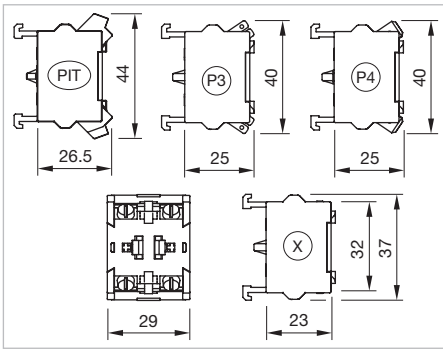
Switching voltage	Switching current	Switching system	Contacts	Contact material	Terminal	Part No.	Wiring diagram	Weight
 <p><b>Switching element for ring cable shoe</b></p>								
500 VAC	10 A	Snap-action switching element	1 NO	Silver	Screw	<b>704.900.1B</b>	3	0.021 kg
			1 NC	Silver	Screw	<b>704.900.2B</b>	1	0.021 kg
			2 NO	Silver	Screw	<b>704.900.3B</b>	5	0.028 kg
			2 NC	Silver	Screw	<b>704.900.4B</b>	4	0.028 kg
			1 NC + 1 NO	Silver	Screw	<b>704.900.5B</b>	2	0.028 kg
 <p><b>Switching element for ring cable shoe</b></p>								
500 VAC	10 A	Slow-make switching element	2 NO	Gold	Screw	<b>704.911.3B</b>	5	0.028 kg
			2 NC	Gold	Screw	<b>704.911.4B</b>	4	0.028 kg
			1 NC + 1 NO	Gold	Screw	<b>704.911.5B</b>	2	0.028 kg
			1 NO	Silver	Screw	<b>704.910.1B</b>	3	0.021 kg
			1 NC	Silver	Screw	<b>704.910.2B</b>	1	0.021 kg
			2 NO	Silver	Screw	<b>704.910.3B</b>	5	0.028 kg
			2 NC	Silver	Screw	<b>704.910.4B</b>	4	0.028 kg
			1 NC + 1 NO	Silver	Screw	<b>704.910.5B</b>	2	0.028 kg

Contacts: NC = Normally closed, NO = Normally open



# 04 Accessories

## Switching element E-stop





Dimensions [mm]



PIT = Push-in terminal,

P3 = Plug-in terminal 6.3 x 0.8 mm,

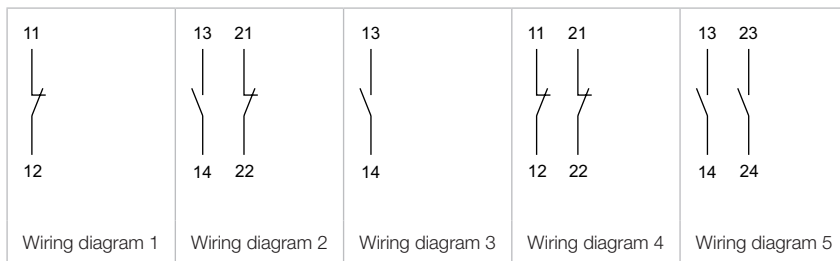
P4 = Double plug-in terminal 6.3 x 0.8 mm,

X = Screw terminal

Switching voltage	Switching current	Switching system	Contacts	Contact material	Terminal	Part No.	Wiring diagram	Weight
 <p><b>Switching element for emergency-stop switch</b></p>								
250 VAC	6 A	Slow-make switching element	1 NO	Gold	Push-in Terminal	<b>704.917.1</b>	3	0.019 kg
			1 NC	Gold	Push-in Terminal	<b>704.917.2</b>	1	0.019 kg
			2 NO	Gold	Push-in Terminal	<b>704.917.3</b>	5	0.026 kg
			2 NC	Gold	Push-in Terminal	<b>704.917.4</b>	4	0.019 kg
			1 NC + 1 NO	Gold	Push-in Terminal	<b>704.917.5</b>	2	0.026 kg
			1 NO	Silver	Push-in Terminal	<b>704.918.1</b>	3	0.019 kg
			1 NC	Silver	Push-in Terminal	<b>704.918.2</b>	1	0.019 kg
			2 NO	Silver	Push-in Terminal	<b>704.918.3</b>	5	0.026 kg
			2 NC	Silver	Push-in Terminal	<b>704.918.4</b>	4	0.019 kg
			1 NC + 1 NO	Silver	Push-in Terminal	<b>704.918.5</b>	2	0.026 kg
 <p><b>Switching element for emergency-stop switch</b></p>								
500 VAC	6 A	Slow-make switching element	1 NO	Silver	Plug 6.3 x 0.8 mm	<b>704.915.1</b>	3	0.021 kg
			1 NC	Silver	Plug 6.3 x 0.8 mm	<b>704.915.2</b>	1	0.021 kg
			2 NO	Silver	Plug 6.3 x 0.8 mm	<b>704.915.3</b>	5	0.028 kg
			2 NC	Silver	Plug 6.3 x 0.8 mm	<b>704.915.4</b>	4	0.028 kg
			1 NC + 1 NO	Silver	Plug 6.3 x 0.8 mm	<b>704.915.5</b>	2	0.028 kg

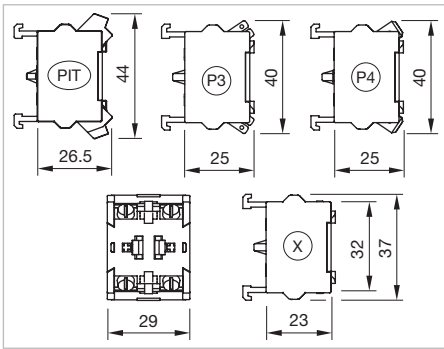
Switching voltage	Switching current	Switching system	Contacts	Contact material	Terminal	Part No.	Wiring diagram	Weight
 <p style="text-align: center;"><b>Switching element for emergency-stop switch</b></p>								
500 VAC	6 A	Slow-make switching element	1 NO	Silver	Double plug 6.3 x 0.8 mm	<b>704.915.1/D</b>	3	0.025 kg
			1 NC	Silver	Double plug 6.3 x 0.8 mm	<b>704.915.2/D</b>	1	0.025 kg
			2 NO	Silver	Double plug 6.3 x 0.8 mm	<b>704.915.3/D</b>	5	0.032 kg
			2 NC	Silver	Double plug 6.3 x 0.8 mm	<b>704.915.4/D</b>	4	0.032 kg
			1 NC + 1 NO	Silver	Double plug 6.3 x 0.8 mm	<b>704.915.5/D</b>	2	0.032 kg
 <p style="text-align: center;"><b>Switching element for emergency-stop switch</b></p>								
500 VAC	10 A	Slow-make switching element	1 NO	Gold	Screw	<b>704.911.1</b>	3	0.021 kg
			1 NC	Gold	Screw	<b>704.911.2</b>	1	0.021 kg
			2 NO	Gold	Screw	<b>704.911.3</b>	5	0.028 kg
			2 NC	Gold	Screw	<b>704.911.4</b>	4	0.028 kg
			1 NC + 1 NO	Gold	Screw	<b>704.911.5</b>	2	0.028 kg
			1 NO	Silver	Screw	<b>704.910.1</b>	3	0.021 kg
			1 NC	Silver	Screw	<b>704.910.2</b>	1	0.021 kg
			2 NO	Silver	Screw	<b>704.910.3</b>	5	0.028 kg
			2 NC	Silver	Screw	<b>704.910.4</b>	4	0.028 kg
			1 NC + 1 NO	Silver	Screw	<b>704.910.5</b>	2	0.028 kg
			1 NO	Palladium	Screw	<b>704.912.1</b>	3	0.021 kg
			2 NO	Palladium	Screw	<b>704.912.3</b>	5	0.028 kg
			2 NC	Palladium	Screw	<b>704.912.4</b>	4	0.028 kg
			1 NC + 1 NO	Palladium	Screw	<b>704.912.5</b>	2	0.028 kg

Contacts: NC = Normally closed, NO = Normally open



# 04 Accessories

## Switching element failsafe







Dimensions [mm]

PIT = Push-in terminal,


P3 = Plug-in terminal 6.3 x 0.8 mm,

P4 = Double plug-in terminal 6.3 x 0.8 mm,

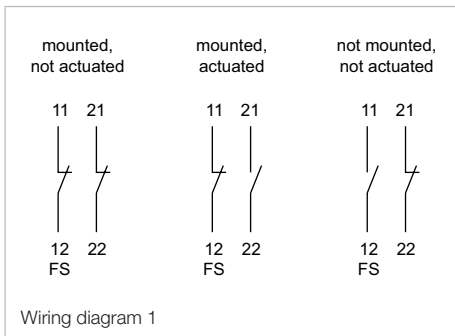
X = Screw terminal

Product attribute	Switching voltage	Switching current	Switching system	Contacts	Contact material	Terminal	Part No.	Wiring diagram	Weight
 <p><b>Switching element failsafe</b></p>	500 VAC	10 A	Slow-make switching element	1 NC + 1 FS	Silver	Screw	<b>704.910.4FS</b>	1	0.027 kg
					Gold	Screw	<b>704.911.4FS</b>	1	0.027 kg
 <p><b>Switching element failsafe</b></p>	500 VAC	10 A	Slow-make switching element	1 NC + 1 FS	Silver	Screw	<b>704.910.4BFS</b>	1	0.027 kg
					Gold	Screw	<b>704.911.4BFS</b>	1	0.027 kg
 <p><b>Switching element failsafe</b></p>	500 VAC	10 A	Slow-make switching element	1 NC + 1 FS	Silver	Plug-in connection	<b>704.915.4FS</b>	1	0.027 kg
 <p><b>Switching element failsafe</b></p>	500 VAC	10 A	Slow-make switching element	1 NC + 1 FS	Gold	Double plug 6.3 x 0.8 mm	<b>704.911.4/DFS</b>	1	0.027 kg
					Silver	Double plug 6.3 x 0.8 mm	<b>704.915.4/DFS</b>	1	0.027 kg



Product attribute	Switching voltage	Switching current	Switching system	Contacts	Contact material	Terminal	Part No.	Wiring diagram	Weight
 <p><b>Switching element failsafe</b></p>	500 VAC	10 A	Slow-make switching element	1 NC + 1 FS	Gold	Push-in Terminal	<b>704.917.4FS</b>	1	0.027 kg
					Silver	Push-in Terminal	<b>704.918.4FS</b>	1	0.027 kg


Contacts: NC = Normally closed, FS = Failsafe

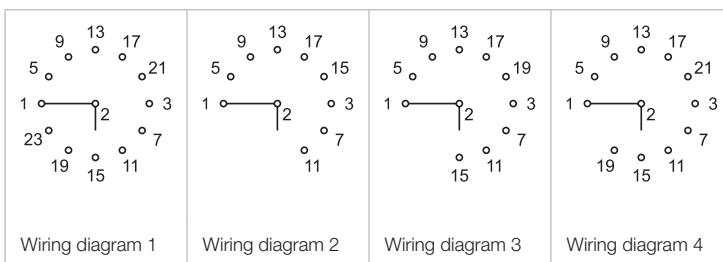


## Rotary switching element 30°

### Additional Information

- Switching positions and functions of the rotary switching element are being produced according to customer specifications. Please contact your local EAO Sales Office

Product attribute	Switching positions	Rotary positions	Multi-step switch	Stages	Terminal	Part No.	Wiring diagram	Weight
 <p><b>Rotary switching element 30°</b></p>	A = Rest, I = End	9	1 pole	5	Screw	<b>704.8A236</b>	2	0.073 kg
	A = Rest, K = End	20	1 pole	5	Screw	<b>704.8A237</b>	3	0.073 kg
	A = Rest, L = End	11	1 pole	6	Screw	<b>704.8A238</b>	4	0.082 kg
	A = Rest, M = End	12	1 pole	6	Screw	<b>704.8A239</b>	1	0.082 kg
without stop	A = Rest	12	1 pole	6	Screw	<b>704.8A639</b>	1	0.082 kg




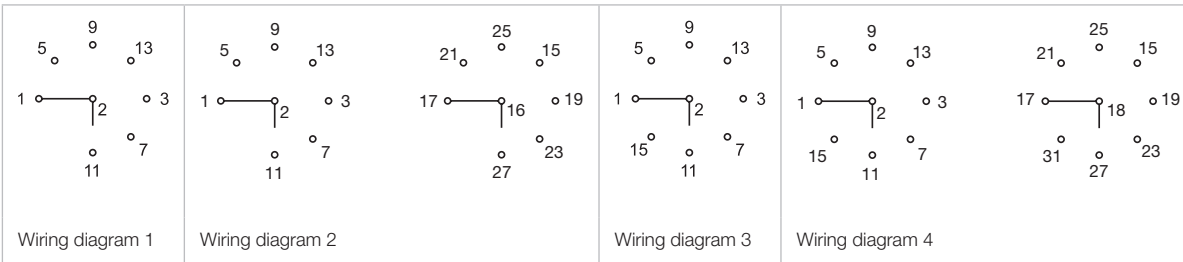
# 04 Accessories

## Rotary switching element 45°

### Additional Information

- Switching positions and functions of the rotary switching element are being produced according to customer specifications. Please contact your local EAO Sales Office


Switching positions	Rotary positions	Multi-step switch	Stages	Terminal	Part No.	Wiring diagram	Weight
 <b>Rotary switching element 45°</b>							
A = Rest, G = End	7	1 pole	4	Screw	<b>704.8A234</b>	1	0.064 kg
		2 pole	7	Screw	<b>704.8A254</b>	2	0.091 kg
A = Rest, H = End	8	1 pole	4	Screw	<b>704.8A235</b>	3	0.064 kg
		2 pole	8	Screw	<b>704.8A255</b>	4	0.100 kg

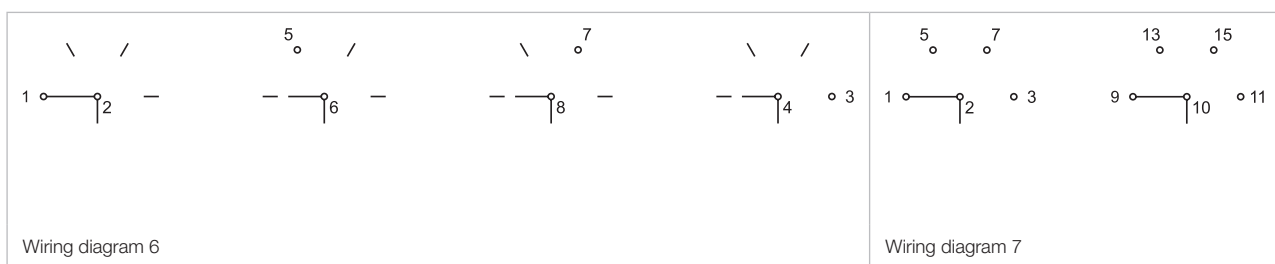
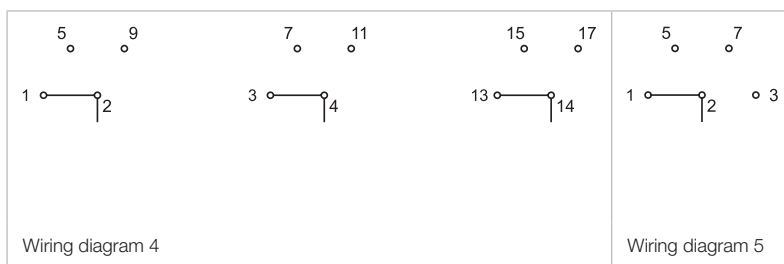
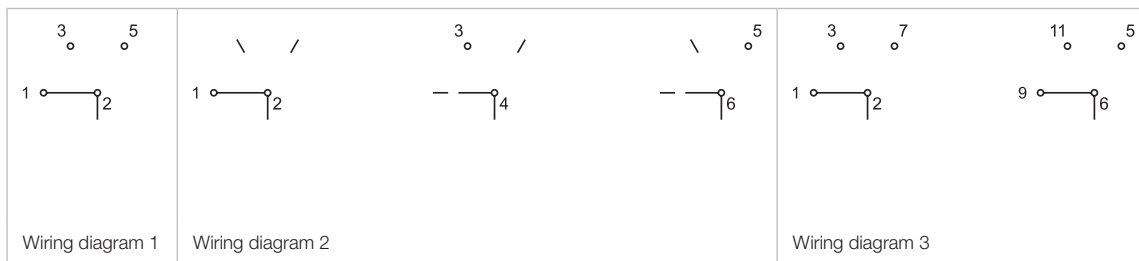


## Rotary switching element 60°

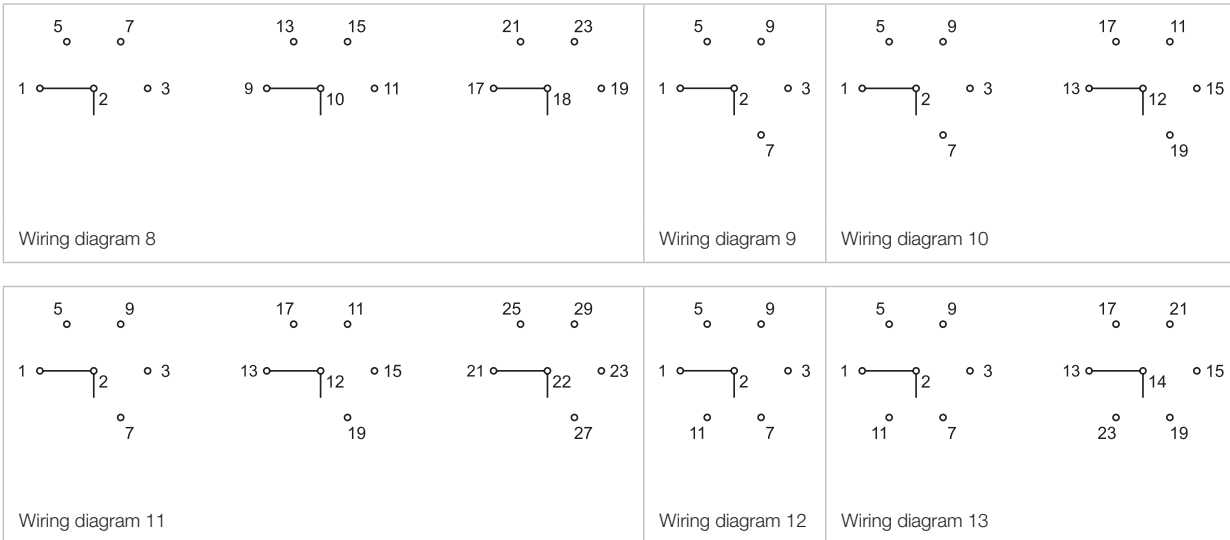
### Additional Information

- Switching positions and functions of the rotary switching element are being produced according to customer specifications. Please contact your local EAO Sales Office

Switching positions	Rotary positions	Multi-step switch	Stages	Terminal	Part No.	Wiring diagram	Weight
 <b>Rotary switching element 60°</b>							
A = Rest, C = End	3	1 pole	2	Screw	<b>704.8A230</b>	1	0.046 kg
		1 pole, electrically isolated	2	Screw	<b>704.8A730</b>	2	0.046 kg
		2 pole	3	Screw	<b>704.8A250</b>	3	0.055 kg
		3 pole	5	Screw	<b>704.8A270</b>	4	0.073 kg
A = Rest, D = End	4	1 pole	2	Screw	<b>704.8A231</b>	5	0.046 kg
		1 pole, electrically isolated	2	Screw	<b>704.8A731</b>	6	0.046 kg
		2 pole	4	Screw	<b>704.8A251</b>	7	0.064 kg
		3 pole	6	Screw	<b>704.8A271</b>	8	0.082 kg
A = Rest, E = End	5	1 pole	3	Screw	<b>704.8A232</b>	9	0.055 kg
		2 pole	5	Screw	<b>704.8A252</b>	10	0.073 kg
		3 pole	8	Screw	<b>704.8A272</b>	11	0.100 kg
A = Rest, F = End	6	1 pole	3	Screw	<b>704.8A233</b>	12	0.055 kg
		2 pole	6	Screw	<b>704.8A253</b>	13	0.082 kg



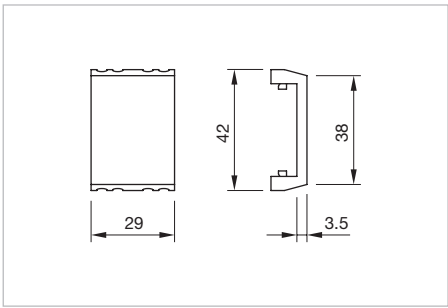
# 04 Accessories




## Terminal cover

**Additional Information**


- For covering of screw terminal



Dimensions [mm]

Part No.	Weight
 <p><b>Terminal cover</b></p>	
704.964.5	0.003 kg

**Terminal marking**


Product attribute	Marking	Part No.	Weight
 <p><b>Terminal marking</b></p>			
2 NO for 1st or 2nd switching element	13/23 33/43	<b>704.965.1</b>	0.001 kg
	24/14 44/34	<b>704.965.2</b>	0.001 kg
2 NO for 3rd switching element	53/63 73/83	<b>704.965.3</b>	0.001 kg
	64/54 84/74	<b>704.965.4</b>	0.001 kg
2 NC for 1st or 2nd switching element	11/21 31/41	<b>704.965.5</b>	0.001 kg
	22/12 42/32	<b>704.965.6</b>	0.001 kg
2 NC for 3rd switching element	51/61 71/81	<b>704.965.7</b>	0.001 kg
	62/52 82/72	<b>704.965.8</b>	0.001 kg
1 NC + 1 NO for 1st or 2nd switching element	13/21 33/41	<b>704.965.9</b>	0.001 kg
	22/14 42/34	<b>704.966.0</b>	0.001 kg
1 NC + 1 NO for 3rd switching element	53/61 73/81	<b>704.966.1</b>	0.001 kg
	62/54 82/74	<b>704.966.2</b>	0.001 kg

Contacts: NC = Normally closed, NO = Normally open

**Contact bridge**

**Additional Information**

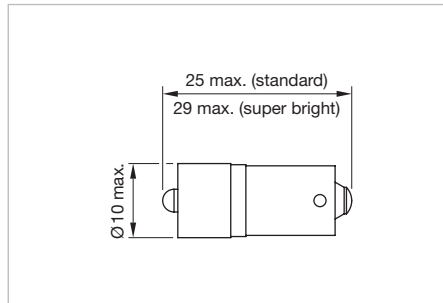
- For switching element with screw terminals
- Do not insert by Emergency-stop switches and by stop switches
- Available in unit of 10 pieces

Part No.	Weight
 <p><b>Contact bridge</b></p>	
<b>704.990.1</b>	0.001 kg


### LED, BA9s



#### Additional Information

- The specified 6 VDC, 24 VDC Bi-colour; 130 VAC, 130 DC und 230 VAC versions are built with a protection diode
- The specified 12, 24, 28, 48 VAC/DC versions are built with a bridge rectifier
- The specified 130 VAC types are developed to run on a supply voltage of 130 VAC only. An operation at a higher supply voltage using commercial lampholders with integrated resistors, is not approved
- If the 24VDC Bi-colour lamp is driven with normal polarity (plus on middle contact of the lamp) the first mentioned colour will light up, with inverted polarity the second colour will light up
- Luminous intensity data of the LEDs on direct voltage
- Electrical and optical data are measured at 25 °C
- Luminosity and wave length variations caused by LED manufacturing processes may cause slight differences regarding the illumination



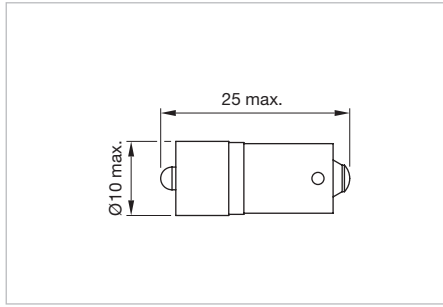
Dimensions [mm]

LED colour	Operating voltage	Operation current	Lumi. intensity	Dom. wavelength	Part No.	Weight
 <h4>Single-LED</h4>						
Single-LED red	6 VDC +10 %	17 mA ±15 %	400 mcd	630 nm	<b>10-2506.1082</b>	0.002 kg
	12 VAC/DC +10 %	16 mA ±15 %	390 mcd	630 nm	<b>10-2509.1142</b>	0.002 kg
	24 VAC/DC +10 %	15 mA ±15 %	350 mcd	630 nm	<b>10-2512.1142</b>	0.002 kg
	28 VAC/DC +10 %	13 mA ±15 %	300 mcd	630 nm	<b>10-2513.1142</b>	0.002 kg
	48 VAC/DC +10 %	8 mA ±15 %	200 mcd	630 nm	<b>10-2519.1052</b>	0.002 kg
	130 VDC +10 %	3 mA ±15 %	120 mcd	630 nm	<b>10-2524.3042</b>	0.002 kg
	130 VAC +10 %	5 mA ±15 %	180 mcd	630 nm	<b>10-2H24.2052</b>	0.002 kg
	230 VAC +10 %	3 mA ±15 %	120 mcd	630 nm	<b>10-2H25.2042</b>	0.002 kg
Single-LED yellow	6 VDC +10 %	17 mA ±15 %	340 mcd	587 nm	<b>10-2506.1084</b>	0.002 kg
	12 VAC/DC +10 %	16 mA ±15 %	340 mcd	587 nm	<b>10-2509.1144</b>	0.002 kg
	24 VAC/DC +10 %	15 mA ±15 %	300 mcd	587 nm	<b>10-2512.1144</b>	0.002 kg
	28 VAC/DC +10 %	13 mA ±15 %	270 mcd	587 nm	<b>10-2513.1144</b>	0.002 kg
	48 VAC/DC +10 %	8 mA ±15 %	180 mcd	587 nm	<b>10-2519.1054</b>	0.002 kg
	130 VDC +10 %	3 mA ±15 %	110 mcd	587 nm	<b>10-2524.3044</b>	0.002 kg
	130 VAC +10 %	5 mA ±15 %	160 mcd	587 nm	<b>10-2H24.2054</b>	0.002 kg
	230 VAC +10 %	3 mA ±15 %	110 mcd	587 nm	<b>10-2H25.2044</b>	0.002 kg
Single-LED green	6 VDC +10 %	7 mA ±15 %	1050 mcd	525 nm	<b>10-2506.1085</b>	0.002 kg
	12 VAC/DC +10 %	7 mA ±15 %	1050 mcd	525 nm	<b>10-2509.1145</b>	0.002 kg
	24 VAC/DC +10 %	7 mA ±15 %	1050 mcd	525 nm	<b>10-2512.1145</b>	0.002 kg
	28 VAC/DC +10 %	7 mA ±15 %	1050 mcd	525 nm	<b>10-2513.1145</b>	0.002 kg
	48 VAC/DC +10 %	4 mA ±15 %	600 mcd	525 nm	<b>10-2519.1055</b>	0.002 kg
	130 VDC +10 %	2 mA ±15 %	300 mcd	525 nm	<b>10-2524.3045</b>	0.002 kg
	130 VAC +10 %	3 mA ±15 %	450 mcd	525 nm	<b>10-2H24.2055</b>	0.002 kg
	230 VAC +10 %	2 mA ±15 %	300 mcd	525 nm	<b>10-2H25.2045</b>	0.002 kg

LED colour	Operating voltage	Operation current	Lumi. intensity	Dom. wavelength	Part No.	Weight
Single-LED blue	6 VDC +10 %	17 mA ±15 %	780 mcd	470 nm	<b>10-2506.1086</b>	0.002 kg
	12 VAC/DC +10 %	16 mA ±15 %	720 mcd	470 nm	<b>10-2509.1146</b>	0.002 kg
	24 VAC/DC +10 %	15 mA ±15 %	680 mcd	470 nm	<b>10-2512.1146</b>	0.002 kg
	28 VAC/DC +10 %	13 mA ±15 %	590 mcd	470 nm	<b>10-2513.1146</b>	0.002 kg
	48 VAC/DC +10 %	8 mA ±15 %	400 mcd	470 nm	<b>10-2519.1056</b>	0.002 kg
	130 VDC +10 %	3 mA ±15 %	200 mcd	470 nm	<b>10-2524.3046</b>	0.002 kg
	130 VAC +10 %	5 mA ±15 %	230 mcd	470 nm	<b>10-2H24.2056</b>	0.002 kg
	230 VAC +10 %	3 mA ±15 %	200 mcd	470 nm	<b>10-2H25.2046</b>	0.002 kg
Single-LED white	6 VDC +10 %	5 mA ±15 %	750 mcd	x0.31/y0.32 nm	<b>10-2506.1089</b>	0.002 kg
	12 VAC/DC +10 %	8 mA ±15 %	1200 mcd	x0.31/y0.32 nm	<b>10-2509.1149</b>	0.002 kg
	24 VAC/DC +10 %	7 mA ±15 %	1050 mcd	x0.31/y0.32 nm	<b>10-2512.1149</b>	0.002 kg
	28 VAC/DC +10 %	5 mA ±15 %	750 mcd	x0.31/y0.32 nm	<b>10-2513.1149</b>	0.002 kg
	48 VAC/DC +10 %	5 mA ±15 %	750 mcd	x0.31/y0.32 nm	<b>10-2519.1059</b>	0.002 kg
	130 VDC +10 %	1.5 mA ±15 %	225 mcd	x0.31/y0.32 nm	<b>10-2524.3049</b>	0.002 kg
	130 VAC +10 %	2 mA ±15 %	300 mcd	x0.31/y0.32 nm	<b>10-2H24.2059</b>	0.002 kg
	230 VAC +10 %	1.5 mA ±15 %	225 mcd	x0.31/y0.32 nm	<b>10-2H25.2049</b>	0.002 kg
 <p><b>Single-LED super bright</b></p>						
Single-LED red	28 VAC/DC +10 %	14 mA ±15 %	7700 mcd	630 nm	<b>10-2413.1132R</b>	0.002 kg
Single-LED green	28 VAC/DC +10 %	13 mA ±15 %	12400 mcd	525 nm	<b>10-2413.1125R</b>	0.002 kg
Single-LED yellow	28 VAC/DC +10 %	14 mA ±15 %	4200 mcd	589 nm	<b>10-2413.1134R</b>	0.002 kg
 <p><b>Single-LED with integrated Zener diode</b></p>						
Single-LED red	24–30 VAC/DC +10 %	13–19 mA ±15 %	300–440 mcd	630 nm	<b>10-2H13.3162Q</b>	0.002 kg
Single-LED green	24–30 VAC/DC +10 %	12–18 mA ±15 %	1800–2700 mcd	525 nm	<b>10-2H13.3165Q</b>	0.002 kg
Single-LED yellow	24–30 VAC/DC +10 %	13–19 mA ±15 %	270–380 mcd	587 nm	<b>10-2H13.3164Q</b>	0.002 kg
Single-LED blue	24–30 VAC/DC +10 %	12–18 mA ±15 %	560–800 mcd	470 nm	<b>10-2H13.3166Q</b>	0.002 kg
Single-LED white diffuse	24–30 VAC/DC +10 %	7–11 mA ±15 %	600–900 mcd	x0.31/y0.32	<b>10-2H13.3169Q</b>	0.002 kg
 <p><b>Bi-colour LED</b></p>						
Bi-colour LED red/green	24 VDC +10 %	15 mA ±15 %	1200/900 mcd	625/525 nm	<b>10-2H12.314A</b>	0.002 kg
Bi-colour LED red/yellow	24 VDC +10 %	15 mA ±15 %	1200/550 mcd	625/589 nm	<b>10-2H12.314B</b>	0.002 kg
Bi-colour LED yellow/green	24 VDC +10 %	15 mA ±15 %	900/550 mcd	525/589 nm	<b>10-2H12.314C</b>	0.002 kg

# 04 Accessories

## LED BA9s, EN 50155, Fail Safe




Product can differ from the current configuration.

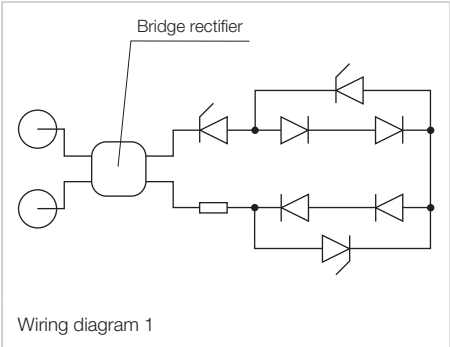
Dimensions [mm]

### Additional Information

- A suitable LED remover Part No. 700.006.0 (Series 44 Part No. 44-935)
- Luminous intensity data of the LEDs on direct voltage
- Electrical and optical data are measured at 25 °C
- The specified 72 and 110 VAC/VDC versions are built with a protection diode
- Specified 72 and 110 VAC/VDC versions are built with a bridge rectifier
- In case one LED fails, the other pair of still functioning LED-s is working. The light output then is half in order to indicate the malfunction and shows this way the need for replacement
- Luminosity and wave length variations caused by LED manufacturing processes may cause slight differences regarding the illumination

LED colour	Operating voltage	Operation current	Lumi. intensity	Dom. wavelength	Part No.	Wiring diagram	Weight
 <p><b>Multi-LED Fail Safe</b></p>							
Multi-LED rot	72 VAC/DC -30%/+25 %	2.2 mA -30%/+25 %	4 x 190 mcd	625 nm	<b>10-4H21.1032P</b>	1	0.002 kg
	110 VAC/DC -30%/+25 %	2 mA -30 % /+25%	4 x 170 mcd	625 nm	<b>10-4H22.1032P</b>	1	0.002 kg
Multi-LED yellow	72 VAC/DC -30%/+25 %	2.2 mA -30%/+25 %	4 x 190 mcd	589 nm	<b>10-4H21.1034P</b>	1	0.002 kg
	110 VAC/DC -30%/+25 %	2 mA -30%/+25 %	4 x 170 mcd	589 nm	<b>10-4H22.1034P</b>	1	0.002 kg
Multi-LED green	72 VAC/DC -30%/+25 %	2.2 mA -30%/+25 %	4 x 120 mcd	525 nm	<b>10-4H21.1035P</b>	1	0.002 kg
	110 VAC/DC -30%/+25 %	2 mA -30%/+25 %	4 x 170 mcd	525 nm	<b>10-4H22.1035P</b>	1	0.002 kg
Multi-LED blue	72 VAC/DC -30%/+25 %	2.2 mA -30%/+25 %	4 x 30 mcd	465 nm	<b>10-4H21.1036P</b>	1	0.002 kg
	110 VAC/DC -30%/+25 %	2 mA -30%/+25 %	4 x 25 mcd	465 nm	<b>10-4H22.1036P</b>	1	0.002 kg
Multi-LED white	72 VAC/DC -30%/+25 %	2.2 mA -30%/+25 %	4 x 160 mcd		<b>10-4H21.1039P</b>	1	0.002 kg
	110 VAC/DC -30%/+25 %	2 mA -30%/+25 %	4 x 145 mcd		<b>10-4H22.1039P</b>	1	0.002 kg



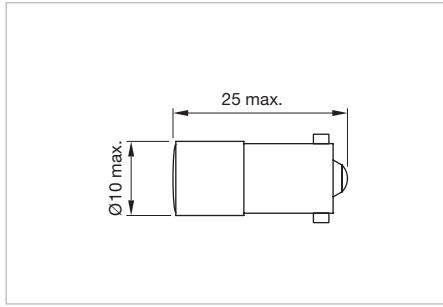


# 04 Accessories

## LED BA9s, EN 50155




Product can differ from the current configuration.

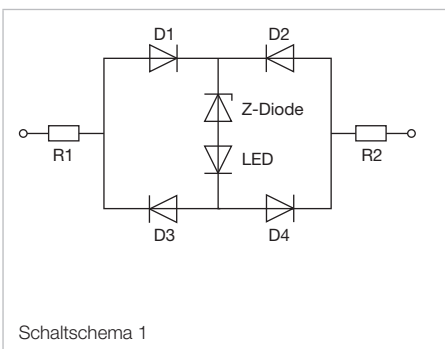


Dimensions [mm]

### Additional Information

- A suitable LED remover Part No. 700.006.0 (Series 44 Part No. 44-935)
- Luminous intensity data of the LEDs on direct voltage
- Electrical and optical data are measured at 25 °C
- The specified 24 VAC/VDC versions are built with a protection diode
- Specified 24 VAC/VDC versions are built with a bridge rectifier
- The new, white BA9s LED operates within a range of 16VDC to 34VDC. It conforms to the norms EN 50155 and IEEE 1476.
- Luminosity and wave length variations caused by LED manufacturing processes may cause slight differences regarding the illumination


LED colour	Operating voltage	Operation current	Lumi. intensity	Dom. wavelength	Part No.	Wiring diagram	Weight
	<b>Multi-LED</b>						
Multi-LED white	24 VAC/DC -30%/+25 %	7.5 mA -30%/+25 %	700 mcd	625 nm	<b>10-2412.1089P</b>	1	0.002 kg



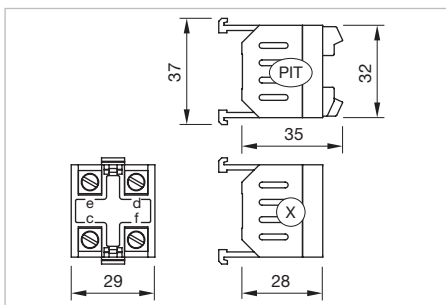
**Filament lamp, BA9s**

**Additional Information**


- The max. overall length of the lamp may not exceed 28 mm

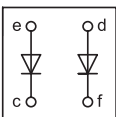
Operating voltage	Operation current	Part No.	Weight
 <p><b>Filament lamp</b></p>			
12 VAC/DC	100 mA±10 %	<b>10-1409.1329</b>	0.002 kg
24 VAC/DC	50 mA±10 %	<b>10-1412.1279</b>	0.002 kg
36 VAC/DC	56 mA±10 %	<b>10-1416.1289</b>	0.002 kg
60 VAC/DC	33 mA±10 %	<b>10-1420.1219</b>	0.002 kg
110 VAC/DC	22 mA±10 %	<b>10-1422.1179</b>	0.002 kg
130 VAC/DC	20 mA±10 %	<b>10-1424.1179</b>	0.002 kg

**Diode block**



Dimensions [mm]  
 PIT = Push-in terminal,  
 X = Screw terminal

Diode 1N4007	Terminal	Part No.	Wiring diagram	Weight
				
2	Push-in Terminal	<b>704.942.5P</b>	1	0.016 kg
	Screw	<b>704.942.5</b>	1	0.019 kg



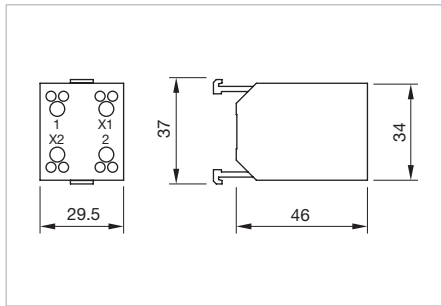
Wiring diagram 1

# 04 Accessories


## Lamp transformer

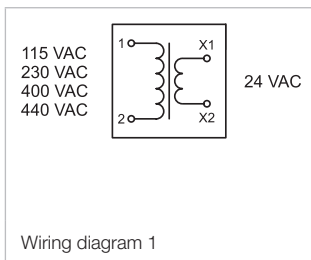
### Additional Information

- Lamp voltage/-current 24 VAC, 50 mA, 50/60 Hz

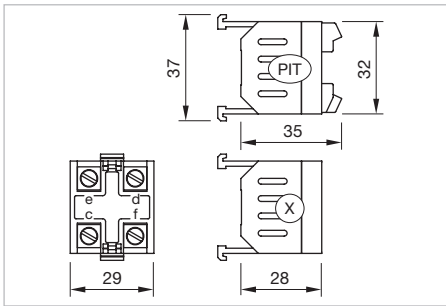


Dimensions [mm]


Operating voltage	Terminal	Part No.	Wiring diagram	Weight
 <p style="text-align: center;"><b>Lamp transformer</b></p>				
115 / 24 VAC	Screw	<b>704.970.3</b>	1	0.100 kg
230 / 24 VAC	Screw	<b>704.970.4</b>	1	0.100 kg
400 / 24 VAC	Screw	<b>704.970.5</b>	1	0.100 kg
440 / 24 VAC	Screw	<b>704.970.6</b>	1	0.100 kg

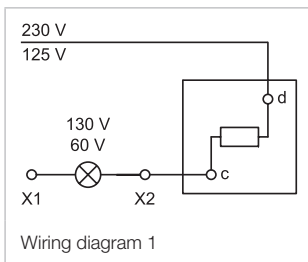


**Resistor block**



Dimensions [mm]  
 PIT = Push-in terminal,  
 X = Screw terminal

Product attribute	Operating voltage	Terminal	Part No.	Wiring diagram	Weight
					
Lamp voltage/-current 130 V, 20 mA	230 / 130 VAC	Screw	<b>704.941.0</b>	1	0.017 kg
Lamp voltage/- current 60 V, 33 mA	125 / 60 VAC	Push-in Terminal	<b>704.941.5P</b>	1	0.014 kg
	125 / 60 VAC	Screw	<b>704.941.5</b>	1	0.017 kg

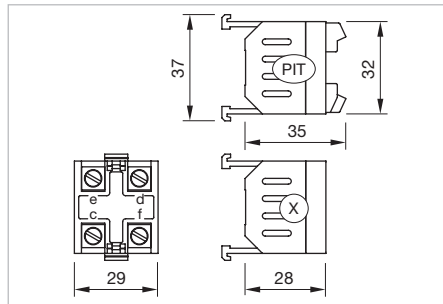


# 04 Accessories


## Resistor-diode block

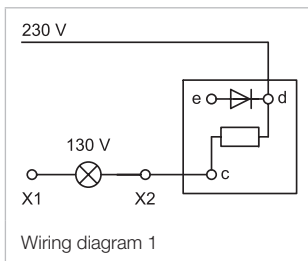
### Zusätzliche Informationen

- Lamp voltage/-current 130 V, 20 mA



Dimensions [mm]  
 PIT = Push-in terminal,  
 X = Screw terminal


Operating voltage	Terminal	Part No.	Wiring diagram	Weight
				
230 / 130 VAC	Screw	<b>704.941.9</b>	1	0.017 kg



## Terminal plate empty

### Additional Information

- For fitting with series resistors





Product attribute	Dimension	Part No.	Weight
			
<b>Terminal plate empty</b>			
5 spaces	62.5 x 60 x 15 mm	<b>02-912.1</b>	0.025 kg
10 spaces	125 x 60 x 15 mm	<b>02-912.2</b>	0.045 kg
15 spaces	187.6 x 60 x 15 mm	<b>02-912.3</b>	0.090 kg
20 spaces	250 x 60 x 15 mm	<b>02-912.4</b>	0.095 kg

Emergency-stop switch

Emergency-stop legend

Additional Information

- Front panel thickness 3 mm max.

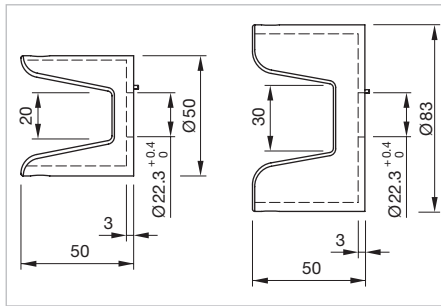
Dimension	Mounting cut-out	Marking	Colour	Part No.	Weight
					
<b>Emergency-stop legend</b>					
Ø 59 x 1 mm	Ø 22.5 mm	NOT AUS	yellow	<b>704.963.5</b>	0.011 kg
		EMERGENCY STOP	yellow	<b>704.963.6</b>	0.011 kg
		ARRET D'URGENCE	yellow	<b>704.963.7</b>	0.011 kg
		Symbol	yellow	<b>704.963.8</b>	0.011 kg
					
<b>Emergency-stop legend</b>					
Ø 59 x 1 mm	Ø 22.5 mm	Symbol	yellow	<b>704.963.9</b>	0.011 kg
					
<b>Emergency-stop legend</b>					
Ø 90 x 1 mm	Ø 22.5 mm	NOT AUS	yellow	<b>704.963.0</b>	0.011 kg
		EMERGENCY STOP	yellow	<b>704.963.1</b>	0.011 kg
		ARRET D'URGENCE	yellow	<b>704.963.2</b>	0.011 kg
		NOT HALT	yellow	<b>704.963.3</b>	0.011 kg
					
<b>Emergency-stop legend</b>					
Ø 90 x 1 mm	Ø 22.5 mm	Symbol	yellow	<b>704.963.4</b>	0.011 kg

# 04 Accessories



## E-stop protective shroud, IP65

### Additional Information

- Use only for Part No. 704.064.2 und 704.066.2
- The protection shroud is not suitable for a proper use of emergency-stop. It can obstruct a spontaneous operation of the emergency-stop



Dimensions [mm]

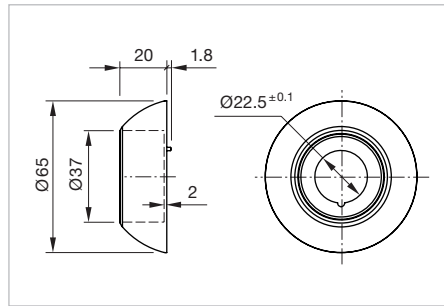
Dimension	Material	Colour	Standard	Part No.	Weight
	<b>E-stop protective shroud</b>				
Ø 50 mm	Plastic	yellow		<b>704.927.8</b>	0.052 kg
	<b>E-stop protective shroud</b>				
Ø 83 mm	Plastic	yellow	SEMI S2-93/12.4.c	<b>704.927.9</b>	0.067 kg




**E-stop protective shroud, IP 67**

**Additional Information**

- Front panel thickness 1 .... 2.5 mm other actuators
- Front panel thickness 1 .... 5 mm Emergency-stop switch
- With anti-twist device
- When using a protective shroud the e-stop or stop switch has to be turned by 180° to be mounted. See dimensional drawing
- Do not use solvents when cleaning



Dimensions mm]

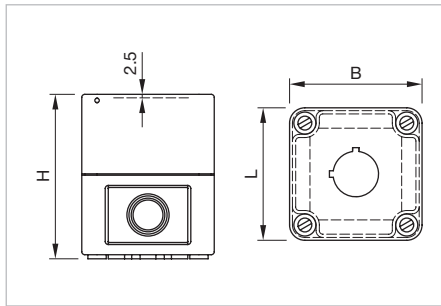
Dimension	Marking	Colour	Protection degree	Part No.	Weight
 <p><b>E-stop protective shroud</b></p>					
Ø 65 mm		yellow	IK 07	<b>704.927.6</b>	0.017 kg
	NOT-AUS	yellow	IK 07	<b>704.927.6A</b>	0.017 kg
	EMERGENCY-STOP	yellow	IK 07	<b>704.927.6B</b>	0.017 kg
	EMERGENCY-STOP / NOT-AUS	yellow	IK 07	<b>704.927.6C</b>	0.017 kg

# 04 Accessories

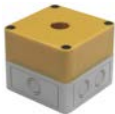


## Emergency-stop enclosure

### Additional Information

- Bottom grey similar RAL 7035; cover lead-sealable, yellow similar RAL 1004
- Openings for cable gland M16 or M20
- To be used with one switching element Series 04



Dimensions [mm]

Product attribute	Dimension	Part No.	Weight
 <p><b>Emergency-stop enclosure</b></p>			
with mounting cut-out 1 x Ø 22.5 mm, with anti-twist device	L 94 x B 94 x H 81 mm	<b>704.945.0</b>	0.195 kg
 <p><b>Emergency-stop enclosure</b></p>			
with mounting cut-out 1 x Ø 22.5 mm, with anti-twist device	L 65 x B 65 x H 81 mm	<b>704.945.7</b>	0.127 kg
 <p><b>Emergency-stop enclosure</b></p>			
with mounting cut-out 1 x Ø 22.5 mm, with anti-twist device	L 94 x B 65 x H 81 mm	<b>704.945.8</b>	0.157 kg

## Cable gland, IP 68


### Additional Information

- With traction relief
- With fixing nut

Product attribute	Thread	Material	Colour	Part No.	Weight
 <p><b>Cable gland</b></p>					
Clamping range Ø 4 ... 10 mm, thread length 8 mm	M16 x 1.5	Plastic	grey	<b>61-9481.6</b>	0.007 kg
Clamping range Ø 6 ... 12 mm, thread length 9 mm	M20 x 1.5	Plastic	grey	<b>704.945.6</b>	0.011 kg

Mounting

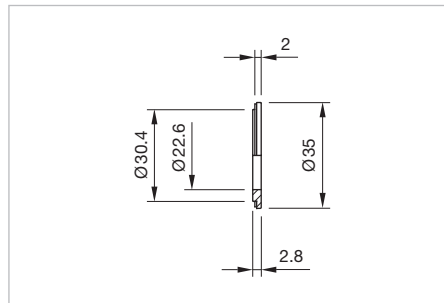
Anti-twist ring

Part No.	Weight
 <p><b>Anti-twist ring, flush design</b></p>	
704.954.0	0.002 kg



Reducing ring

Additional Information

- Devices  $\varnothing 22.5$  mm in mounting cut-out  $\varnothing 30.5$  mm
- With the metal bayonet flange you can use one reduction ring. If you have a plastic bayonet flange you need to install two reduction rings
- The colour of anodized aluminium parts can vary due to technical production reasons



Dimensions [mm]

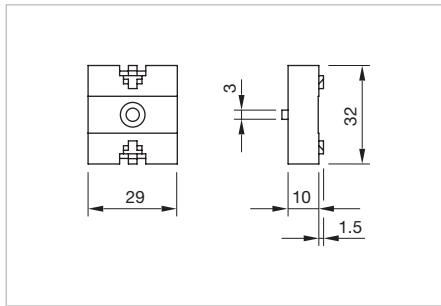
Product attribute	Material	Colour	Part No.	Weight
 <p><b>Reducing ring</b></p>	Aluminium	black anodized	<b>704.960.0</b>	0.004 kg
		natural anodized	<b>704.960.8</b>	0.004 kg
 <p><b>Reducing ring with opening for anti rotation pin</b></p>	Aluminium	natural anodized	<b>704.960.8A</b>	0.004 kg
with slot for anti-twist device				

# 04 Accessories

## Mounting plate

### Additional Information

- For separate mounting of lamp transformer, resistor block or capacitor block



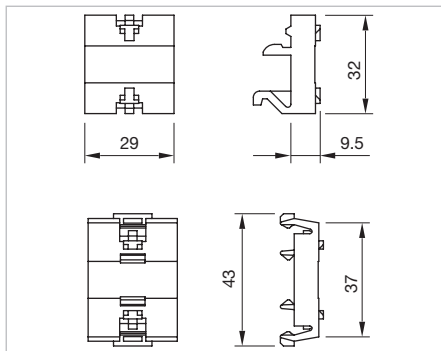
Dimensions [mm]

Material	Colour	Part No.	Weight
 <b>Mounting plate</b>			
Plastic	grey	<b>704.940.8</b>	0.006 kg



## Snap-on base

### Additional Information

- To snap-on, for separate mounting of lamp transformer, resistor block or capacitor block




Dimensions [mm]

Product attribute	Part No.	Weight
 <b>Snap-on base</b>		
DIN mounting bar EN 50035	<b>704.940.9</b>	0.006 kg
 <b>Snap-on base</b>		
DIN mounting bar EN 50022	<b>704.941.1</b>	0.006 kg

**Reinforcement ring**

**Additional Information**


- For thin front panel and plastic case

Dimension	Mounting cut-out	Material	Colour	Part No.	Weight
 <p><b>Reinforcement ring</b></p>					
44 x 29 x 3 mm	Ø 22.5 mm	Steel sheet	galvanized, yellow passivated	<b>704.960.9</b>	0.014 kg

**Lens plug**

**Additional Information**


- With lamp remover function (BA9s)
- For mounting and dismantling of the round lens, flush design

Part No.	Weight
 <p><b>Lens plug for round lens, flush design</b></p>	
<b>700.006.0</b>	0.003 kg

**Lens remover**

**Additional Information**

- For dismantling of the square lens, flush design


Part No.	Weight
 <p><b>Lens remover</b></p>	
<b>98-968</b>	0.004 kg

# 04 Accessories

## Mounting tool indicator

### Additional Information


- For Indicators full-face illumination, compact
- for tightening or loosening of the fixing nut

Product attribute	Part No.	Weight
 <p><b>Mounting tool for indicator</b></p>	<b>700.005.0</b>	0.020 kg

## Mounting tool key insert switch

### Additional Information


- for tightening or loosening of the fixing nut

Product attribute	Part No.	Weight
 <p><b>Mounting tool for key insert switch</b></p>	<b>704.990.0</b>	0.020 kg

## Cable gland, IP 68

### Additional Information

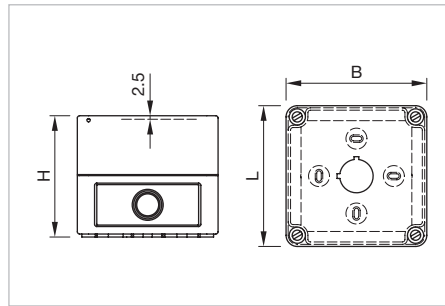
- With traction relief
- With fixing nut

Product attribute	Thread	Material	Colour	Part No.	Weight
 <p><b>Cable gland</b></p>					
Clamping range Ø 4 ... 10 mm, thread length 8 mm	M16 x 1.5	Plastic	grey	<b>61-9481.6</b>	0.007 kg
Clamping range Ø 6 ... 12 mm, thread length 9 mm	M20 x 1.5	Plastic	grey	<b>704.945.6</b>	0.011 kg






## Enclosure, IP 66

### Additional Information

- Cover lead-sealable
- Openings for cable gland M16 or M20

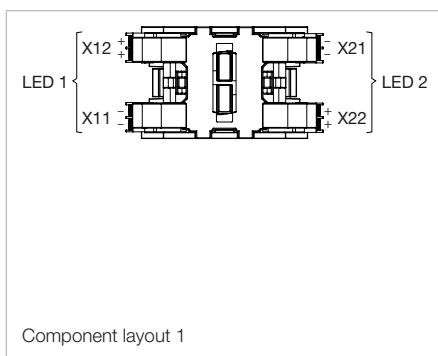


Dimensions [mm]

Product attribute	Dimension	Material	Colour	Part No.	Weight
 <p><b>Enclosure</b></p>	L 94 x B 94 x H 81 mm	Plastic	grey, similar RAL 7035	<b>704.945.1</b>	0.211 kg
 <p><b>Enclosure</b></p>	L 130 x B 94 x H 81 mm	Plastic	grey, similar RAL 7035	<b>704.945.2</b>	0.251 kg
 <p><b>Enclosure</b></p>	L 180 x B 94 x H 81 mm	Plastic	grey, similar RAL 7035	<b>704.945.3</b>	0.313 kg
 <p><b>Enclosure</b></p>	L 180 x B 182 x H 110 mm	Plastic	grey, similar RAL 7035	<b>704.945.4</b>	0.572 kg
 <p><b>Enclosure</b></p>	L 180 x B 182 x H 110 mm	Plastic	grey, similar RAL 7035	<b>704.945.5</b>	0.568 kg

# 04 Drawings

## Drawings





**Slow-make switching element**
**Switching system**

The double-break, slow-make switching element is equipped with one or two independent contact systems, acting as normally open or normally closed contact. The normally closed contact has forced opening.

Slow-make contacts with forced action are ideal for high switch ratings.

Up to three switching elements can be snapped to each actuator. For the emergency-stop pushbutton use the slow-make switching element (max. 3).

**Material**
**Material of contact**

Hardsilver, gold-silver, silver-palladium (for aggressive atmospheres)

**Switch housing**

Polycarbonate (PC)

**Mechanical characteristics**
**Terminals**

Screw terminals

Plug-in terminals 6.3 x 0.8 mm

max. wire cross-section 2 x 2.5 mm<sup>2</sup>

max. wire cross-section of stranded cable 2 x 1.5 mm<sup>2</sup>

For switches with plug-in terminals it is necessary to provide insulation sleeves and to maintain a spacing of 65 mm between rows (mounting cut-outs)

**Tightening torque**

Screws at the mounting flange max. 0.25–0.30 Nm

Screws at switching element max. 0.50 Nm

**Actuating force**

1 Normally closed 2 N

1 Normally open 3.1 N

**Actuating travel**

5.8 mm ± 0.2 mm

**Rebound time**

≤ 1 ms

**Mechanical lifetime**

(with 1 switching element)

Pushbutton maintained action 1.5 million Cycles of operation

Pushbutton momentary action 3 million Cycles of operation

Selector switch maintained action 1.25 million Cycles of operation

Selector switch momentary action 2.5 million Cycles of operation

Emergency-stop switch 50 000 Cycles of operation

Keylock switch maintained action 25 000 Cycles of operation

Keylock switch momentary action 50 000 Cycles of operation

**Electrical characteristics**
**Standards**

The switches comply with the “Standards for low-voltage switching devices” EN IEC 60947-5-1

**Rated Insulation Voltage U<sub>i</sub>**

500 VAC/600 VDC, as per EN IEC 60947-5-1

**Contact resistance**

New state ≤ 50 mΩ as per DIN IEC 60512-2-4

**Isolation resistance**

≥ 10 MΩ between open contacts at 500 VDC, as per DIN IEC 60512-3-1

**Electrical life**

6050 cycles of operations

**Conventional free air thermal current I<sub>th</sub>**

As per EN IEC 60947-5-1

6 A for plug-in terminals

10 A for screw terminals

the maximum current in continuous operation and at ambient temperature must not exceed the quoted maximum values.

**Switch rating**

At switch rating AC for gold-silver, silver-palladium and hardsilver contacts, service category AC-15, as per EN IEC 60947-5-1 (cos φ 0.3)

Voltage	230 VAC	400 VAC	500 VAC
---------	---------	---------	---------

Current	7 A	5 A	4 A
---------	-----	-----	-----

At switch rating DC for gold-silver and hardsilver contacts, service category DC-13, as per EN IEC 60947-5-1

Voltage	24 VDC	60 VDC	110 VDC	250 VDC
---------	--------	--------	---------	---------

Current	10 A	5 A	2.5 A	0.6 A
---------	------	-----	-------	-------

**Recommended minimum operational data**

Gold-silver contacts:

Voltage	24 VDC	110 VDC
---------	--------	---------

Current	5 mA	2 mA
---------	------	------

Hardsilver contacts:

Voltage	24 VDC	110 VDC
---------	--------	---------

Current	50 mA	10 mA
---------	-------	-------

**Protection class**

Indicators and switches, fit for mounting into devices with protection class II

# 04 Technical data

## Environmental conditions

### Storage temperature

-40 °C ... +85 °C

### Operating temperature

-40 °C ... +55 °C  
(other temperatures on request)

### Protection degree

IP 00

### Shock resistance

(single impacts, semi-sinusoidal)  
300 m/s<sup>2</sup> puls width 11 ms, as per EN IEC 60068-2-27

### Vibration resistance

(sinusoidal)  
100 m/s<sup>2</sup> at 10 Hz ... 500 Hz, amplitude 0.75 mm, as per EN IEC 60068-2-6

## Approvals

### Approbations

CB (IEC 60947)  
CCC  
CSA  
Germanischer Lloyd  
EAC  
NFF 16-102  
UL

### Declaration of conformity

CE

## Snap-action switching element

### Switching system

The double-break, snap-action switching element is equipped with one or two independent contact systems, acting as normally open or normally closed contact. The snap-action switching element is fitted with self-cleaning contacts. Up to three switching elements can be snapped to each actuator. Snap-action switching elements are not permissible for emergency-stop pushbuttons!

### Material

#### Material of contact

Hardsilver, gold-silver, silver-palladium (for aggressive atmospheres)

#### Switch housing

Polycarbonate (PC)

### Mechanical characteristics

#### Terminals

Screw terminals  
Plug-in terminals 6.3 x 0.8 mm  
max. wire cross-section 2 x 2.5 mm<sup>2</sup>  
max. wire cross-section of stranded cable 2 x 1.5 mm<sup>2</sup>  
For switches with plug-in terminals it is necessary to provide insulation sleeves and to maintain a spacing of 65 mm between rows (mounting cut-outs)

#### Tightening torque

Screws at the mounting flange max. 0.25–0.30 Nm  
Screws at switching element max. 0.50 Nm

#### Actuating force

1 Normally closed 1.9 N  
1 Normally open 2 N

### Actuating travel

5.8 mm ± 0.2 mm

### Rebound time

≤ 3 ms

### Mechanical lifetime

(with 1 switching element)  
Pushbutton maintained action 1.5 million Cycles of operation  
Pushbutton momentary action 3 million Cycles of operation  
Selector switch maintained action 1.25 million Cycles of operation  
Selector switch momentary action 2.5 million Cycles of operation  
Keylock switch maintained action 25 000 Cycles of operation  
Keylock switch momentary action 50 000 Cycles of operation

### Electrical characteristics

#### Standards

The switches comply with the "Standards for low-voltage switching devices" EN IEC 60947-5-1

#### Rated Insulation Voltage U<sub>i</sub>

500 VAC/600 VDC, as per EN IEC 60947-5-1

#### Contact resistance

New state ≤ 50 mΩ as per DIN IEC 60512-2-4

#### Isolation resistance

≥ 10 MΩ between open contacts at 500 VDC, as per DIN IEC 60512-3-1

#### Electrical life

50 000 cycles of operations

### Conventional free air thermal current $I_{th}$

As per EN IEC 60947-5-1

6 A for plug-in terminals

10 A for screw terminals

the maximum current in continuous operation and at ambient temperature must not exceed the quoted maximum values.

### Switch rating

At switch rating AC for gold-silver, silver-palladium and hardsilver contacts, service category AC-15, as per EN IEC 60947-5-1 ( $\cos\phi$  0.3)

Voltage	230 VAC	400 VAC	500 VAC
Current	6 A	4 A	2.5 A

At switch rating DC for gold-silver and hardsilver contacts, service category DC-13, as per EN IEC 60947-5-1

Voltage	24 VDC	60 VDC	110 VDC
Current	10 A	3 A	1 A

### Recommended minimum operational data

Gold-silver contacts:

Voltage	5 VDC	24 VDC	110 VDC
Current	15 mA	5 mA	2 mA

Hardsilver contacts:

Voltage	24 VDC	110 VDC
Current	50 mA	10 mA

### Protection class

Indicators and switches, fit for mounting into devices with protection class II

### Environmental conditions

#### Storage temperature

-40 °C ... +85 °C

#### Operating temperature

-40 °C ... +55 °C

(other temperatures on request)

#### Protection degree

IP 00

#### Shock resistance

(single impacts, semi-sinusoidal)

300 m/s<sup>2</sup> puls width 11 ms, as per EN IEC 60068-2-27

#### Vibration resistance

(sinusoidal)

100 m/s<sup>2</sup> at 10 Hz ... 500 Hz, amplitude 0.75 mm, as per EN IEC 60068-2-6

### Approvals

#### Approbations

CB (IEC 60947)

CCC

CSA

Germanischer Lloyd

EAC

NFF 16-102

UL

#### Declaration of conformity

CE

## Slow-make switching element PIT

### Switching system

The double-break, slow-make switching element is equipped with one or two independent contact systems, acting as normally open or normally closed contact. The normally closed contact has forced opening.

Slow-make contacts with forced action are ideal for high switch ratings.

Up to three switching elements can be snapped to each actuator. For the emergency-stop pushbutton use the slow-make switching element (max. 3).

### Material

#### Material of contact

Hardsilver and gold-silver

#### Switch housing

Polycarbonate (PC)

### Mechanical characteristics

#### Terminals

PIT push-in terminal

Skinning 8 mm

Wire cross-section:

Wire 0.2 to 1.0 mm<sup>2</sup>

Stranded wire 0.2 to 1.0 mm<sup>2</sup> without core and sleeve

Stranded wire 0.2 to 0.75 mm<sup>2</sup> with core and sleeve

#### Tightening torque

Screws at the mounting flange max. 25 Ncm

#### Actuating force

1 Normally closed 2 N

1 Normally open 3.1 N

#### Actuating travel

5.8 mm ± 0.2 mm

#### Rebound time

≤ 1 ms

# 04 Technical data

## Mechanical lifetime

(with 1 switching element)

Pushbutton maintained action	1.5 million Cycles of operation
Pushbutton momentary action	3 million Cycles of operation
Selector switch maintained action	1.25 million Cycles of operation
Selector switch momentary action	2.5 million Cycles of operation
Emergency-stop switch	50 000 Cycles of operation
Keylock switch maintained action	25 000 Cycles of operation
Keylock switch momentary action	50 000 Cycles of operation

## Electrical characteristics

### Standards

The switches comply with EN IEC 60947-1/EN IEC 60947-5-1

### Rated Insulation Voltage $U_i$

500 VAC/600 VDC, as per EN IEC 60947-5-1

### Contact resistance

New state  $\leq 50 \text{ m}\Omega$  as per DIN IEC 60512-2-4

### Isolation resistance

$\geq 10 \text{ M}\Omega$  between open contacts at 500 VDC, as per DIN IEC 60512-3-1

### Electrical life

6050 cycles of operations

### Conventional free air thermal current $I_{th}$

6 A, as per EN IEC 60947-5-1

the maximum current in continuous operation and at ambient temperature must not exceed the quoted maximum values.

### Switch rating

At switch rating AC for gold-silver and hardsilver contacts, service category AC-15, as per EN IEC 60947-5-1 ( $\cos\phi 0.3$ )

Voltage 250 VAC

Current 6 A

At switch rating DC for gold-silver and hardsilver contacts, service category DC-13, as per EN IEC 60947-5-1

Voltage 24 VDC 110 VDC

Current 6 A 1.0 A

## Recommended minimum operational data

Gold-silver contacts:

Voltage 24 VDC

Current 5 mA

Hardsilver contacts:

Voltage 24 VDC

Current 50 mA

## Protection class

Indicators and switches, fit for mounting into devices with protection class II

## Environmental conditions

### Storage temperature

-40 °C ... +85 °C

### Operating temperature

-40 °C ... +55 °C

(other temperatures on request)

### Protection degree

IP 20

### Shock resistance

(single impacts, semi-sinusoidal)

300 m/s<sup>2</sup> puls width 11 ms, as per EN IEC 60068-2-27

## Approvals

### Approbations

CB (IEC 60947)

CCC

CSA

Germanischer Lloyd

EAC

NFF 16-102

UL

### Declaration of conformity

CE

## Snap-action switching element PIT

### Switching system

The double-break, snap-action switching element is equipped with one or two independent contact systems, acting as normally open or normally closed contact. The snap-action switching element is fitted with self-cleaning contacts.

Up to three switching elements can be snapped to each actuator. Snap-action switching elements are not permissible for emergency-stop pushbuttons!

### Material

#### Material of contact

Hardsilver and gold-silver

#### Switch housing

Polycarbonate (PC)

## Mechanical characteristics

### Terminals

PIT push-in terminal  
 Skinning 8mm  
 Wire cross-section:  
 Wire 0.2 to 1.0mm<sup>2</sup>  
 Stranded wire 0.2 to 1.0mm<sup>2</sup> without core and sleeve  
 Stranded wire 0.2 to 0.75mm<sup>2</sup> with core and sleeve

### Tightening torque

Screws at the mounting flange max. 25Ncm

### Actuating force

1 Normally closed 1.9N  
 1 Normally open 2N

### Actuating travel

5.8mm ± 0.2mm

### Rebound time

≤ 3ms

### Mechanical lifetime

(with 1 switching element)  
 Pushbutton maintained action 1.5 million Cycles of operation  
 Pushbutton momentary action 3 million Cycles of operation  
 Selector switch maintained action 1.25 million Cycles of operation  
 Selector switch momentary action 2.5 million Cycles of operation  
 Keylock switch maintained action 25 000 Cycles of operation  
 Keylock switch momentary action 50 000 Cycles of operation

## Electrical characteristics

### Standards

The switches comply with EN IEC 60947-1/EN IEC 60947-5-1

### Rated Insulation Voltage U<sub>i</sub>

500VAC/600VDC, as per EN IEC 60947-5-1

### Contact resistance

New state ≤ 50mΩ as per DIN IEC 60512-2-4

### Isolation resistance

≥ 10MΩ between open contacts at 500 VDC, as per  
 DIN IEC 60512-3-1

### Electrical life

50 000 cycles of operations

### Conventional free air thermal current I<sub>th</sub>

6A, as per EN IEC 60947-5-1  
 the maximum current in continuous operation and at ambient  
 temperature must not exceed the quoted maximum values.

### Switch rating

At switch rating AC for gold-silver and hardsilver contacts,  
 service category AC-15, as per EN IEC 60947-5-1 (cosφ 0.3)

Voltage 250VAC  
 Current 6A

At switch rating DC for gold-silver and hardsilver contacts,  
 service category DC-13, as per EN IEC 60947-5-1

Voltage 24VDC 110VDC  
 Current 6A 1.0A

### Recommended minimum operational data

Gold-silver contacts:  
 Voltage 24VDC  
 Current 5mA

Hardsilver contacts:  
 Voltage 24VDC  
 Current 50mA

### Protection class

Indicators and switches, fit for mounting into devices with protec-  
 tion class II

## Environmental conditions

### Storage temperature

-40°C ... +85°C

### Operating temperature

-40°C ... +55°C  
 (other temperatures on request)

### Protection degree

IP 20

### Shock resistance

(single impacts, semi-sinusoidal)  
 300m/s<sup>2</sup> puls width 11 ms, as per EN IEC 60068-2-27

### Vibration resistance

(sinusoidal)  
 100m/s<sup>2</sup> at 10Hz ... 500Hz, as per EN IEC 60068-2-6 and  
 EN 61373 Increased broad band noise, class 1B

## Approvals

### Approbations

CB (IEC 60947)  
 CCC  
 CSA  
 Germanischer Lloyd  
 EAC  
 NFF 16-102  
 UL

### Declaration of conformity

CE

# 04 Technical data

## Lamp block

### Material

#### Housing

Polycarbonate (PC)

### Mechanical characteristics

#### Terminals

Screw terminals

Plug-in terminals 6.3 x 0.8mm

max. wire cross-section 2 x 2.5mm<sup>2</sup>

max. wire cross-section of stranded cable 2 x 1.5mm<sup>2</sup>

For switches with plug-in terminals it is necessary to provide insulation sleeves and to maintain a spacing of 65mm between rows (mounting cut-outs)

#### Tightening torque

Screws at lamp block max. 0.5Nm

### Electrical characteristics

#### Standards

The switches comply with EN IEC 60947-1/EN IEC 60947-5-1

#### Illumination

Voltage 250V max.

Power 2.6W max.

BA9s standard adaptable.

### Environmental conditions

#### Storage temperature

-40 °C ... +85 °C

#### Operating temperature

-40 °C ... +55 °C

(other temperatures on request)

#### Protection degree

IP 00

#### Shock resistance

(single impacts, semi-sinusoidal)

300m/s<sup>2</sup> puls width 11 ms, as per EN IEC 60068-2-27

#### Vibration resistance

(sinusoidal)

100m/s<sup>2</sup> at 10Hz ... 500Hz, as per EN IEC 60068-2-6 and

EN 61373 Increased broad band noise, class 1B

## Lamp block PIT

### Material

#### Housing

Polycarbonate (PC)

### Mechanical characteristics

#### Terminals

PIT push-in terminal

Skinning 8mm

Wire cross-section:

Wire 0.2 to 1.0mm<sup>2</sup>

Stranded wire 0.2 to 1.0mm<sup>2</sup> without core and sleeve

Stranded wire 0.2 to 0.75mm<sup>2</sup> with core and sleeve

### Electrical characteristics

#### Standards

The switches comply with EN IEC 60947-1/EN IEC 60947-5-1

#### Illumination

Voltage 250V max.

Power 2.6W max.

BA9s standard adaptable.

### Environmental conditions

#### Storage temperature

-40 °C ... +85 °C

#### Operating temperature

-40 °C ... +55 °C

(other temperatures on request)

#### Protection degree

IP 20

#### Shock resistance

(single impacts, semi-sinusoidal)

300m/s<sup>2</sup> puls width 11 ms, as per EN IEC 60068-2-27

#### Vibration resistance

(sinusoidal)

100m/s<sup>2</sup> at 10Hz ... 500Hz, as per EN IEC 60068-2-6 and

EN 61373 Increased broad band noise, class 1B

**Dual lamp block**
**Material**
**Housing**

Plastic

**Mechanical characteristics**
**Terminals**

- PIT push-in-terminal
- Strip length L = 8 mm

**Wire cross section**

Max. wire cross section 0.2 to 1.0 mm<sup>2</sup>

Max. wire cross section of stranded cable 0.2 to 0.75 mm<sup>2</sup> with bootlace ferrules

**Electrical characteristics**
**Lighting**

Illuminant = 2 SMD-LEDs white

**Operating voltages**

24 VDC (-30 % / +25 %)

110 VDC (-30 % / +25 %)

**Operating current**

typ. 8 mA

**Environmental conditions**
**Storage temperature**

-40 °C ... +85 °C

**Operating temperature**

-25 °C ... +60 °C

**Degree of protection**

IP20

**Resistance to shock**

500 m/s<sup>2</sup>, pulse duration 11 ms, according to EN IEC 60068-2-27 (semi-sinusoidal)

**Broadband noise**

5.72 m/s<sup>2</sup> per axis, 5 h (duration), class 1B according to DIN EN 61373

**Approvals**
**Approbations**

UL-94 V0

EN 45545

**Buzzer**
**Buzzer system**
**System**

Piezo disc

**Material**
**Buzzer case**

Polyamide

**Front cap**

Plastic Polyamide

Metal Nickel-plated brass (sea-water proof)

**Mechanical characteristics**
**Terminals**

Plug-in terminal 2.8 x 0.5 mm

**Tightening torque**

for fixing nut max. 0.25 Nm

**Electrical characteristics**
**Frequency (tone)**

approx. 2.8 kHz continuous tone only

**Sound pressure**

95 db (A) ±8 dB at a distance of 0.1 m

**Operation Voltage/Current**

Operation Voltage 24 VDC ±10 %

Operation Current ≤ 25 mA

**Environmental conditions**
**Storage temperature**

-40 °C ... +85 °C

**Operating temperature**

-40 °C ... +55 °C

(other temperatures on request)

**Protection degree**

as per EN IEC 60529, frontside

IP 40, devices flush design

IP 65, devices raised design

**Approvals**
**Declaration of conformity**

CE

# 04 Technical data

## Actuator

### Material

#### Front ring

Polyamide, Aluminium or Stainless steel

#### Mounting flange

Polyethylene terephthalate

#### Actuator housing

Polycarbonate, Polyamide

### Mechanical characteristics

#### Actuating force

Mounting style square flush 6.2N  
other mounting styles 8N

#### Actuating travel

5.8mm ± 0.2mm

#### Mechanical lifetime

(with 1 switching element)

Pushbutton	≤ 3 million Cycles of operation
Selector switch	≤ 2.5 million Cycles of operation
Stop switch	≤ 50 000 Cycles of operation
Fool proofed E-stop	≥ 50 000 Cycles of operation
Keylock switch	≤ 50 000 Cycles of operation
Key insert switches	≤ 250 000 Cycles of operation

### Keylock switch

The standard lock number is 251, the last digit of the device Part No. = 0 (example: 704.335.0).

Additional lock numbers are available:

252 last digit = 1; 253 last digit = 2; 254 last digit = 3  
255 last digit = 4; 256 last digit = 5; 257 last digit = 6  
258 last digit = 7; 259 last digit = 8; 260 last digit = 9

### Electrical characteristics

#### Standards

The switches comply with the "Rules for low-voltage switching devices" EN IEC 60947-5-1

### Environmental conditions

#### Storage temperature

-40 °C ... +85 °C

#### Operating temperature

-40 °C ... +55 °C  
(other temperatures on request)

#### Protection degree

As per EN IEC 60529  
frontside IP 65 (IP 67 Key insert switch)

## Rotary selector switching element

### Mechanical characteristics

#### Terminals

Screw terminals  
Terminal lead material copper wires only  
max. permissible wire gage:  
Single-core or stranded wire 2 x 1.5mm<sup>2</sup> (2 x AWG 14)  
flexible wire 2 x 1.5mm<sup>2</sup> (2 x AWG 16)

#### Tightening torque

for fixing nut max. 0.25Nm

#### Number of stages

1 to 8 positions max.

#### Number of contacts

1 to 16 max. normally open contacts  
(contact positioning according circuit drawing)

#### Switching angle

Basic position of switching position "A" is 9 o'clock

Maintained action	Switching angle
12 max.	30°
8 max.	45°
6 max.	60°
4 max.	90°

Momentary action with release 24°  
(provide at the beginning or at the end)

### Standard type of Kraus & Naimer

CG4 Hard Silver contacts with 1 µm Gold layer  
CG4-1 Hard Silver contacts with 35 µm Gold layer

### Electrical characteristics

#### Minimum Voltage

20V

#### Rated Impulse Withstand Voltage $U_{imp}$

4kV

#### Short Circuit Protection

Max. fuse size (gL-characteristic) 10A  
Rated short-time withstand current (1s-current) 90A

### Electrical characteristics for AC

#### Standards

The devices comply with: EN IEC 60947-3, VDE 0660 part 107

#### Rated Operational Voltage $U_e$

440V

#### Rated Insulation Voltage $U_i$

440V

#### Rated Thermal Current $I_u / I_{th}$

10A



**Rated Operational Current  $I_n$** 

AC-15 Switching of control devices, contactors, valves etc.

110V–120V	2.5A
220V–240V	2.5A
380V–440V	1.5A

 No load operation  
10A

 AC-21A Switching of resistive loads, including moderate overloads  
For switchin of power > 1kW  
10A

 AC-22A Switching of combined resistive or low inductive loads  
including moderate overloads  
220V–240V 10A

**Rated Utilization Category**

 AC-2 Slip ring motor starting, reversing and plugging, star-delta  
starting 3 phase, 3 pole

220V–240V	2.5kW
380V–440V	4.5kW

AC-3 Direct-on-line starting, star-delta starting

3 phase, 3 pole	220V–240V	2.50kW
	380V–440V	2.20kW
1 phase, 2 pole	110V–120V	0.30kW
	220V–240V	0.55kW
	380V–440V	0.75kW

AC-Direct-on-line starting, reversing, plugging and inching

3 phase, 3 pole	220V–240V	0.37kW
	380V–440V	0.55kW
1 phase, 2 pole	110V–120V	0.15kW
	220V–240V	0.25kW
	380V–440V	0.50kW

 AC-23A Frequent switching of motors or other high inductive  
loads

3 phase, 3 pole	220V–240V	1.80kW
	380V–440V	3.00kW
1 phase, 2 pole	110V–120V	0.37kW
	220V–240V	0.75kW
	380V–440V	1.10kW

**Overvoltage category**

III, valid for lines with grounded common neutral termination

**Degree of pollution**

3, valid for lines with grounded common neutral termination

**Electrical characteristics for AC (UL/Canada)**
**Rated operational voltage**

300V

**Rated Insulation Voltage  $U_i$** 

300V

**Rated Thermal Current**

10A

**Ampere Rating**

Resistive or low inductive loads, for switching of power &gt; 1kW, 10A

**Ratings**

Standard motor load, DOL Rating (similar AC-3)

3 phase, 3 pole	110V–120V	0.75HP
	220V–240V	1.00HP
1 phase, 2 pole	110V–120V	0.33HP
	220V–240V	0.75HP
	277V–277V	0.75HP

**Pilot Duty, Heavy**

300VAC

**Electrical characteristics for DC**
**Switch Rating DC**

 Resistive loads  $T \leq 1$  ms

Number of series contact(s)								Switch Capacity
1	2	3	4	5	6	8		
24V	48V	70V	95V	120V	145V	190V	10.0A	
48V	95V	140V	190V	240V	290V	350V	6.0A	
60V	120V	180V	240V	300V	360V	450V	2.5A	
110V	220V	330V	440V	550V	660V		0.7A	
220V	440V	660V					0.3A	
440V	660V						0.2A	

 Inductive loads  $T = 50$  ms

Number of series contact(s)								Switch Capacity
1	2	3	4	5	6	8		
24V	48V	70V	95V	120V	145V	190V	6.0A	
30V	60V	90V	120V	150V	180V	240V	3.0A	
48V	95V	140V	190V	240V	290V	350V	1.0A	
60V	120V	180V	240V	300V	360V	450V	0.7A	
110V	220V	330V	440V	550V	660V		0.3A	

**Environment conditions**
**Operating temperature**

Ambient Temperatures of Stages

 open at 100%  $I_u / I_{tn}$  55°C during 24h with peaks up to 60°C  
 enclosed at 100%  $I_{ne}$  35°C during 24h with peaks up to 40°C

# 04 Technical data

## Flasher

### Material

#### Housing

Polycarbonat (PC), nach UL 94 V0

### Mechanical characteristics

#### Terminals

Screw terminal

### Electrical characteristics

#### Flasher frequency

1.5 Hz

#### Relative duty factor

ca. 50%

### Environment conditions

#### Operating temperature

0° ... +50 °C

#### Protection degree

Rear side IP30

*EAO reserves the right to alter specifications without further notice.*

## General notes

### 1. Engraving

In addition to the most commonly used world languages, in DIN1451-3 close spacing, other typefaces are available as Scandinavian, Slavic, Greek, Russian and Polish. The engraved marking caps and plates are filled with black or white colour. Standard height of letters is 3 mm. If the height is not specified, we will supply 3 mm engraved letters.

### 2. Hot stamping

Standard legends and ISO symbols are hot stamped. For larger series it is worth considering markings by means of hot stamping. We will be pleased to advise you.

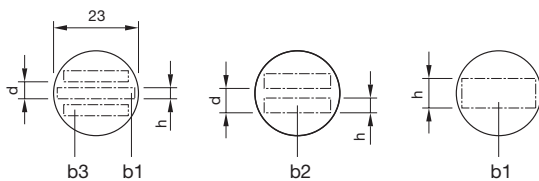
### 3. Film inserts

Instead of using engraving the square lenses can be fitted with film inserts, as an alternative. Film thickness is 0.25 mm. Max. film size: for Indicator 24.5 x 24.5 mm, for illuminated Pushbutton 21.5 x 21.5 mm.

## Engraving marking cap for Indicator round, full face illumination

All dimensions in mm

Height of letters <b>h</b>	Number of lines	Number of letters per line (target value)			Line spacing <b>d</b>
		<b>b1</b>	<b>b2</b>	<b>b3</b>	
3	3	11	10	9	4.6
4	2	8	7	–	6.6
8	1	4	–	–	–

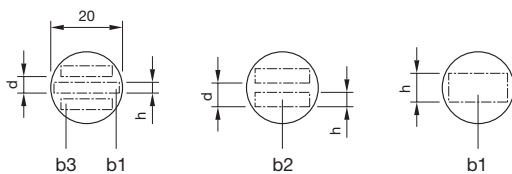


The gap between two words results in each case a letter less.

## Engraving marking cap for Indicator and illuminated Pushbutton round, front illumination

All dimensions in mm

Height of letters <b>h</b>	Number of lines	Number of letters per line (target value)			Line spacing <b>d</b>
		<b>b1</b>	<b>b2</b>	<b>b3</b>	
3	3	9	9	7	4.6
4	2	7	6	–	6.6
8	1	3	–	–	–



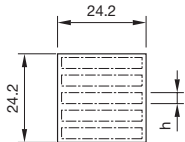
The gap between two words results in each case a letter less.

# 04 Marking

## Engraving diffusor cap for Indicator square, full face illumination

All dimensions in mm

Height of letters h	Number of lines	Number of capital letters per line(target value)	Number of small letters per line (target value)
2.5	6	13	14
3.0	5	11	12
4.0	4	8	8-9
5.0	3	6-7	7
6.0	2	5-6	6
8.0	1	4	4-5

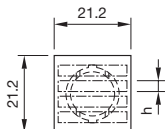


The gap between two words results in each case a letter less.

## Engraving lens holder for Indicator and Illuminate Pushbutton square, front illumination

All dimensions in mm

Height of letters h	Number of lines	Number of capital letters per line(target value)	Number of small letters per line (target value)
2.5	5	9	9-10
3.0	4	7-8	8
4.0	3	5-6	6
5.0	2	4-5	4-5
6.0	2	3-4	4
8.0	1	2-3	3



The gap between two words results in each case a letter less.

**Important: Consider lens holder mounting orientation before specifying engraving characters!**

## Engraving legend plates

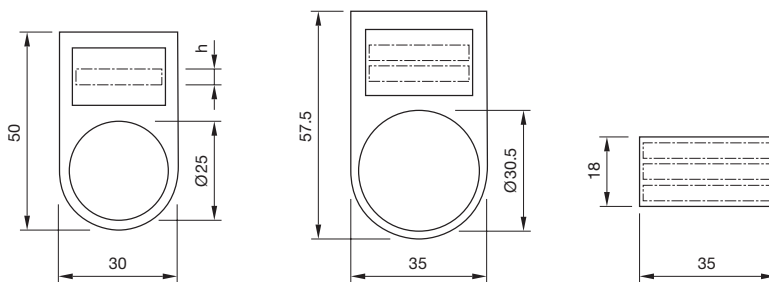
All dimensions in mm

Dimension	Devices mounting style	Height of letters h	Number of lines	Number of letters per line (target value)	Image
30 x 50	round, raised	3	2	12	B1
		4	1	7	B1
		8	1	4	B1
35 x 57.5	round, flush	3	2	12	B2
		4	1	7	B2
		8	1	4	B2
18 x 35	square, flush	3	3	16	B3
		4	2	10	B3

B1

B2

B3



The gap between two words results in each case a letter less.

## Standard texts for marking plates and marking caps for Indicator and Illuminated Pushbutton

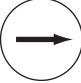












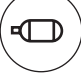



















Height of letters 6 mm

Part No. 704.609.912001	Part No. 704.609.912002	Part No. 704.609.912003	Part No. 704.609.912004
Part No. 704.609.912005	Part No. 704.609.912006	Part No. 704.609.912007	Part No. 704.609.912008
Part No. 704.609.912009	Part No. 704.609.912010	Part No. 704.609.912011	Part No. 704.609.912012
Part No. 704.609.912013	Part No. 704.609.912014	Part No. 704.609.912015	Part No. 704.609.912016
Part No. 704.609.912017	Part No. 704.609.912018		

# 04 Marking

## Symbols for marking plates and marking caps for Indicator and Illuminated Pushbutton

All marking plates with the printed article-numbers are available for flat lenses, marking cap only on request.

 <b>Part No. 704.609.910001</b> Direction of linear rectilinear motion (also for → ↓↑)	 <b>Part No. 704.609.910002</b> Linear motion in 2 directions (also for ↓)	 <b>Part No. 704.609.910004</b> Limited linear motion (also for ←↑↓)	 <b>Part No. 704.609.910007</b> Direction of continuous rotation (right)
 <b>Part No. 704.609.9100071</b> Direction of continuous rotation (left)	 <b>Part No. 704.609.910008</b> Rotation in 2 directions	 <b>Part No. 704.609.910009</b> Direction of interrupted rotation (right)	 <b>Part No. 704.609.910010</b> Limited rotation (right)
 <b>Part No. 704.609.9100101</b> Limited rotation (left)	 <b>Part No. 704.609.910013</b> Direction of spindle rotation	 <b>Part No. 704.609.910026</b> Rapid traverse	 <b>Part No. 704.609.910028</b> Increase of value (speed, for instance)
 <b>Part No. 704.609.910029</b> Decrease of value (speed, for instance)	 <b>Part No. 704.609.910041</b> Electric motor	 <b>Part No. 704.609.910048</b> Pump (general symbol)	 <b>Part No. 704.609.9100631</b> Lock or tighten
 <b>Part No. 704.609.9100632</b> Lock or tighten	 <b>Part No. 704.609.9100641</b> Unlock, unclamp	 <b>Part No. 704.609.9100642</b> Unlock, unclamp	 <b>Part No. 704.609.910065</b> Brake on
 <b>Part No. 704.609.910066</b> Brake off	 <b>Part No. 704.609.910067</b> Automatic (or semi-automatic) cycle	 <b>Part No. 704.609.910068</b> Hand control	 <b>Part No. 704.609.910069</b> Start, on
 <b>Part No. 704.609.910070</b> Stop, off	 <b>Part No. 704.609.910071</b> Start and stop with same button	 <b>Part No. 704.609.910072</b> In action as long as button is operated	 <b>Part No. 704.609.910074</b> Engaging (mechanical start)
 <b>Part No. 704.609.910075</b> Disengaging (mechanical stop)	 <b>Part No. 704.609.910092</b> Danger (high voltage)!	 <b>Part No. 704.609.910093</b> Caution!	 <b>Part No. 704.609.910101</b> Coolant fluid
 <b>Part No. 704.609.910102</b> Machine lighting	 <b>Part No. 704.609.910108</b> Blast		

## Terminal Markings

We supply the switch elements with terminal marking labels inserted, the figures always being visible for the first element (immediately following the actuator). Therefore, when two switch elements are used, these inserts have to be turned for the second element.

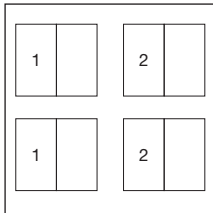
Then the numbers appear as described under III.

If more than two switch elements are used, this should be noted on your order, in order that we may insert and deliver the marking labels accordingly.

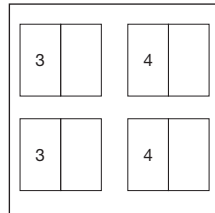
### I. Consecutive numbering of switch systems

(2 per switch element)

First switch element



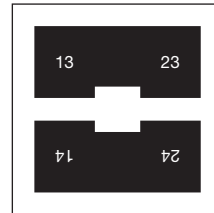
Second switch element



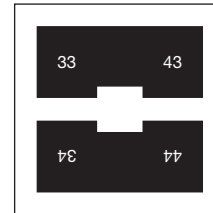
When more than 2 switch elements are used, the numbering is sequenced accordingly (5, 6 etc.).

### III. Example of the correct insertion of the labels for 2 switch elements with normally open contacts

First switch element



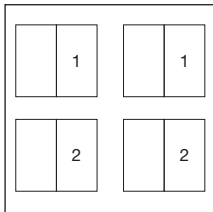
Second switch element



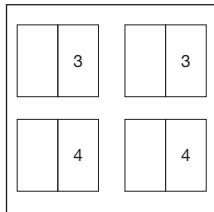
Labels for normally closed and normally closed/normally open contacts should be inserted accordingly.

### II. Marking of normally closed contact, normally open contact and their combinations

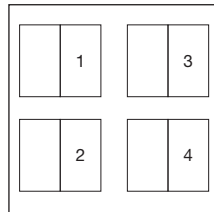
Normally closed (1–2)



Normally open (3–4)



Normally closed/open



# 04 Application guidelines

## Suppressor circuits

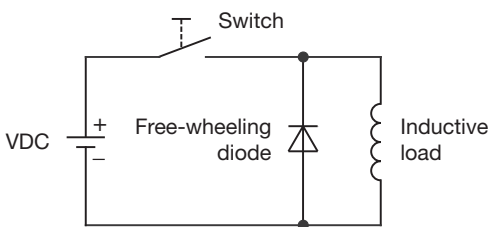
When switching inductive loads such as relays, DC motors, and DC solenoids, it is always important to absorb surges (e.g. with a diode) to protect the contacts. When these inductive loads are switched off, a counter emf can severely damage switch contacts and greatly shorten lifetime.

Fig. 1 shows an inductive load with a free-wheeling diode connected in parallel. This free-wheeling diode provides a path for the inductor current to flow when the current is interrupted by the switch. Without this free-wheeling diode, the voltage across the coil will be limited only by dielectric breakdown voltages of the circuit or parasitic elements of the coil. This voltage can be kilovolts in amplitude even when nominal circuit voltages are low (e.g. 12VDC) see Fig. 2.

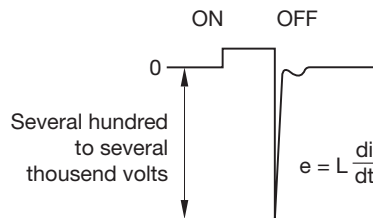
The free-wheeling diode should be chosen so that the reverse breakdown voltage is greater than the voltage driving the inductive load. The DC blocking voltage (VR) of the free-wheeling diode can be found in the datasheet of a diode. The forward current should be equal or greater than the maximum current flowing through the load.

**To get an efficient protection, the free-wheeling diode must be connected as close as possible to the inductive load!**

Switching with inductive load  
Fig. 1



Counter EMF  
over load without free-wheeling diode  
Fig. 2





## Index from Part No.

Part No.	Page	Part No.	Page	Part No.	Page	Part No.	Page	Part No.	Page	Part No.	Page
02-912.1	158	61-9481.6	166	704.011.2	76	704.040.5	76	704.075.318	21	704.103.0x28	51
02-912.2	158	700.005.0	166	704.011.218	14	704.040.6	76	704.076.0	86	704.113.0	93
02-912.3	158	700.006.0	165	704.011.4	76	704.040.7	76	704.078.0	86	704.113.018	26
02-912.4	158	704.000.2	59	704.011.418	14	704.041.0	76	704.079.2	88	704.114.0	93
10-1409.1329	155	704.000.2	67	704.011.5	76	704.041.2	76	704.084.2	89	704.114.018	26
10-1412.1279	155	704.000.4	59	704.011.518	14	704.041.5	76	704.084.4	89	704.115.0	93
10-1416.1289	155	704.000.4	67	704.011.6	76	704.041.6	76	704.084.5	89	704.115.018	26
10-1420.1219	155	704.000.5	59	704.011.618	14	704.041.8	76	704.084.6	89	704.116.0	93
10-1422.1179	155	704.000.5	67	704.011.8	76	704.042.0	77	704.084.7	89	704.116.018	26
10-1424.1179	155	704.000.6	59	704.011.818	14	704.042.018	14	704.086.2	89	704.117.0	93
10-2412.1089P	154	704.000.6	67	704.012.0	76	704.042.2	77	704.086.4	89	704.117.018	26
10-2506.1082	150	704.000.7	59	704.012.018	14	704.042.218	14	704.086.5	89	704.118.0	93
10-2506.1084	150	704.000.7	67	704.012.2	76	704.042.4	77	704.092.0	113	704.118.018	26
10-2506.1085	150	704.001.2	59	704.012.218	14	704.042.418	14	704.092.0I	111	704.120.0	91
10-2506.1086	151	704.001.2	67	704.012.4	76	704.042.5	77	704.093.018I	113	704.120.018	24
10-2506.1089	151	704.001.4	59	704.012.418	14	704.042.518	14	704.093.010	45	704.121.0	91
10-2509.1142	150	704.001.4	67	704.012.5	76	704.042.6	77	704.093.010I	43	704.121.018	24
10-2509.1144	150	704.001.5	59	704.012.518	14	704.042.618	14	704.093.018	45	704.122.0	91
10-2509.1145	150	704.001.5	67	704.012.6	76	704.042.7	77	704.093.018I	43	704.122.018	24
10-2509.1146	151	704.001.6	59	704.012.618	14	704.042.718	14	704.093.0I	111	704.123.0	91
10-2509.1149	151	704.001.6	67	704.012.7	76	704.043.0	77	704.093.0x28	52	704.123.018	24
10-2512.1142	150	704.001.7	59	704.012.718	14	704.043.2	77	704.094.0	113	704.123.018KN	50
10-2512.1144	150	704.001.7	67	704.013.0	77	704.043.7	77	704.094.0I	111	704.123.118KN	50
10-2512.1145	150	704.002.2	63	704.013.2	77	704.059.2	81	704.095.0	113	704.124.0	93
10-2512.1146	151	704.002.2	71	704.013.4	77	704.059.4	81	704.095.010	45	704.124.018	26
10-2512.1149	151	704.002.4	63	704.013.5	77	704.059.5	81	704.095.010I	43	704.151.XXX	54
10-2513.1142	150	704.002.4	71	704.013.6	77	704.059.7	81	704.095.018	45	704.152.XXX	54
10-2513.1144	150	704.002.5	63	704.013.7	77	704.060.2	81	704.095.018I	43	704.153.XXX	54
10-2513.1145	150	704.002.5	71	704.020.2	56	704.060.4	81	704.095.0I	111	704.154.XXX	54
10-2513.1146	151	704.002.6	63	704.020.4	56	704.060.5	81	704.095.0T28	53	704.155.XXX	54
10-2513.1149	151	704.002.6	71	704.020.5	56	704.060.6	81	704.095.0x28	52	704.199.2	58
10-2519.1052	150	704.002.7	63	704.020.6	56	704.060.7	81	704.096.0	113	704.199.2	66
10-2519.1054	150	704.002.7	71	704.020.7	56	704.062.2	81	704.096.0I	111	704.199.4	58
10-2519.1055	150	704.003.2	63	704.021.2	56	704.062.218	18	704.097.0	113	704.199.4	66
10-2519.1056	151	704.003.2	71	704.021.4	56	704.062.4	81	704.097.010	45	704.199.5	58
10-2519.1059	151	704.003.4	63	704.021.5	56	704.062.418	18	704.097.010I	43	704.199.5	66
10-2524.3042	150	704.003.4	71	704.021.6	56	704.062.5	81	704.097.018	45	704.199.7	58
10-2524.3044	150	704.003.5	63	704.021.7	56	704.062.518	18	704.097.018I	43	704.199.7	66
10-2524.3045	150	704.003.5	71	704.022.2	56	704.062.6	81	704.097.0I	111	704.200.2	58
10-2524.3046	151	704.003.6	63	704.022.4	56	704.062.618	18	704.097.0x28	52	704.200.2	66
10-2524.3049	151	704.003.6	71	704.022.5	56	704.062.7	81	704.098.0	113	704.200.4	58
10-2H12.314A	151	704.003.7	63	704.022.6	56	704.062.718	18	704.098.0I	111	704.200.4	66
10-2H12.314B	151	704.003.7	71	704.022.7	56	704.063.2	82	704.099.0	113	704.200.5	58
10-2H12.314C	151	704.006.2	63	704.029.2	81	704.063.4	82	704.099.010	45	704.200.5	66
10-2H24.2052	150	704.006.2	71	704.029.4	81	704.063.5	82	704.099.010I	43	704.200.6	58
10-2H24.2054	150	704.006.218	5	704.029.5	81	704.063.6	82	704.099.018	45	704.200.6	66
10-2H24.2055	150	704.006.218	9	704.029.6	81	704.063.7	82	704.099.018I	43	704.200.7	58
10-2H24.2056	151	704.006.4	63	704.029.7	81	704.064.2	85	704.099.0I	111	704.200.7	66
10-2H24.2059	151	704.006.4	71	704.030.2	81	704.064.2A	85	704.099.0x28	52	704.202.2	62
10-2H25.2042	150	704.006.418	5	704.030.4	81	704.066.2	85	704.100.0	103	704.202.2	70
10-2H25.2044	150	704.006.418	9	704.030.5	81	704.066.2A	85	704.100.0.12	105	704.202.208	4
10-2H25.2045	150	704.006.5	63	704.030.6	81	704.070.0	87	704.100.0I	101	704.202.208	8
10-2H25.2046	151	704.006.5	71	704.030.7	81	704.070.2	87	704.101.0	103	704.202.4	62
10-2H25.2049	151	704.006.518	5	704.032.2	81	704.070.4	87	704.101.0.12	105	704.202.4	70
10-4H21.1032P	152	704.006.518	9	704.032.218	18	704.070.5	87	704.101.010	35	704.202.408	4
10-4H21.1034P	152	704.006.6	63	704.032.4	81	704.071.0	87	704.101.010.12	37	704.202.408	8
10-4H21.1035P	152	704.006.6	71	704.032.418	18	704.071.2	87	704.101.010I	33	704.202.5	62
10-4H21.1036P	152	704.006.618	5	704.032.5	81	704.071.210	22	704.101.018	35	704.202.5	70
10-4H21.1039P	152	704.006.618	9	704.032.518	18	704.071.218	22	704.101.018.12	37	704.202.508	4
10-4H22.1032P	152	704.006.7	63	704.032.6	81	704.071.4	87	704.101.018I	33	704.202.508	8
10-4H22.1034P	152	704.006.7	71	704.032.618	18	704.071.410	22	704.101.018KN	49	704.202.6	62
10-4H22.1035P	152	704.006.718	5	704.032.7	81	704.071.418	22	704.101.018KNI	48	704.202.6	70
10-4H22.1036P	152	704.006.718	9	704.032.718	18	704.071.5	87	704.101.0I	101	704.202.608	4
10-4H22.1039P	152	704.009.0	76	704.033.2	81	704.072.0	87	704.101.0KN	117	704.202.608	8
14-810.002	74	704.009.2	76	704.033.4	81	704.072.2	87	704.101.0x28	51	704.202.7	62
14-810.902	74	704.009.4	76	704.033.5	81	704.073.0	87	704.101.110KN	49	704.202.7	70
14-810.910	12	704.009.5	76	704.033.6	81	704.073.2	87	704.101.110KNI	48	704.202.708	4
14-810.918	12	704.009.6	76	704.033.7	81	704.073.4	87	704.101.118KN	49	704.202.708	8
44-744.20	55	704.009.7	76	704.039.0	76	704.073.5	87	704.101.118KNI	48	704.203.2	62
44-744.20	118	704.010.0	76	704.039.2	76	704.074.2	86	704.101.1KN	117	704.203.2	71
44-744.60	55	704.010.2	76	704.039.4	76	704.074.210	21	704.101.1KNI	116	704.203.4	62
44-744.60	118	704.010.4	76	704.039.5	76	704.074.3	86	704.102.0	103	704.203.4	71
44-745.20-10K1	55	704.010.5	76	704.039.6	76	704.075.2	86	704.102.0I	101	704.203.5	62
44-745.20-10K1	118	704.010.6	76	704.039.7	76	704.075.218	21	704.103.0	103	704.203.5	71
44-745.60-10K1	55	704.010.7	76	704.040.0	76	704.075.2I	88	704.103.018	35	704.203.6	62
44-745.60-10K1	118	704.011.0	76	704.040.2	76	704.075.3	86	704.103.018I	33	704.203.6	71
61-9481.6	162	704.011.018	14	704.040.4	76	704.075.310	21	704.103.0I	101	704.203.7	62

Part No.	Page	Part No.	Page	Part No.	Page	Part No.	Page	Part No.	Page	Part No.	Page
704.203.7.....	71	704.239.700.....	13	704.334.000.....	25	704.411.118KN.....	47	704.601.81.....	123	704.733.0.....	64
704.206.2.....	62	704.240.0.....	75	704.334.008.....	25	704.411.118KNI.....	46	704.601.9.....	122	704.733.0.....	72
704.206.2.....	70	704.240.2.....	75	704.335.0.....	92	704.411.1KN.....	115	704.601.91.....	123	704.733.1.....	64
704.206.200.....	4	704.240.208.....	14	704.335.000.....	25	704.411.1KNI.....	114	704.602.0.....	121	704.733.1.....	72
704.206.200.....	8	704.240.4.....	75	704.335.008.....	25	704.412.0.....	97	704.602.2.....	121	704.741.0.....	15
704.206.4.....	62	704.240.408.....	14	704.336.000.....	25	704.412.0I.....	95	704.602.4.....	121	704.741.0.....	19
704.206.4.....	70	704.240.5.....	75	704.336.008.....	25	704.413.0.....	97	704.602.5.....	121	704.741.8.....	15
704.206.400.....	4	704.240.508.....	14	704.337.0.....	92	704.413.010.....	30	704.602.6.....	121	704.741.8.....	19
704.206.400.....	8	704.240.7.....	75	704.337.000.....	25	704.413.010I.....	28	704.602.7.....	121	704.742.0.....	15
704.206.5.....	62	704.240.708.....	14	704.337.008.....	25	704.413.018.....	30	704.602.7A01.....	121	704.742.0.....	19
704.206.5.....	70	704.259.2.....	81	704.338.000.....	25	704.413.018I.....	28	704.603.2.....	123	704.742.8.....	15
704.206.500.....	4	704.259.200.....	17	704.338.008.....	25	704.413.0I.....	95	704.603.4.....	123	704.742.8.....	19
704.206.500.....	8	704.259.4.....	81	704.340.0.....	90	704.502.0.....	108	704.603.5.....	123	704.743.0.....	6
704.206.6.....	62	704.259.400.....	17	704.340.000.....	23	704.502.000.....	40	704.603.6.....	123	704.743.0.....	10
704.206.6.....	70	704.259.5.....	81	704.340.008.....	23	704.502.000I.....	38	704.603.7.....	123	704.743.0.....	6
704.206.600.....	4	704.259.500.....	17	704.341.0.....	90	704.502.008.....	40	704.608.7.....	126	704.743.8.....	10
704.206.600.....	8	704.259.6.....	81	704.341.000.....	23	704.502.008I.....	38	704.608.9.....	126	704.8A230.....	147
704.206.7.....	62	704.259.600.....	17	704.341.008.....	23	704.502.0I.....	106	704.609.0.....	125	704.8A231.....	147
704.206.7.....	70	704.259.7.....	81	704.342.0.....	90	704.502.0I.....	108	704.609.7.....	125	704.8A232.....	147
704.206.700.....	4	704.259.700.....	17	704.342.000.....	23	704.504.0.....	40	704.609.9.....	125	704.8A233.....	147
704.206.700.....	8	704.260.2.....	80	704.342.008.....	23	704.504.000.....	38	704.609.9A01.....	125	704.8A234.....	146
704.207.5.....	62	704.260.208.....	18	704.343.0.....	90	704.504.008.....	40	704.610.7.....	125	704.8A235.....	146
704.207.5.....	71	704.260.4.....	80	704.343.000.....	23	704.504.008I.....	38	704.610.9.....	125	704.8A236.....	145
704.207.6.....	62	704.260.408.....	18	704.343.008.....	23	704.504.0I.....	106	704.611.2.....	122	704.8A237.....	145
704.207.6.....	71	704.260.5.....	80	704.344.0.....	92	704.506.0.....	108	704.611.4.....	122	704.8A238.....	145
704.209.0.....	75	704.260.508.....	18	704.344.000.....	25	704.506.000.....	40	704.611.5.....	122	704.8A239.....	145
704.209.000.....	13	704.260.6.....	80	704.344.008.....	25	704.506.000I.....	38	704.611.7.....	122	704.8A250.....	147
704.209.2.....	75	704.260.608.....	18	704.402.0.....	109	704.506.008.....	40	704.630.1.....	61	704.8A251.....	147
704.209.200.....	13	704.260.7.....	80	704.402.0I.....	107	704.506.008I.....	38	704.630.1.....	69	704.8A252.....	147
704.209.4.....	75	704.260.708.....	18	704.403.0.....	109	704.506.0I.....	106	704.631.1.....	20	704.8A253.....	147
704.209.400.....	13	704.292.0.....	112	704.403.010.....	41	704.508.0.....	108	704.631.1.....	16	704.8A254.....	146
704.209.5.....	75	704.292.000.....	44	704.403.010I.....	39	704.508.000.....	40	704.631.1.....	79	704.8A255.....	146
704.209.500.....	13	704.292.000I.....	42	704.403.018.....	41	704.508.000I.....	38	704.631.1.....	84	704.8A270.....	147
704.209.6.....	75	704.292.008.....	44	704.403.018I.....	39	704.508.008.....	40	704.632.1.....	20	704.8A271.....	147
704.209.600.....	13	704.292.008I.....	42	704.403.0I.....	107	704.508.008I.....	38	704.632.1.....	16	704.8A272.....	147
704.209.7.....	75	704.292.0I.....	110	704.404.0.....	109	704.508.0I.....	106	704.632.1.....	79	704.8A639.....	145
704.209.700.....	13	704.294.0.....	112	704.404.0I.....	107	704.510.0.....	96	704.632.1.....	84	704.8A730.....	147
704.210.0.....	75	704.294.000.....	44	704.405.0.....	109	704.510.0.12.....	98	704.633.1.....	7	704.8A731.....	147
704.210.008.....	13	704.294.000I.....	42	704.405.010.....	41	704.510.000.....	29	704.633.1.....	11	704.900.1.....	140
704.210.2.....	75	704.294.008.....	44	704.405.010I.....	39	704.510.000.12.....	31	704.633.1.....	65	704.900.1B.....	141
704.210.208.....	13	704.294.008I.....	42	704.405.018.....	41	704.510.000I.....	27	704.633.1.....	73	704.900.2.....	140
704.210.4.....	75	704.294.0I.....	110	704.405.018I.....	39	704.510.008.....	29	704.642.0.....	57	704.900.2B.....	141
704.210.408.....	13	704.296.0.....	112	704.405.0I.....	107	704.510.008.12.....	31	704.642.1.....	57	704.900.3.....	140
704.210.5.....	75	704.296.000.....	44	704.406.0.....	109	704.510.008I.....	27	704.642.2.....	57	704.900.3B.....	141
704.210.508.....	13	704.296.000I.....	42	704.406.0I.....	107	704.510.0I.....	94	704.701.0.....	127	704.900.4.....	140
704.210.6.....	75	704.296.008.....	44	704.407.0.....	109	704.510.100KN.....	47	704.701.4.....	127	704.900.4B.....	141
704.210.608.....	13	704.296.008I.....	42	704.407.010.....	41	704.510.108KN.....	47	704.701.6.....	127	704.900.5.....	140
704.210.7.....	75	704.296.0I.....	110	704.407.010I.....	39	704.510.1KN.....	115	704.702.0.....	121	704.900.5B.....	141
704.210.708.....	13	704.298.0.....	112	704.407.018.....	41	704.510.1KNI.....	114	704.702.2.....	121	704.901.1.....	140
704.229.2.....	80	704.298.000.....	44	704.407.018I.....	39	704.512.0.....	96	704.702.4.....	121	704.901.1/D.....	139
704.229.200.....	17	704.298.000I.....	42	704.407.0I.....	107	704.512.000.....	29	704.702.5.....	121	704.901.2.....	140
704.229.4.....	80	704.298.008.....	44	704.408.0.....	109	704.512.000I.....	27	704.702.6.....	121	704.901.2/D.....	139
704.229.400.....	17	704.298.008I.....	42	704.408.0I.....	107	704.512.008.....	29	704.702.7.....	121	704.901.3.....	140
704.229.5.....	80	704.298.0I.....	110	704.409.0.....	109	704.512.008I.....	27	704.702.9.....	121	704.901.3/D.....	139
704.229.500.....	17	704.300.0.....	102	704.409.010.....	41	704.512.0I.....	94	704.703.2.....	124	704.901.4.....	140
704.229.6.....	80	704.300.0.12.....	104	704.409.010I.....	39	704.600.0.....	128	704.703.4.....	124	704.901.4/D.....	139
704.229.600.....	17	704.300.000.....	34	704.409.018.....	41	704.600.1.....	128	704.703.5.....	124	704.901.5.....	140
704.229.7.....	80	704.300.000.12.....	36	704.409.018I.....	39	704.600.1A.....	128	704.703.6.....	124	704.901.5/D.....	139
704.230.2.....	80	704.300.000I.....	32	704.409.0I.....	107	704.600.2.....	129	704.703.7.....	124	704.902.1.....	140
704.230.208.....	17	704.300.008.....	34	704.410.0.....	97	704.600.3.....	129	704.706.7.....	124	704.902.2.....	140
704.230.4.....	80	704.300.008.12.....	36	704.410.0.12.....	99	704.600.5/A.....	129	704.707.7.....	124	704.902.3.....	140
704.230.408.....	17	704.300.008I.....	32	704.410.0I.....	95	704.600.6.....	128	704.707.7.....	126	704.902.4.....	140
704.230.5.....	80	704.300.0I.....	100	704.411.0.....	97	704.600.7.....	128	704.708.7.....	126	704.902.5.....	140
704.230.508.....	17	704.300.100KN.....	49	704.411.0.12.....	99	704.600.9.....	128	704.709.7.....	123	704.905.1.....	139
704.230.6.....	80	704.300.108KN.....	49	704.411.010.....	30	704.601.0.....	122	704.709.9.....	123	704.905.1/D.....	139
704.230.608.....	17	704.300.1KN.....	117	704.411.010.12.....	31	704.601.01.....	123	704.730.0.....	60	704.905.2.....	139
704.230.7.....	80	704.300.1KNI.....	116	704.411.010I.....	28	704.601.10.....	122	704.730.0.....	68	704.905.2/D.....	139
704.230.708.....	17	704.302.0.....	102	704.411.010KN.....	47	704.601.101.....	123	704.730.1.....	60	704.905.3.....	139
704.239.0.....	76	704.302.000.....	34	704.411.010KNI.....	46	704.601.2.....	122	704.730.1.....	68	704.905.3/D.....	139
704.239.000.....	13	704.302.000I.....	32	704.411.018.....	30	704.601.21.....	123	704.731.0.....	78	704.905.4.....	139
704.239.2.....	76	704.302.008.....	34	704.411.018.12.....	31	704.601.4.....	122	704.731.0.....	83	704.905.4/D.....	139
704.239.200.....	13	704.302.008I.....	32	704.411.018I.....	28	704.601.41.....	123	704.731.1.....	78	704.905.5.....	139
704.239.400.....	13	704.302.0I.....	100	704.411.018KN.....	47	704.601.5.....	122	704.731.1.....	83	704.905.5/D.....	139
704.239.5.....	76	704.333.0.....	92	704.411.018KNI.....	46	704.601.51.....	123	704.732.0.....	78	704.907.1.....	138
704.239.600.....	13	704.333.000.....	25	704.411.0B.12.....	99	704.601.6.....	122	704.732.0.....	83	704.907.2.....	138
704.239.7.....	76	704.333.008.....	25	704.411.0I.....	95	704.601.61.....	123	704.732.1.....	78	704.907.3.....	138
		704.334.0.....	92	704.411.110KN.....	47	704.601.8.....	122	704.732.1.....	83	704.907.4.....	138

Part No.	Page	Part No.	Page	Part No.	Page
704.907.5.....	138	704.917.4FS.....	145	704.960.5.....	134
704.908.1.....	138	704.917.5.....	138	704.960.8.....	163
704.908.2.....	138	704.917.5.....	142	704.960.8A.....	163
704.908.3.....	138	704.918.1.....	138	704.960.9.....	165
704.908.4.....	138	704.918.1.....	142	704.963.0.....	159
704.908.5.....	138	704.918.2.....	138	704.963.1.....	159
704.910.1.....	140	704.918.2.....	142	704.963.2.....	159
704.910.1.....	143	704.918.3.....	138	704.963.3.....	159
704.910.1B.....	141	704.918.3.....	142	704.963.4.....	159
704.910.2.....	140	704.918.4.....	138	704.963.5.....	159
704.910.2.....	143	704.918.4.....	142	704.963.6.....	159
704.910.2B.....	141	704.918.4FS.....	145	704.963.7.....	159
704.910.3.....	140	704.918.5.....	138	704.963.8.....	159
704.910.3.....	143	704.918.5.....	142	704.963.9.....	159
704.910.3B.....	141	704.925.0.....	131	704.964.5.....	148
704.910.4.....	140	704.925.2.....	131	704.964.7.....	132
704.910.4.....	143	704.925.3.....	131	704.964.8.....	132
704.910.4B.....	141	704.925.7.....	130	704.964.9.....	132
704.910.4BFS.....	144	704.925.8.....	129	704.965.1.....	149
704.910.4FS.....	144	704.925.9.....	129	704.965.2.....	149
704.910.5.....	140	704.927.6.....	161	704.965.3.....	149
704.910.5.....	143	704.927.6A.....	161	704.965.4.....	149
704.910.5B.....	141	704.927.6B.....	161	704.965.5.....	149
704.911.1.....	140	704.927.6C.....	161	704.965.6.....	149
704.911.1.....	143	704.927.8.....	160	704.965.7.....	149
704.911.2.....	140	704.927.9.....	160	704.965.8.....	149
704.911.2.....	143	704.928.18.....	130	704.965.9.....	149
704.911.3.....	140	704.928.28.....	130	704.966.0.....	149
704.911.3.....	143	704.928.38.....	130	704.966.1.....	149
704.911.3B.....	141	704.940.8.....	164	704.966.2.....	149
704.911.4.....	140	704.940.9.....	164	704.968.0.....	119
704.911.4.....	143	704.941.0.....	157	704.968.1.....	119
704.911.4/DFS.....	144	704.941.1.....	164	704.968.10.....	120
704.911.4B.....	141	704.941.5.....	157	704.968.11.....	120
704.911.4BFS.....	144	704.941.5P.....	157	704.968.12.....	120
704.911.4FS.....	144	704.941.9.....	158	704.968.13.....	120
704.911.5.....	140	704.942.5.....	155	704.968.2.....	119
704.911.5.....	143	704.942.5P.....	155	704.968.3.....	119
704.911.5B.....	141	704.943.0.....	133	704.968.4.....	120
704.912.1.....	140	704.943.1.....	133	704.968.5.....	120
704.912.1.....	143	704.943.2.....	133	704.970.3.....	156
704.912.3.....	140	704.943.2P.....	133	704.970.4.....	156
704.912.3.....	143	704.943.5.....	133	704.970.5.....	156
704.912.4.....	140	704.945.0.....	162	704.970.6.....	156
704.912.4.....	143	704.945.1.....	167	704.989.251.....	131
704.912.5.....	140	704.945.2.....	167	704.990.0.....	166
704.912.5.....	143	704.945.3.....	167	704.990.1.....	149
704.915.1.....	139	704.945.4.....	167	98-968.....	165
704.915.1.....	142	704.945.5.....	167	IK 07.....	161
704.915.1/D.....	139	704.945.6.....	162	IK 07.....	161
704.915.1/D.....	143	704.945.6.....	166	IK 07.....	161
704.915.2.....	139	704.945.7.....	162	IK 07.....	161
704.915.2.....	142	704.945.8.....	162		
704.915.2/D.....	139	704.950.0.....	135		
704.915.2/D.....	143	704.950.0B.....	135		
704.915.3.....	139	704.950.1.....	135		
704.915.3.....	142	704.950.1/D.....	135		
704.915.3/D.....	139	704.950.2/D.....	135		
704.915.3/D.....	143	704.950.3.....	135		
704.915.4.....	139	704.950.5.....	134		
704.915.4.....	142	704.951.0.....	136		
704.915.4/D.....	139	704.951.1.....	136		
704.915.4/D.....	143	704.951.1/D.....	136		
704.915.4/DFS.....	144	704.951.3.....	136		
704.915.4FS.....	144	704.952.129.3.....	137		
704.915.5.....	139	704.952.159.3.....	137		
704.915.5.....	142	704.953.0.....	128		
704.915.5/D.....	139	704.954.0.....	163		
704.915.5/D.....	143	704.955.0.....	126		
704.917.1.....	138	704.955.1.....	126		
704.917.1.....	142	704.955.10.....	126		
704.917.2.....	138	704.955.3.....	127		
704.917.2.....	142	704.955.4.....	127		
704.917.3.....	138	704.955.9.....	126		
704.917.3.....	142	704.955.9E.....	127		
704.917.4.....	138	704.960.0.....	163		
704.917.4.....	142	704.960.4.....	132		